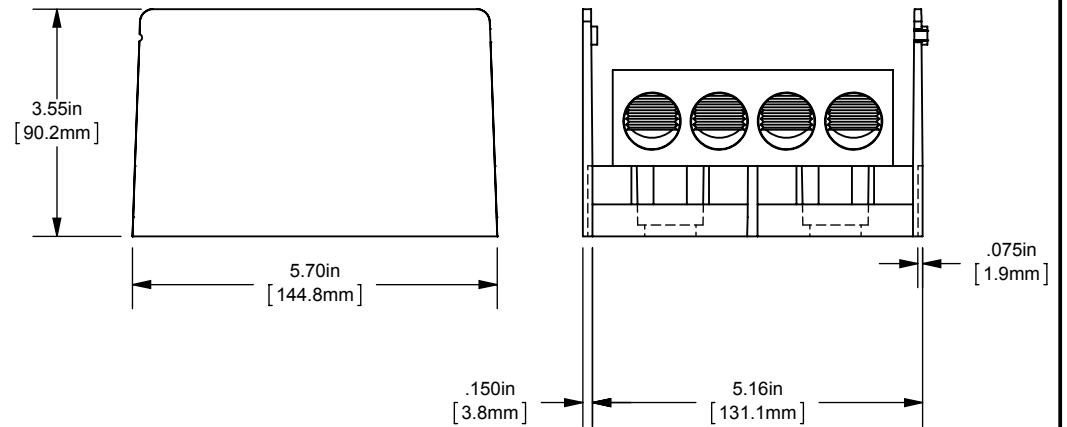
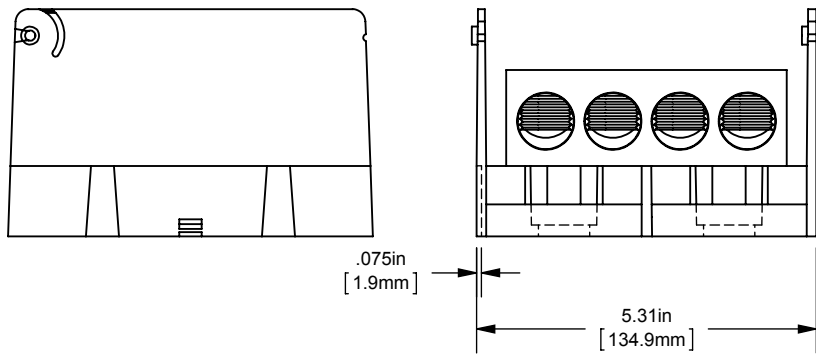
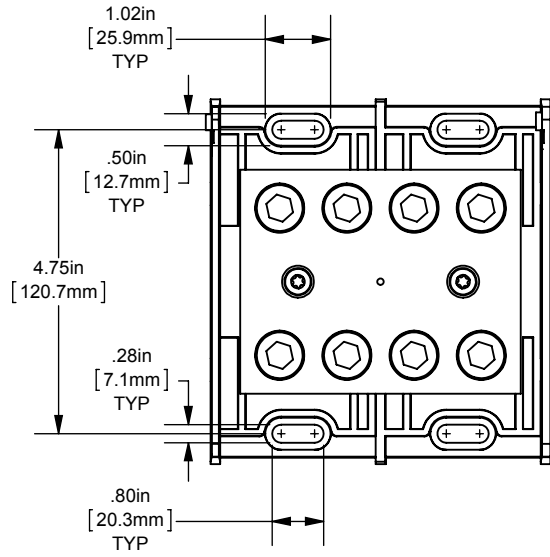


REV.	DATE	ECO	DESCRIPTION	BY	CK	APP
-	9/18/2013	N/A	INITIAL RELEASE	GDR	N/A	N/A



DIMENSIONS IN [ ] ARE MILLIMETERS



MERSEN USA NEWBURYPORT-MA, LLC  
 374 MERRIMAC STREET  
 NEWBURYPORT, MA 01950

MPDB800031

PDB COPPER LARGE DOUBLE WIDE

(4) 500-4 X (4) 500-4

OUTLINE DIMENSIONS  
 NOT TO BE USED FOR PRODUCTION

702015

PRODUCT MANAGER

SIGN:

DATE:

DESIGN ENGINEER

SIGN:

DATE: (SEE ECO)