

NH Fuse System

Product Guide



NH Fuse System

NH Fuse System

p. 2

MULTIBLOC® NH-fuse switch disconnecter

GP050 p. 3 to 73

MULTIVERT® NH-vertical fuse switch disconnecter

GP088 p. 74 to 124

BSL – NH-fuse rail with touch protection

p. 125 to 135



MULTIVERT®

MULTIVERT® NH-vertical fuse switch disconnecter

p. 74

MULTIVERT® size 00 - 160A 690VAC

p. 75 to 89

MULTIVERT® size 1 - 250A, size 2 - 400A, size 3 - 630A 690VAC

p. 90 to 112

MULTIVERT® NH-double vertical switch disconnecter

p. 113 to 117

MULTIVERT® main incomer

p. 118 to 120

MULTIVERT® size 4a 1250A, 1600A

p. 121 to 124

MULTIVERT® 160A

MULTIVERT® 160A/60mm 1 x triple pole switching NH-vertical fuse switch disconnecter, size 00, 160A, 690VAC



in accordance with IEC/EN 60 947-3.

For NH-fuse links size 000/00 in accordance with IEC/EN 60 269-2, VDE 0636-2.

- Installation on to 60mm bus bar system
- Design for bottom or top cable terminal connection
- Touch protection IP30 with central cover
- Parking position of switch operating cover even with fuse links inserted
- Varieties of cable termination: screw, clamp strap, AlCu clamp, frame clamp, V-terminal
- Electronic fuse monitoring or indicator for switch door position - optional



1.000.909



1.003.307

MULTIVERT® 160A		size 00	60mm bus bar system	1 x triple pole switching	
article number	reference number	cable termination components	design	weight kg ¹⁾	package
1.000.909	E1002183A	3 M8 terminal screws/3 clamp straps 4-70mm ²	bottom terminal with cover shroud MZ00KH	1.45	1 piece
1.002.489	Z1023154A	3 frame clamps Cu 2,5-70mm ²	bottom terminal with cover shroud MZ00KH	1.30	1 piece
1.003.140	A1023155A	3 M8 terminal screws/3 clamp straps 4-70mm ²	bottom terminal MULTIVERT® 1.000.909 with cabling of instrument leads	1.50	1 piece
1.003.307	C1023157A	3 M8 terminal screws/3 clamp straps 4-70mm ²	top terminal with cover shroud MZ00KH	1.50	1 piece
1.003.309	E1023159A	3 frame clamps Cu 2,5-70mm ²	top terminal with cover shroud MZ00KH	1.30	1 piece
1.003.308	D1023158A	3 M8 terminal screws/3 clamp straps 4-70mm ²	top terminal MULTIVERT® 1.003.307 with cabling of instrument leads	1.50	1 piece

1) weight in kg per piece or set including package

MULTIVERT® 160A

MULTIVERT® 160A 1 x triple pole switching NH-vertical fuse switch disconnecter, size 00, 160A, 690VAC



in accordance with IEC/EN 60 947-3.

For NH-fuse links size 000/00 in accordance with IEC/EN 60 269-2, VDE 0636-2.

- Installation on to 100 and 185mm bus bar system
- Symmetrical switch - top/bottom cable terminal connection
- Touch protection IP30 with central cover
- Parking position of switch operating cover even with fuse links inserted
- Varieties of cable termination: screw, clamp strap, AlCu clamp, frame clamp, V-terminal
- Electronic fuse monitoring or indicator for switch door position - optional

MULTIVERT® NH-vertical fuse switch disconnecter



1.000.900



1.002.437
tyf



1.001.339

MULTIVERT® 160A size 00 100mm bus bar system 1 x triple pole switching

article number	reference number	cable termination components	design	weight kg ¹⁾	package
1.000.900	F1002184A	3 M8 terminal screws	with cover shroud MZ00KH	1.12	1 piece
1.000.901	X1023129A	3 clamp straps Cu 4-70mm ²	with cover shroud MZ00KH	1.12	1 piece
1.000.902	Z1023131A	3 Al/Cu clamps 1,5-70mm ²	with cover shroud MZ00KH	1.12	1 piece
1.000.903	A1023132A	with V-terminal for V-terminal clamps size 00	with cover shroud 1.000.915	1.12	1 piece
1.000.904	B1023133A	3 frame clamps Cu 2,5-70mm ²	with cover shroud MZ00KH	1.10	1 piece
1.000.905	G1002185A	3 M8 terminal screws	MULTIVERT® 1.000.900 with cabling of instrument leads	1.47	1 piece
1.000.906	C1023134A	3 clamp straps Cu 4-70mm ²	MULTIVERT® 1.000.901 with cabling of instrument leads	1.47	1 piece
1.000.907	D1023135A	3 Al/Cu clamps 1,5-70mm ²	MULTIVERT® 1.000.902 with cabling of instrument leads	1.47	1 piece
1.000.908	E1023136A	with V-terminal for V-terminal clamps size 00	MULTIVERT® 1.000.903 with cabling of instrument leads	1.47	1 piece
1.002.437	Y1023130A	3 frame clamps Cu 2,5-70mm ²	MULTIVERT® 1.000.904 with cabling of instrument leads	1.18	1 piece

MULTIVERT® 160A size 00 185mm bus bar system 1 x triple pole switching

article number	reference number	cable termination components	design	weight kg ¹⁾	package
1.001.339	Y1023153A	3 M8 terminal screws	including adjustment cover art.no. MZ00AAD and adapter 1.001.298	1.80	1 piece

1) weight in kg per piece or set including package

MULTIVERT® 160A 3 x single pole switching

NH-vertical fuse switch disconnecter, size 00, 160A, 690VAC



in accordance with IEC/EN 60 947-3.

For NH-fuse links size 000/00 in accordance with IEC/EN 60 269-2, VDE 0636-2.

- Installation on to 185mm bus bar system
- Symmetrical switch - top/bottom cable terminal connection
- Touch protection IP 30 with central cover
- Parking position of switch operating cover even with fuse links inserted
- Varieties of cable termination: screw, clamp strap, AlCu clamp, frame clamp, V-terminal
- Electronic fuse monitoring or indicator for switch door position - optional



M01N0G 1.001.725

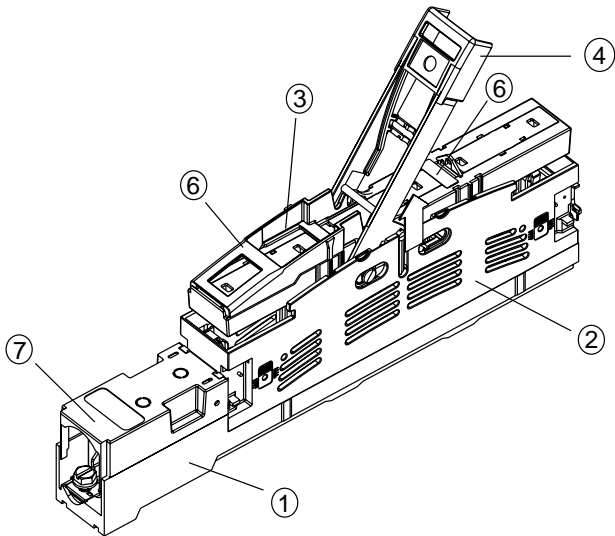
MULTIVERT® 160A size 00 185mm 3 x single pole switching

article number	reference number	cable termination components	design	weight kg ¹⁾	package
M01N0G	Y228756A	3 M8 terminal screws	with cover shroud MZ00KH	1.90	1 piece
M01S0G	X1023152A	3 clamp straps Cu 4-70mm ²	with cover shroud MZ00KH	1.90	1 piece
M01A0G	Q1023146A	3 Al/Cu clamps 1,5-70mm ²	with cover shroud MZ00KH	1.90	1 piece
1.000.910	G1023138A	with V-terminal for V-terminal clamps size 00	with cover shroud 1.000.915	1.90	1 piece
1.001.725	M1023143A	V-terminal with 3 V-terminal clamps size 00	with cover shroud 1.000.915	1.10	1 piece
M01N0E11G	R1023147A	3 M8 terminal screws	MULTIVERT® M01N0G with cabling of instrument leads	2.25	1 piece
M01S0E11G	W1023151A	3 clamp straps Cu 4-70mm ²	MULTIVERT® M01S0G with cabling of instrument leads	2.25	1 piece
M01A0E11G	P1023145A	3 Al/Cu clamps 1,5-70mm ²	MULTIVERT® M01A0G with cabling of instrument leads	2.25	1 piece
1.000.911	L1023142A	with V-terminal for V-terminal clamps size 00	MULTIVERT® 1.000.910 with cabling of instrument leads	2.25	1 piece

MULTIVERT® 160A

MULTIVERT® 160A 1 x triple pole switching NH-vertical fuse switch disconnecter

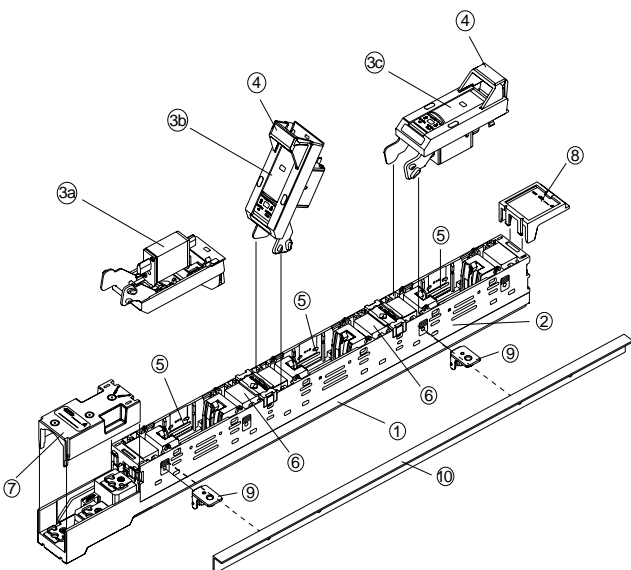
Dimensions
E 1.000.857



no.	article number	short description
1		Main base
2		Protection cover
3		Switch operating cover
4		Handle
5		-
6		Labelling area/label
7	MZ00KH	Cover shroud 106mm

MULTIVERT® 160A 3 x single pole switching MULTIVERT® 160A NH-vertical fuse switch disconnecter

Dimensions
E 1.002.098



no.	article number	short description
1		Main base
2		Protection cover
3		Switch operating cover: 3a. parking position; 3b. open; 3c closed
4		Handle
5		Bus bar fixing access/protective door
6		Labelling area/label
7	MZ00KH	Cover shroud 106mm
8	MZ00BT2	Label holder
9	MZAW	Support angle, 1 set = 4 pieces
10	1.001.510	cover shield, length 605mm, set=2 pieces

MULTIVERT® 160A

NH-vertical fuse switch disconnecter, size 00, 160A, 690VAC

Technical data in accordance with EN / IEC 60947

	160A, 60mm 1 x triple pole switching	160A, 100mm 1 x triple pole switching	160A, 185mm 1 x triple pole switching	160A, 185mm 3 x single pole switching
Installation mode	bus bar installation	bus bar installation	bus bar installation	bus bar installation
Size	00	00	00	00
Number of poles/phases	3	3	3	3
Conventional free air thermal current with NH-fuse links I_{th}	160A	160A	160A	160A
Max. power dissipation of NH-fuse links P_n	12W	12W	12W	12W
Conventional free air thermal current with solid links I_{th}	250A	250A	250A	200A
Max. power dissipation of solid links P_n	1,2W	1,2W	1,2W	1,2W
Utilization category to IEC/EN 60947-3 $U_e = AC 400V; I_e = 160A$ $U_e = AC 500V; I_e = 160A$ $U_e = AC 690V; I_e = 100A$ $U_e = AC 690V; I_e = 125A$	AC 23 B AC 22 B AC 21 B -	AC 23 B AC 22 B AC 21 B -	AC 23 B AC 22 B AC 21 B -	AC 22 B - - AC 20 B
Rated operational voltage U_e	690V	690V	690V	690V
Rated insulation voltage U_i	1000V	1000V	1000V	1000V
Rated impulse withstand voltage U_{imp}	8kV	8kV	8kV	4kV
Rated frequency	50 ... 60Hz	50 ... 60Hz	50 ... 60Hz	50 ... 60Hz
Degree of protection	IP30	IP30	IP30	IP20
Degree of pollution	3	3	3	3
Rated duty	uninterrupted duty	uninterrupted duty	uninterrupted duty	uninterrupted duty
Rated short circuit making capacity with solid links I_{cm}	4.5kAsw	4.5kAsw	4.5kAsw	6.3kAsw
Rated short circuit making capacity with fuse links $U_e = AC 400V; I_e = 160A$ $U_e = AC 500V; I_e = 160A$ $U_e = AC 690V; I_e = 100A$	80kA 80kA 50kA	80kA 80kA 50kA	80kA 80kA 50kA	- 50kA -
Rated short circuit withstand current I_{cw}	4.5kA / 1s	4.5kA / 1s	4.5kA / 1s	4.2kA / 1s
Power dissipation by I_{th} without NH-fuse links	20W	20W	20W	-
Power dissipation by I_{th} without solid links	49W	49W	49W	-
Cable terminal connection				
Standard cable terminal	M8	M8	M8	M8
for cable lugs Cu max.	70mm ²	70mm ²	70mm ²	70mm ²
for cable lugs Al max.	70mm ²	70mm ²	70mm ²	70mm ²
for copper bars with max. dimensions	20x5mm	20x5mm	20x5mm	20x5mm
V-shaped lugs for V-terminal clamps	10 - 95mm ²	10 - 95mm ²	10 - 95mm ²	10 - 95mm ²
Bus bar terminal connection				
Standard bus bar terminal	ready fitted hooked clamps	M8	clamp terminal via adapter	M8
Hooked clamp for bus bar with thickness	10mm	5 ... 10mm	5 ... 10mm	5 ... 10mm
Bus bar system	60mm	100mm	185mm	185mm
Bus bar thickness (bus bar system = 60mm)	20 ... 30mm	-	-	-

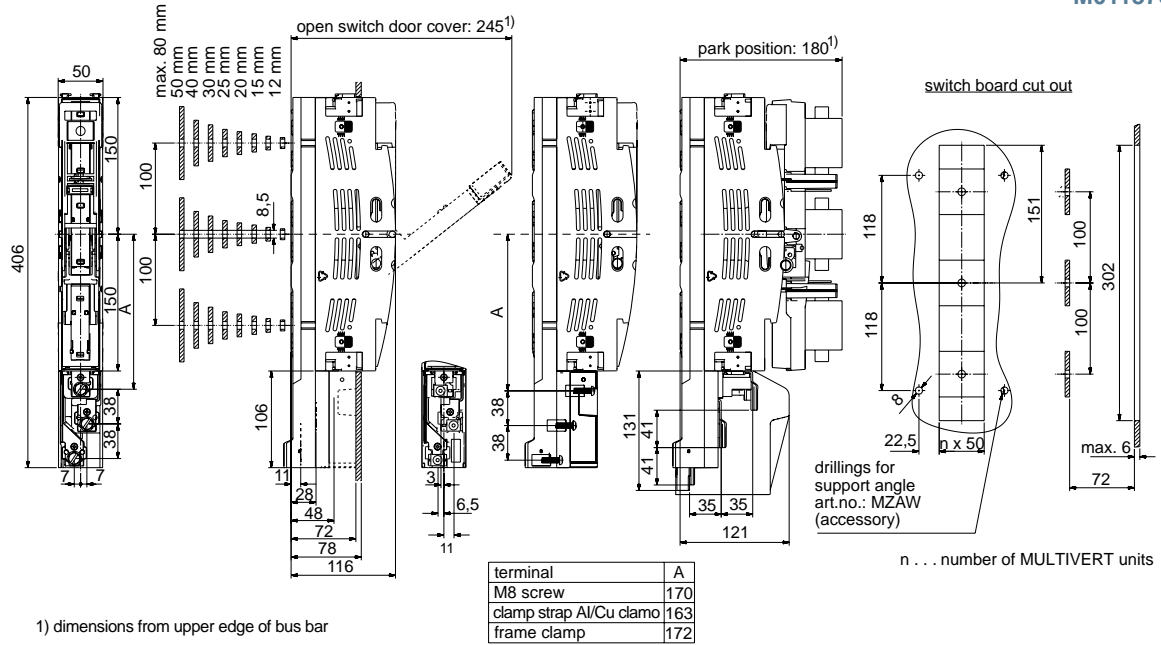
MULTIVERT® 160A

MULTIVERT® 160A/100mm triple pole switching

MULTIVERT® NH-vertical fuse switch disconnecter

160A/100mm direct installation with screws on to 100mm bus bar system

Dimensions
M01137c

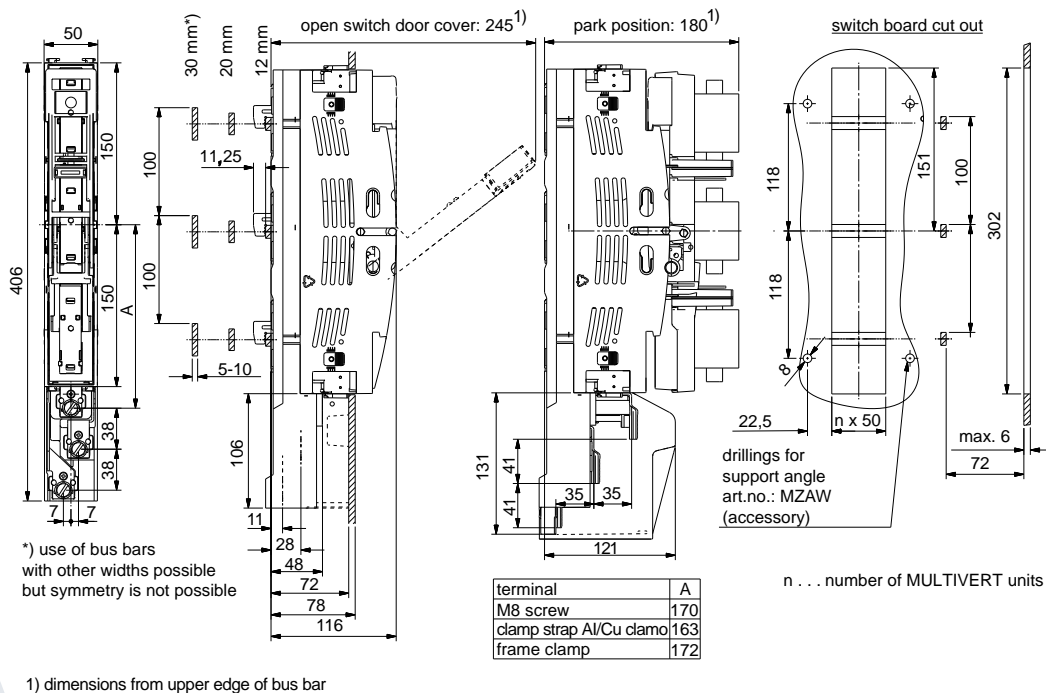


MULTIVERT® 160A/100mm triple pole switching

MULTIVERT® NH-vertical fuse switch disconnecter

160A/100mm direct installation without drilling with hooked clamps on to 100mm bus bar system

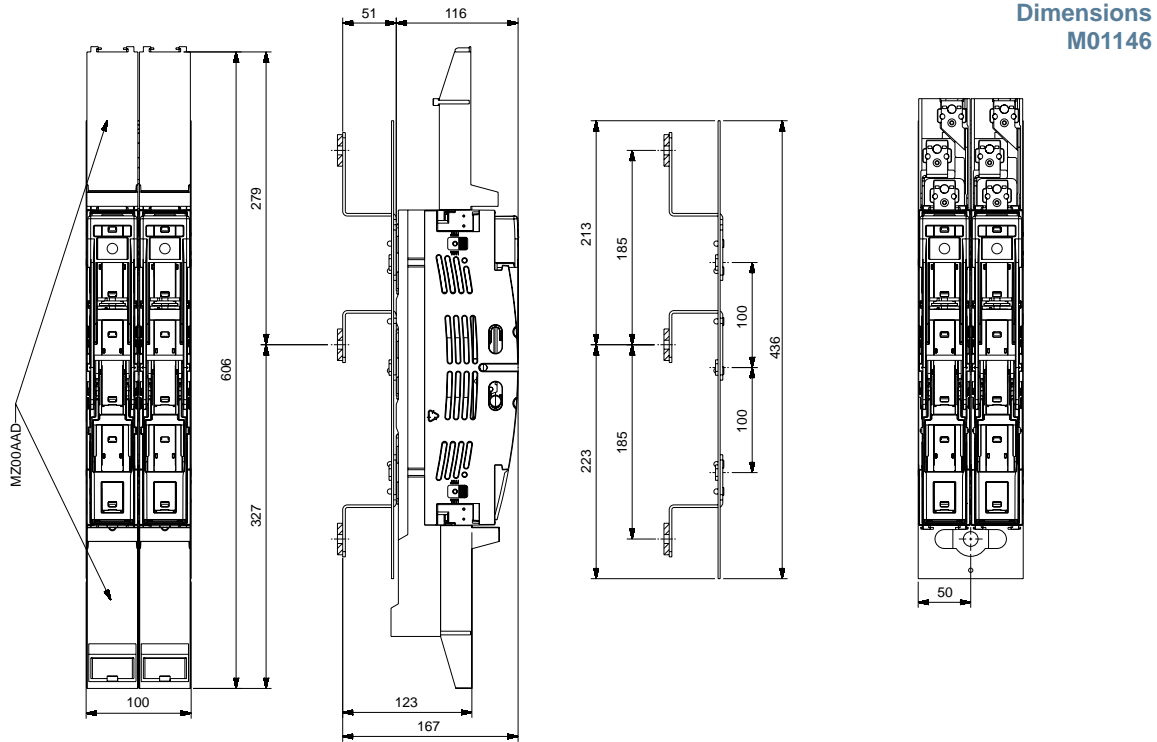
Dimensions
M01138c



MULTIVERT® 160A/185mm triple pole switching

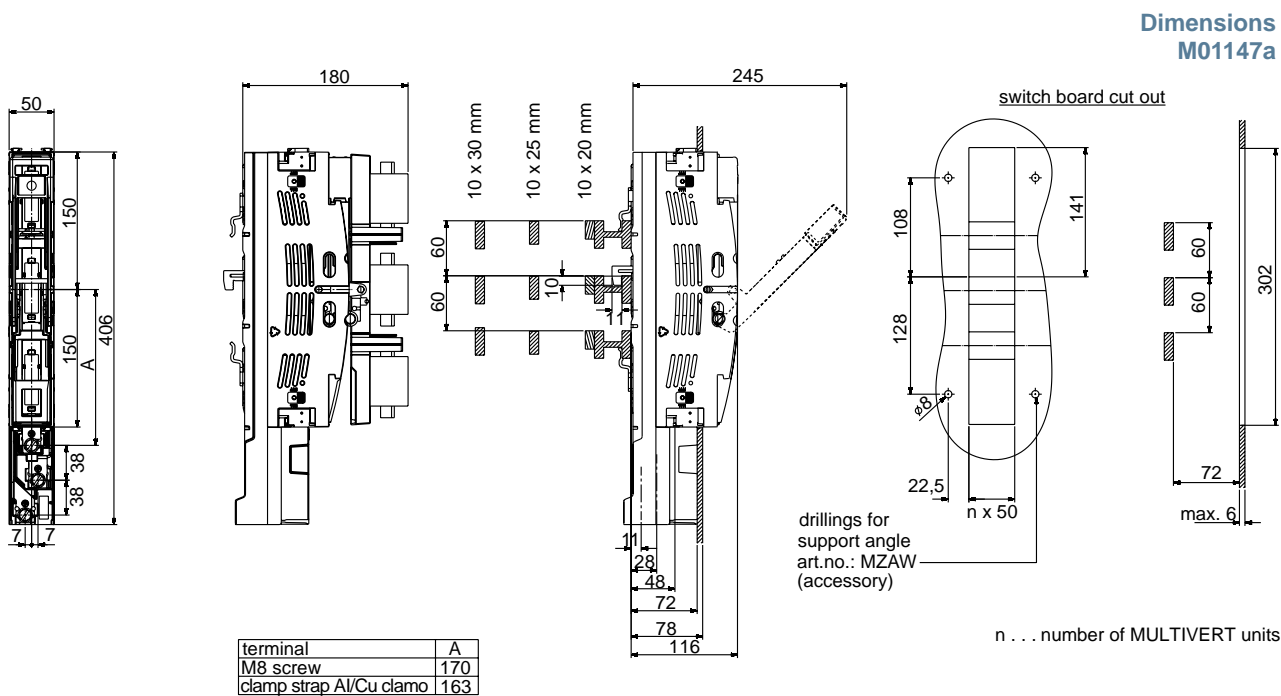
MULTIVERT® 160A/100mm NH-vertical fuse switch

disconnecter direct installation without drilling including adapter with hooked clamps for installation on to 185mm bus bar system



MULTIVERT® 160A/60mm triple pole switching

MULTIVERT® NH-vertical fuse switch disconnecter 160A/60mm direct installation without drilling on to 60mm bus bar system



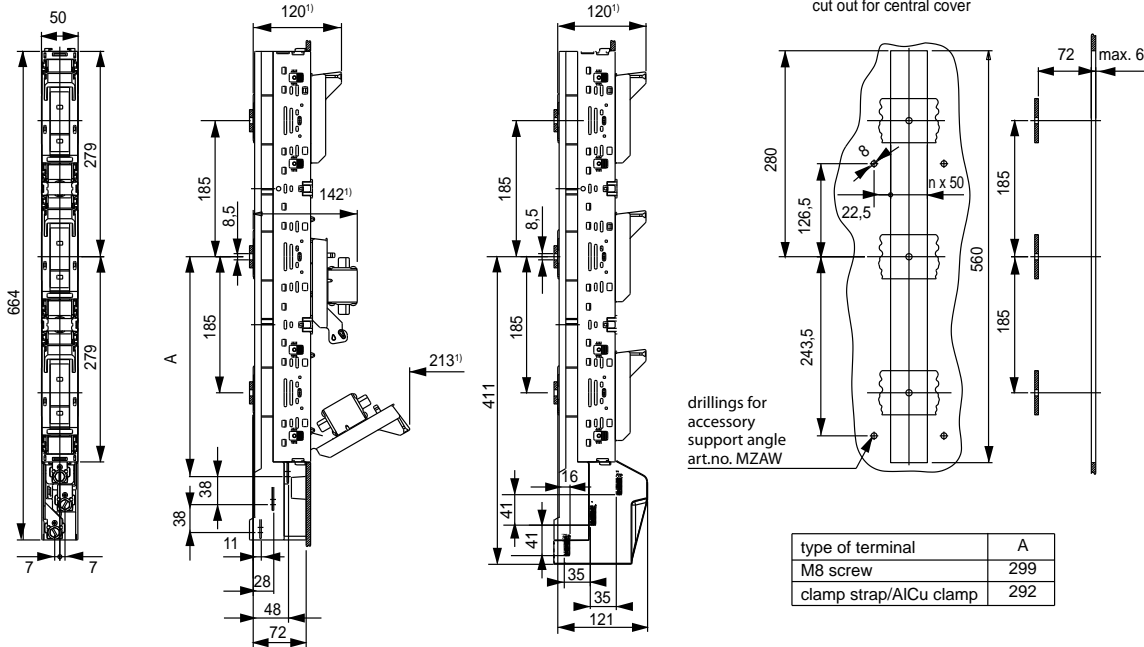
MULTIVERT® 160A

MULTIVERT® 160A/185mm single pole switching

MULTIVERT® 160A/185mm NH-vertical fuse switch

disconnecter direct installation with screws on to 185mm bus bar system

Dimensions
M01092b



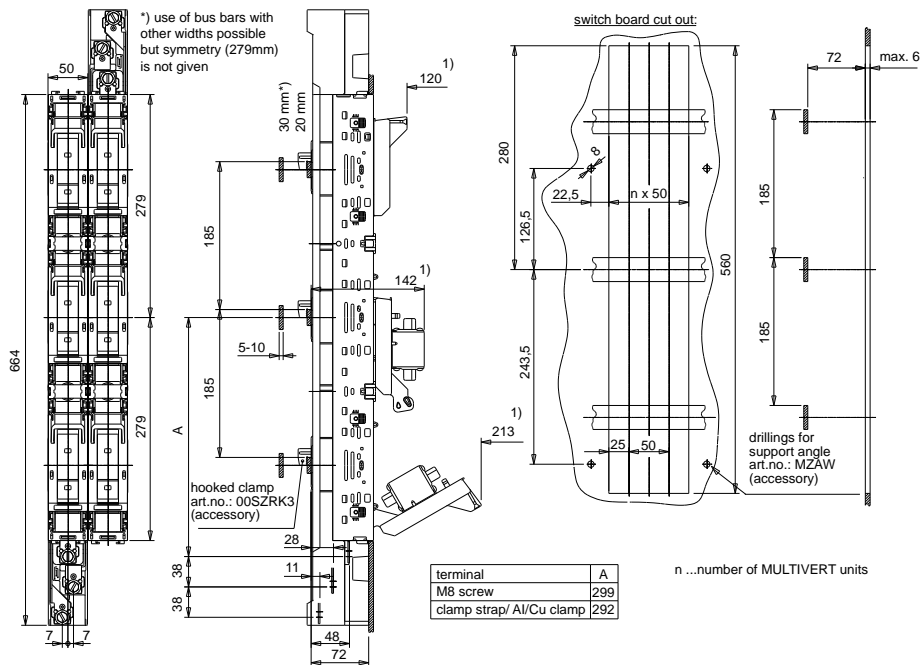
1) dimensions from upper edge of bus bar

n ... number of units

MULTIVERT® 160A/185mm single pole switching

MULTIVERT® 160A/185mm NH-vertical fuse switch disconnecter direct installation without drilling with hooked clamps on to 185mm bus bar system

Dimensions
M01093d



*) use of bus bars with other widths possible but symmetry (279mm) is not given

1) dimensions from upper edge of bus bar

n ... number of MULTIVERT units

MULTIVERT® 160A

Cable termination MULTIVERT® 160A

Dimensions
MA107d

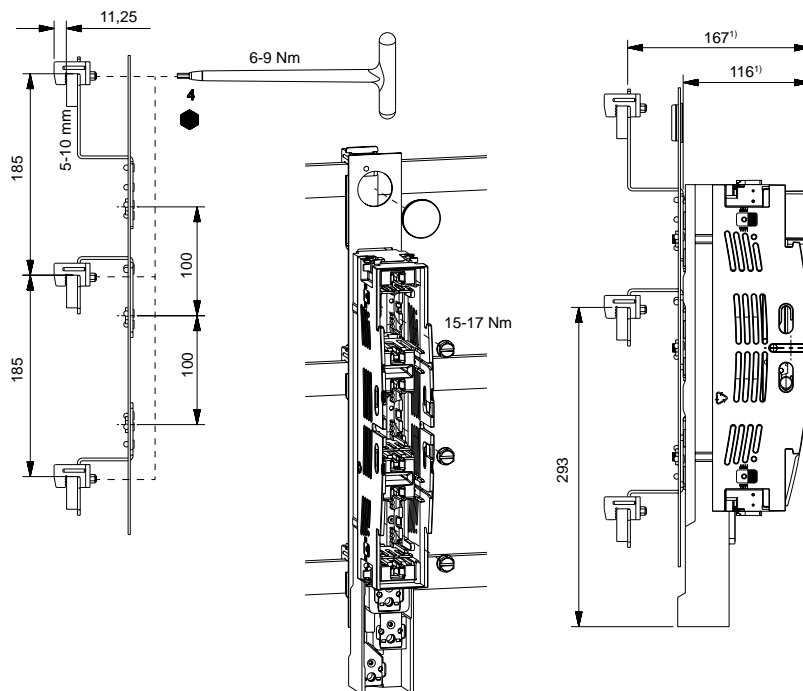
reference	N	S	A	V	R	K
article number	00SZS	00SZESK	00SZA70	00SZVK1 (accessory)	*)	1.003.433
type of terminal	screw	clamp strap	Al/Cu clamp	V-clamp	frame clamp	clamping block
cross section	Cu 16-17	Cu 4-70	Cu 1,5-70	Cu 10-50	Cu 2,5-70	Cu 1,5-16
[mm ²]	Al 16-95	-	Al 1,5-70/95 se	Al 35-70/95 se	-	-
M [Nm]	15-17	3-4	3-4	5-6	6	3,4

*) installed on to MULTIVERT 160A, 1x triple pole switching
art. no. 1.000.904 (for 100mm bus bar system) and art. no. 1.002.489 (for 60mm bus bar system)

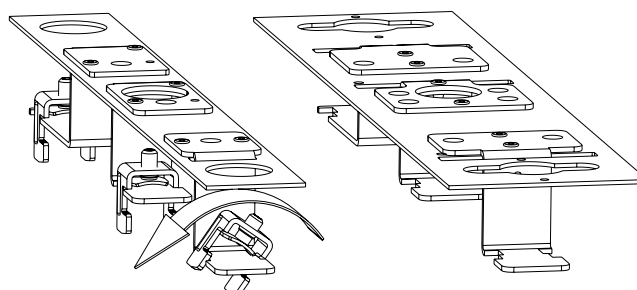
Adapter for MULTIVERT® 160A/100mm

Adapter size 00 for direct installation without drilling on to 185mm bus bar system

Dimensions
MA112b



1) dimensions from upper edge of bus bar



article number 1.001.298

article number 1.001.300

MULTIVERT® 160A

MULTIVERT® 160A

NH-vertical fuse switch disconnecter, size 00, 160A, 690VAC

Accessories

Cover/shrouds for cable termination

MULTIVERT® 160A



article number	reference number	design	weight kg ¹	package
MZ00KH	F1023298A	cover shroud length 106mm for MULTIVERT®/BSL 160A	0.02	1 piece
MZ00KA	L1023464A	extended cover shroud for cover shroud MZ00KH	0.04	1 piece
1.000.915	H1023300A	cover shroud for MULTIVERT®/BSL 160A with V-terminal	0.05	1 piece
1.000.914	E1023274A	rear cover for MULTIVERT®/BSL 160A with V-terminal	0.004	1 piece
MZ00KAD	G1023299A	cover shroud length 156mm for MULTIVERT®/BSL 160A	0.06	1 piece

Indication facilities

MULTIVERT® 160A



article number	reference number	design	weight kg ¹	package
1.002.939	Y1023452A	electronic fuse monitoring ESÜ size 00 for MULTIVERT® 160A with cabling of instrument leads	0.06	1 piece
MZ00ESM	D228761A	Electronic System Monitor ESM size 00 for MULTIVERT® 160A with cabling of instrument leads	0.35	1 piece
1.000.852	Q1002285A	indicator for switch door position micro switch, 1 change-over contact 5A, 250V	0.00	1 piece
MZHD	M1023442C	indicator for switch door position 1 "a" contact/ 1 "b" contact, 5A, 250V for MULTIVERT® 160A/bus bar system 185mm 3 x single pole switching	0.01	1 piece

MULTIVERT® 160A

NH-vertical fuse switch disconnecter, size 00, 160A, 690VAC

Accessories

MULTIVERT® 160A

Varieties of cable termination



article number	reference number	design	weight kg ¹	package
00SZS	M229298C	M8 terminal screw for switch gear size 00 1 set = 3 pieces	0.03	1 set
00SZESK	E214594C	clamp strap Cu 4-70mm ² for switch gear size 00 1 set = 3 pieces	0.04	1 set
00SZA70	R211523C	Al/Cu clamp 1,5-70mm ² for switch gear size 00 1 set = 3 pieces	0.08	1 set
1.001.857	P1022984C	Al/Cu clamp 1,5-95mm ² round stranded for switch gear size 00 1 set = 3 pieces	0.10	1 set
1.003.433	L1022958A	triple clamp per pole 1.5 up to 16mm ² 1 set = 3 pieces	-	1 piece
00SZVK1	D1023434A	V-terminal clamp size 00, 10-70mm ² round stranded, 10-95mm ² round solid, 35-95mm ² single stranded, 50-95mm ² single solid, M = 12Nm	0.04	1 piece
1.000.098	E1023435A	insulation cap for V-terminal clamp size 00	0.002	1 piece

Adapter for installation on to bus bars with clamp terminal

MULTIVERT® 160A



article number	reference number	design	application	weight kg ¹	package
1.001.289	C1023295A	single adapter 100/185mm with increased touch protection to obtain uniform profile in height for combined installation with MULTIVERT® 250A, 400A, 630A	MULTIVERT® 160A/100mm 1x3-pole	0.56	1 piece
1.001.298	Y1023291A	double adapter 100/185mm with increased touch protection to obtain uniform profile in height for combined installation with MULTIVERT® 250A, 400A, 630A	MULTIVERT® 160A/100mm 1x3-pole	0.80	1 piece
1.001.300	Z1023292A	double adapter 185/185mm with increased touch protection to obtain uniform profile in height for combined installation with MULTIVERT® 250A, 400A, 630A	MULTIVERT® 160A/185mm 1x3-pole	0.75	1 piece

MULTIVERT® 160A

MULTIVERT® 160A

NH-vertical fuse switch disconnecter, size 00, 160A, 690VAC



MZ00AAD



MZ01AS



MZAW



MZ00LPAP



MZ01LPAP



1.002.493



1.002.830

Accessories

Covers/level & system adjustment covers

MULTIVERT® 160A

article number	reference number	design	weight kg ¹	package
MZ00AAD	X214081A	2 piece adjustment, with integrated area for labeling to adapt to MULTIVERT® for 185mm bus bar system	0.10	1 set
MZ01AS	F228763A	adjustment to adapt to MULTIVERT® 250A, 400A, 630A (top terminal)	0.01	1 piece
MZAW	D218687D	support angle for support of cover plate 1 set = 4 pieces	0.03	1 set

Covers/spare way covers

MULTIVERT® 160A

article number	reference number	design	application	weight kg ¹	package
MZ00LPAP	B1023409A	spare way cover without level adjustment width 50mm, length 320mm for single adapter MZ00ESA and double adapter MZ00DSA including fixing material	bus bar system 100mm	0.05	1 piece
MZ01LPAP	C1023410A	spare way cover without level adjustment width 50mm, length 500mm including fixing material	bus bar system 185mm	0.06	1 piece
1.002.493	N1002283A	spare way cover width 50mm, length 630mm for covering of open installation spaces in distribution units with central cover	bus bar system 185mm	0.13	1 piece
1.002.830	E1023412A	spare way cover width 50mm, length 630mm with level adjustment 123mm for bus bar installation, set = cover + fixing set (2 distance pieces, 2 screw rivets)	bus bar system 185mm	0.20	1 set

MULTIVERT® 160A

NH-vertical fuse switch disconnecter, size 00, 160A, 690VAC



MZ00DSA MZ00ESA MZ00ESAECO



MZ01DSA MZ01ESA



1.000.106 1.000.107



1.000.100 1.000.101



MZ00BT2

Accessories

Adapter for installation on to bus bars with screw terminal

MULTIVERT® 160A

article number	reference number	design	application	weight kg ¹⁾	package
MZ00DSA	C217145A	double adapter 100/185mm with increased touch protection to obtain uniform profile in height for combined installation with MULTIVERT®/BSL 250A, 400A, 630A	MULTIVERT® 160A/100mm 1x3-pole	0.85	1 piece
MZ00ESA	Q216628A	single adapter 100/185mm with increased touch protection to obtain uniform profile in height for combined installation with MULTIVERT®/BSL 250A, 400A, 630A	MULTIVERT® 160A/100mm 1x3-pole	0.45	1 piece
MZ00ESAECO	D1023296A	Einfachadapter 100/185mm to obtain uniform profile in height for combined installation with MULTIVERT®/BSL 250A, 400A, 630A	MULTIVERT® 160A/100mm 1x3-pole	0.19	1 piece
MZ01DSA	G228764A	double adapter 185/185mm with increased touch protection to obtain uniform profile in height for combined installation with MULTIVERT®/BSL 250A, 400A, 630A	MULTIVERT® 160A/185mm 1x3-pole	0.70	1 piece
MZ01ESA	H228765A	single adapter 185/185mm (for installation of MULTIVERT®/BSL with screws M8) to obtain uniform profile in height for combined installation with MULTIVERT®/BSL 250A, 400A, 630A	MULTIVERT® 160A/185mm 1x3-pole	0.40	1 piece

Amperemeter units

MULTIVERT® 160A

article number	reference number	design	weight kg ¹⁾	package
1.000.106	R1023285A	size 00, 100A, with drag indicator, triple pole measurement (optional L1, L2, L3)	0.34	1 piece
1.000.107	S1023286A	size 00, 150A, with drag indicator, triple pole measurement (optional L1, L2, L3)	0.34	1 piece
1.000.100	K1023279A	size 00, 100A, with drag indicator, single pole measurement	0.34	1 piece
1.000.101	L1023280A	size 00, 150A, with drag indicator, single pole measurement	0.34	1 piece

Labelling facilities

MULTIVERT® 160A

article number	reference number	design	weight kg ¹⁾	package
MZ00BT2	K215611A	label holder size 00	0.01	1 piece

1) weight in kg per piece or set including package

MULTIVERT® 160A

MULTIVERT® 160A

NH-vertical fuse switch disconnecter, size 00, 160A, 690VAC



MZ00EM



MZEGK



00SZRK3



1.000.119 +
1.000.123



1.000.120 +
1.000.124

Accessories

Earthing unit

MULTIVERT® 160A

article number	reference number	design	weight kg ¹	package
MZ00EM	X1024578A	earthing link size 00	0.30	1 piece
MZEGK	V1024576A	complete earthing unit including 3 pieces earthing links	5.40	1 piece

Installation devices/bus bar installation

MULTIVERT® 160A

article number	reference number	design	weight kg ¹	package
00SZRK3	K215105C	hooked clamp size 00, M = 5Nm 1 set = 3 pieces	0.10	1 set
1.002.646	W1023450Y	M10 insert nut, size 00 1 set = 30 pieces	0.12	1 set

Current transformers in combination with adapter

MULTIVERT® 160A

article number	reference number	design	weight kg ¹⁾	package
1.000.121	F1024609A	current transformer for adapter for single pole measurement up to 100A set = 1 piece current transformer + 3 pieces distance tubes art.no. 1.000.125 for level adjustment, 1 piece installed, 2 pieces additionally packed	0.51	1 set
1.000.123	H1024611A	current transformer for adapter for single pole measurement up to 150A set = 1 piece current transformer + 3 pieces distance tubes art.no. 1.000.125 for level adjustment, 1 piece installed, 2 pieces additionally packed	0.52	1 set
1.000.122	G1024610A	current transformer for adapter for triple pole measurement up to 100A set = 3 pieces current transformer with distance tubes art.no. 1.000.125 for level adjustment 3 pieces installed	0.78	1 set
1.000.124	J1024612A	current transformer for adapter for triple pole measurement up to 150A set = 3 pieces current transformer with distance tubes art.no. 1.000.125 for level adjustment 3 pieces installed	0.81	1 set
1.000.125	V1024599C	distance tube for adapter for level adjustment supplementary set for neighbouring MULTIVERT® without measurement to obtain uniform profile in height 1 set = 3 pieces	0.37	1 set
1.000.117	R1023446A	single adapter 100/185mm for circuit transformer	0.34	1 piece
1.000.119	A1023293A	double adapter 100/185mm for circuit transformer	0.58	1 piece
1.000.120	B1023294A	double adapter 185/185mm for circuit transformer	0.56	1 piece

1) weight in kg per piece or set including package

MULTIVERT® 160A

NH-vertical fuse switch disconnecter, size 00, 160A, 690VAC



MZ003SW100



SZ1SW150



MZ00PR150

Accessories

Current transformers/external current transformers

MULTIVERT® 160A

article number	reference number	design	weight kg ¹⁾	package
MZ001SW100	C1024606A	current transformer up to 100A for single pole measurement between bus bar and MULTIVERT® set = 1 piece current transformer + 3 pieces distance tubes for level adjustment, 1 piece installed in the current transformer, 2 pieces additionally packed	0.55	1 set
MZ001SW150	E1024608A	current transformer up to 150A for single pole measurement between bus bar and MULTIVERT® set = 1 piece current transformer + 3 pieces distance tubes for level adjustment, 1 piece installed in the current transformer, 2 pieces additionally packed	0.55	1 set
MZ003SW100	B1024605A	current transformer up to 100A for triple pole measurement between bus bar and MULTIVERT® set = 3 pieces current transformer with distance tubes for level adjustment, 3 pieces installed in the current transformer	1.84	1 set
MZ003SW150	D1024607A	current transformer up to 150A for triple pole measurement between bus bar and MULTIVERT® set = 3 pieces current transformer with distance tubes for level adjustment, 3 pieces installed in the current transformer	1.85	1 set
SZ1SW100	H1024565A	current transformer up to 100A for single pole measurement between bus bars (incoming and outgoing bar)	0.32	1 piece
SZ1SW150	J1024566A	current transformer up to 150A for single pole measurement between bus bars (incoming and outgoing bar)	0.33	1 piece
MZ00PR150	R1024596C	distance tube for level adjustment, up to 150A, supplementary set for neighbouring MULTIVERT® without measurement to obtain uniform profile in height 1 set = 3 pieces	0.40	1 set

MULTIVERT® 250A, 400A, 630A

MULTIVERT® 250A

NH-vertical fuse switch disconnecter, size 1, 250A, 690VAC



in accordance with IEC/EN 60 947-3.

For NH-fuse links size 1 in accordance with IEC/EN 60 269-2, VDE 0636-2.

- Installation on to 185mm bus bar system
Standard design with M 12 screws: M = ±35 3Nm
Direct installation without drilling with hooked clamps
- Symmetrical switch - top/bottom cable terminal connection
- Touch protection IP 30 with central cover
- Varieties of cable termination: bolt, insert nut, V-terminal
- Design with integration of cabling and all instrument leads in the base for:
Electronic fuse monitoring ESÜ , Electroic System Monitor ESM,
electro-mechanic fuse monitoring (galvanic isolation) MZS
and all measuring devices (e.g. ampere meter and volt meter)
- Integrated measuring transformer (optional) with unchanged installation depth

MULTIVERT® NH-vertical fuse switch disconnecter



1.100.000

MULTIVERT® 250A size 1 185mm 3 x single pole switching

article number	reference number	cable termination components	design	weight kg ¹	package
1.100.000	H1002186A	3 M12 bolts	-	4.52	1 piece
1.110.000	J1023163A	3 M10 insert nuts	-	4.46	1 piece
1.120.000	K1023164A	V-terminal for V-terminal clamps size 1,2,3	-	4.38	1 piece
1.120.900	Q1023169A	V-terminal, 2 terminals per phase for V-terminal clamps size 1,2,3	-	5.50	1 piece
1.100.083	N1023167A	3 M12 bolts	MULTIVERT® 1.100.000 with integrated C.T. 250/5A, 3,75VA, class 1 for single pole measurement (ready fitted in pole 1) with cabling of instrument leads	4.60	1 piece
1.100.062	L1023165A	3 M12 bolts	MULTIVERT® 1.100.000 with integrated C.T. 250/5A, 3,75VA, class 1, calibrated, for single pole measurement (ready fitted in pole 1) with cabling of instrument leads	-	1 piece
1.100.093	P1023168A	3 M12 bolts	MULTIVERT® 1.100.000 with integrated C.T. 250/5A, 3,50VA, class 1 for triple pole measurement with cabling of instrument leads	5.30	1 piece
1.100.072	M1023166A	3 M12 bolts	MULTIVERT® 1.100.000 with integrated C.T. 250/5A, 3,50VA, class 1, calibrated, for triple pole measurement with cabling of instrument leads	-	1 piece

MULTIVERT® 250A

NH-vertical fuse switch disconnecter, size 1, 250A, 690VAC



1.160.000

MULTIVERT® 250A			size 1	185mm	1 x triple pole switching	
article number	reference number	cable termination components	design	weight kg ¹	package	
1.150.000	L1002189A	3 M12 bolts	-	4.67	1 piece	
1.160.000	S1023171A	3 M10 insert nuts	-	4.63	1 piece	
1.170.000	H1023185A	V-terminal for V-terminal clamps size 1,2,3	-	4.55	1 piece	
1.170.600	K1023187A	V-terminal with 3 terminal clamps size 1,2,3	-	4.60	1 piece	
1.170.900	M1023189A	V-terminal, 2 terminals per phase for V-terminal clamps size 1,2,3	-	5.80	1 piece	
1.150.100	P1002192A	3 M12 bolts	MULTIVERT® 1.150.000 with cabling of instrument leads	5.10	1 piece	
1.150.083	R1023193A	3 M12 bolts	MULTIVERT® 1.150.000 with integrated C.T. 250/5A, 3,75VA, class 1 for single pole measurement (ready fitted in pole 1) with cabling of instrument leads	4.80	1 piece	
1.150.062	N1023190A	3 M12 bolts	MULTIVERT® 1.150.000 with integrated C.T. 250/5A, 3,75 VA, class 1, calibrated, for single pole measurement (ready fitted in pole 1) with cabling of instrument leads	-	1 piece	
1.150.091	S1023194A	3 M12 bolts	MULTIVERT® 1.150.000 with integrated C.T. 100/5A, 2,00VA, class 1 for triple pole measurement with cabling of instrument leads	5.40	1 piece	
1.150.093	T1023195A	3 M12 bolts	MULTIVERT® 1.150.000 with integrated C.T. 250/5A, 3,50VA, class 1 for triple pole measurement, cabling of instrument leads	5.40	1 piece	
1.150.072	P1023191A	3 M12 bolts	MULTIVERT® 1.150.000 with integrated C.T. 250/5A, 3,50VA, class 1, calibrated, for triple pole measurement, cabling of instrument leads	-	1 piece	

MULTIVERT® NH-vertical fuse switch disconnecter

MULTIVERT® 250A, 400A, 630A

MULTIVERT® 400A

NH-vertical fuse switch disconnecter, size 2, 400A, 690VAC



in accordance with IEC/EN 60 947-3.

For NH-fuse links size 2 in accordance with IEC/EN 60 269-2, VDE 0636-2.

- Installation on to 185mm bus bar system
Standard design with M 12 screws: M = ±35 3Nm
Direct installation without drilling with hooked clamps
- Symmetrical switch - top/bottom cable terminal connection
- Touch protection IP30 with central cover
- Varieties of cable termination: bolt, insert nut, V-terminal
- Design with integration of cabling and all instrument leads in the base for:
Electronic fuse monitoring ESÜ, Electroic System Monitor ESM,
electro-mechanic fuse monitoring (galvanic isolation) MZS
and all measuring devices (e.g. ampere meter and volt meter)
- Integrated measuring transformer (optional) with unchanged installation depth

MULTIVERT® NH-vertical fuse switch disconnecter



1.210.000

MULTIVERT® 400A		size 2	185mm	3 x single pole switching	
article number	reference number	cable termination components	design	weight kg ¹	package
1.200.000	J1002187A	3 M10 bolts	-	4.60	1 piece
1.210.000	Z1023200A	3 M12 insert nuts	-	4.52	1 piece
1.220.000	A1023201A	V-terminal for V-terminal clamps size 1,2,3	-	4.38	1 piece
1.220.900	B1023202A	V-terminal, 2 terminals per phase for V-terminal clamps size 1,2,3	-	5.45	1 piece
1.200.100	Y1023199A	3 M10 bolts	MULTIVERT® 1.200.000 with cabling of instrument leads	5.10	1 piece
1.200.084	E1023205A	3 M10 bolts	MULTIVERT® 1.200.000 with integrated C.T. 400/5A, 3,75VA, class 1 for single pole measurement (ready fitted in pole 1) with cabling of instrument leads	4.70	1 piece
1.200.064	C1023203A	3 M10 bolts	MULTIVERT® 1.200.000 with integrated C.T. 400/5A, 3,75VA, class 1, calibrated, for single pole measurement (ready fitted in pole 1) with cabling of instrument leads	-	1 piece
1.200.094	F1023206A	3 M10 bolts	MULTIVERT® 1.200.000 with integrated C.T. 400/5A, 3,75VA, class 1 for triple pole measurement with cabling of instrument leads	5.40	1 piece
1.200.074	D1023204A	3 M10 bolts	MULTIVERT® 1.200.000 with integrated C.T. 400/5A, 3,75VA, class 1, calibrated, for triple pole measurement with cabling of instrument leads	-	1 piece
1.230.000	T1023218A	M12 bus bar terminal	MULTIVERT® with lateral bus bar terminals bus bar coupler switch cable terminal connection to right or left side possible	4.46	1 piece

MULTIVERT® 400A

NH-vertical fuse switch disconnecter, size 2, 400A, 690VAC



1.270.900



1.270.094
tył

MULTIVERT® 400A size 2 185mm 1 x triple pole switching

article number	reference number	cable termination components	design	weight kg ¹	package
1.250.000	M1002190A	3 M10 bolts	-	4.76	1 piece
1.260.000	G1023207A	3 M12 insert nuts	-	4.68	1 piece
1.270.000	H1023208A	V-terminal for V-terminal clamps size 1,2,3	-	4.78	1 piece
1.270.600	K1023210A	V-terminal + 3 V-terminal clamps size 1,2,3	-	4.70	1 piece
1.270.900	L1023211A	V-terminal, 2 terminals per phase for V-terminal clamps size 1,2,3	-	6.08	1 piece
1.250.100	X1002199A	3 M10 bolts	MULTIVERT® 1.250.000 with cabling of instrument leads	5.20	1 piece
1.270.100	J1023209A	V-terminal for V-terminal clamps size 1,2,3	MULTIVERT® 1.270.000 with cabling of instrument leads	5.10	1 piece
1.250.084	P1023214A	3 M10 bolts	MULTIVERT® 1.250.000 with integrated C.T. 400/5A, 3,75VA, class 1 for single pole measurement (ready fitted in pole 1) with cabling of instrument leads	4.90	1 piece
1.250.064	M1023212A	3 M10 bolts	MULTIVERT® 1.250.000 with integrated C.T. 400/5A, 3,75VA, class 1, calibrated, for single pole measurement (ready fitted in pole 1) with cabling of instrument leads	-	1 piece
1.250.094	Q1023215A	3 M10 bolts	MULTIVERT® 1.250.000 with integrated C.T. 400/5A, 3,75VA, class 1 for triple pole measurement with cabling of instrument leads	5.60	1 piece
1.250.074	N1023213A	3 M10 bolts	MULTIVERT® 1.250.000 with integrated C.T. 400/5A, 3,75VA, class 1, calibrated, for triple pole measurement with cabling of instrument leads	-	1 piece
1.270.094	S1023217A	V-terminal for V-terminal clamps size 1,2,3	MULTIVERT® 1.270.000 with integrated C.T. 400/5A, 3,75VA, class 1 for triple pole measurement with cabling of instrument leads	5.41	1 piece
1.270.074	R1023216A	V-terminal for V-terminal clamps size 1,2,3	MULTIVERT® 1.270.000 with integrated C.T. 400/5A, 3,75VA, class 1, calibrated, for triple pole measurement with cabling of instrument leads	-	1 piece
1.280.000	V1023219A	M12 bus bar terminal	MULTIVERT® with lateral bus bar terminals bus bar coupler switch cable terminal connection to right or left side possible	4.53	1 piece

MULTIVERT® NH-vertical fuse switch disconnecter

1) weight in kg per piece or set including package

MULTIVERT® 250A, 400A, 630A

MULTIVERT® 630A

NH-vertical fuse switch disconnecter, size 3, 630A, 690VAC



in accordance with IEC/EN 60 947-3.

For NH-fuse links size 3 in accordance with IEC/EN 60 269-2, VDE 0636-2.

- Installation on to 185mm bus bar system
Standard design with M 12 screws: M = ±35 3Nm
Direct installation without drilling with hooked clamps
- Symmetrical switch - top/bottom cable terminal connection
- Touch protection IP 30 with central cover
- Varieties of cable termination: bolt, insert nut, V-terminal
- Design with integration of cabling and all instrument leads in the base for:
Electronic fuse monitoring ESÜ , Electroic System Monitor ESM,
electro-mechanic fuse monitoring (galvanic isolation) MZS
and all measuring devices (e.g. ampere meter and volt meter)
- Integrated measuring transformer (optional) with unchanged installation depth

MULTIVERT® NH-vertical fuse switch disconnecter



1.300.000

MULTIVERT® 630A size 3 185mm 3 x single pole switching

article number	reference number	cable termination components	design	weight kg ¹	package
1.300.000	K1002188A	3 M10 bolts	-	5.43	1 piece
1.310.000	W1023220A	3 M12 insert nuts	-	5.38	1 piece
1.320.000	X1023221A	V-terminal for V-terminal clamps size 1,2,3	-	5.21	1 piece
1.320.900	Y1023222A	V-terminal, 2 terminals per phase for V-terminal clamps size 1,2,3	-	6.89	1 piece
1.300.100	W1027153A	3 M10 bolts	MULTIVERT® 1.200.000 with cabling of instrument leads	5.10	1 piece
1.300.085	A1023247A	3 M10 bolts	MULTIVERT® 1.300.000 with integrated C.T. 600/5A, 5,00VA, class 1 for single pole measurement (ready fitted in pole 1) with cabling of instrument leads	5.60	1 piece
1.300.066	Z1023223A	3 M10 bolts	MULTIVERT® 1.300.000 with integrated C.T. 600/5A, 5,00VA, class 1, calibrated, for single pole measurement (ready fitted in pole 1) with cabling of instrument leads	-	1 piece
1.300.095	B1023248A	3 M10 bolts	MULTIVERT® 1.300.000 with integrated C.T. 600/5A, 5,00VA, class 1 for triple pole measurement with cabling of instrument leads	6.30	1 piece
1.300.076	Z1023246A	3 M10 bolts	MULTIVERT® 1.300.000 with integrated C.T. 600/5A, 5,00VA, class 1, calibrated, for triple pole measurement with cabling of instrument leads	-	1 piece
1.330.000	Q1023261A	M12 bus bar terminal	MULTIVERT® with lateral bus bar terminals bus bar coupler switch cable terminal connection to right or left side possible	6.10	1 piece

MULTIVERT® 630A

NH-vertical fuse switch disconnecter, size 3, 630A, 690VAC



1.370.000

MULTIVERT® 630A size 3 185mm 1 x triple pole switching

article number	reference number	cable termination components	design	weight kg ¹	package
1.350.000	N1002191A	3 M10 bolts	-	5.59	1 piece
1.360.000	C1023249A	3 M12 insert nuts	-	5.52	1 piece
1.370.000	D1023250A	V-terminal for V-terminal clamps size 1,2,3	-	5.39	1 piece
1.370.900	F1023252A	V-terminal, 2 terminals per phase for V-terminal clamps size 1,2,3	-	7.05	1 piece
1.370.600	E1023251A	V-terminal + 3 V-terminal clamps	-	5.63	1 piece
1.350.100	Y1002200A	3 M10 bolts	MULTIVERT® 1.350.000 with cabling of instrument leads	6.10	1 piece
1.370.100	G1023253A	V-terminal for V-terminal clamps size 1,2,3	MULTIVERT® 1.370.000 with cabling of instrument leads	5.90	1 piece
1.350.085	K1023256A	3 M10 bolts	MULTIVERT® 1.350.000 with integrated C.T. 600/5A, 5,00VA, class 1 for single pole measurement (ready fitted in pole 1) with cabling of instrument leads	5.80	1 piece
1.350.066	H1023254A	3 M10 bolts	MULTIVERT® 1.350.000 with integrated C.T. 600/5A, 5,00VA, class 1, calibrated, for single pole measurement (ready fitted in pole 1) with cabling of instrument leads	-	1 piece
1.350.095	L1023257A	3 M10 bolts	MULTIVERT® 1.350.000 with integrated C.T. 600/5A, 5,00VA, class 1 for triple pole measurement with cabling of instrument leads	6.50	1 piece
1.350.076	J1023255A	3 M10 bolts	MULTIVERT® 1.350.000 with integrated C.T. 600/5A, 5,00VA, class 1, calibrated, for triple pole measurement with cabling of instrument leads	-	1 piece
1.370.095	P1023260A	V-terminal for V-terminal clamps size 1,2,3	MULTIVERT® 1.370.000 with integrated C.T. 600/5A, 5,00 VA, class 1 for triple pole measurement with cabling of instrument leads	6.00	1 piece
1.370.076	M1023258A	V-terminal for V-terminal clamps size 1,2,3	MULTIVERT® 1.370.000 with integrated C.T. 600/5A, 5,00VA, class 1, calibrated, for triple pole measurement with cabling of instrument leads	-	1 piece
1.380.000	R1023262A	M12 bus bar terminal	MULTIVERT® with lateral bus bar terminals bus bar coupler switch cable terminal connection to right or left side possible	4.77	1 piece

MULTIVERT® NH-vertical fuse switch disconnecter

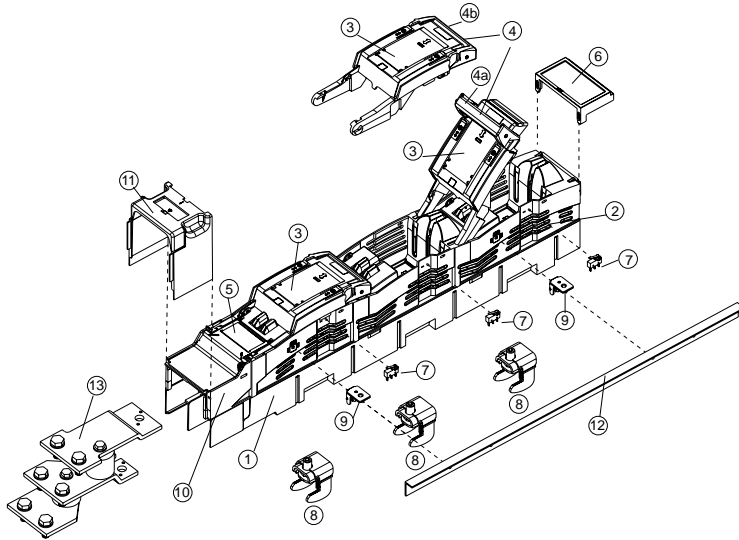
1) weight in kg per piece or set including package

MULTIVERT® 250A, 400A, 630A

MULTIVERT® 250A, 400A, 630A 3x single pole switching

MULTIVERT® 250A, 400A, 630A NH-vertical fuse switch disconnecter

E 1.002.265

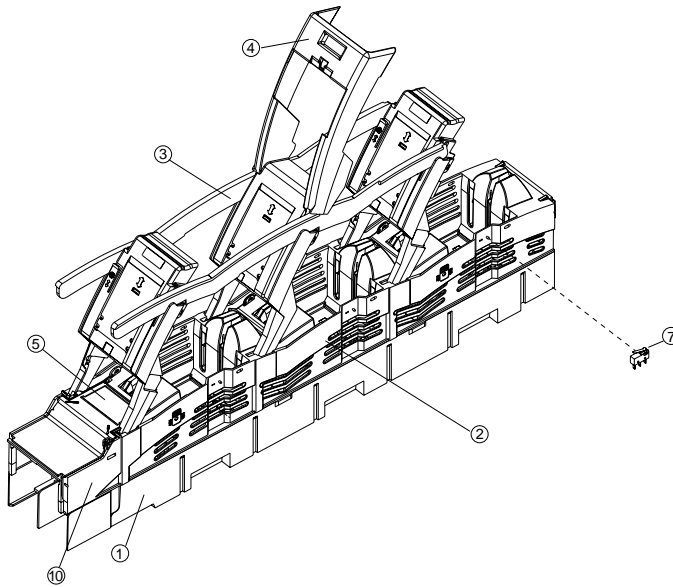


no.	article number	short description
1		Main base
2		Protection cover (removable)
3		Switch operating cover triple pole
4		Combination handle: 4a. open - switching position; 4b. Closed - installation depth 158mm
5		Labelling area (label)
6		Integrated cover shroud
7	1.000.852	indicator for switch door position
8	1.000.192	Hooked clamp, 1 set = 3 pieces
9	MZAW	Support angle, 1 set = 4 pieces
10	MZBT	Label holder
11	1.002.095	Cover shroud, bottom terminal, 70mm
12	1.001.510	cover shield, length 605mm, set=2 pieces
13	1.002.255	Supplementary set for multiple terminal

MULTIVERT® 250A, 400A, 630A 1x triple pole switching

MULTIVERT® 250A, 400A, 630A NH-vertical fuse switch disconnecter

E 1.002.266



no.	article number	short description
1		Main base
2		Protection cover (removable)
3		Switch operating cover triple pole
4		Handle
5		Labelling area (label)
6		Integrated cover shroud
7	1.000.852	indicator for switch door position

MULTIVERT® 250A

NH-vertical fuse switch disconnecter, size 1, 250A, 690VAC

Technical data in accordance with EN / IEC 60947

	250A 3 x single pole switching	250A 1 x triple pole switching
Installation mode	bus bar installation	bus bar installation
Size	1	1
Number of poles/phases	3	3
Conventional free air thermal current with NH-fuse links I_{th}	250A	250A
Max. power dissipation of NH-fuse links P_n	23W	23W
Conventional free air thermal current with solid links I_{th}	400A	400A
Max. power dissipation of solid links P_n	2,6W	2,6W
Utilization category to IEC/EN 60947-3 $U_e = AC 400V; I_e = 250A$ $U_e = AC 500V; I_e = 250A$ $U_e = AC 690V; I_e = 250A$	AC 23 B AC 23 B AC 22 B	AC 23 B AC 23 B AC 22 B
Rated operational voltage U_e	690V	690V
Rated insulation voltage U_i	1000V	1000V
Rated impulse withstand voltage U_{imp}	8kV	8kV
Rated frequency	50 ... 60Hz	50 ... 60Hz
Degree of protection	IP30	IP30
Degree of pollution	3	3
Rated duty	uninterrupted duty	uninterrupted duty
Rated short circuit making capacity with solid links I_{cm}	16kAsw	16kAsw
Rated short circuit making capacity with fuse links $U_e = AC 400V; I_e = 250A$ $U_e = AC 500V; I_e = 250A$ $U_e = AC 690V; I_e = 250A$	120kA 120kA 120kA	120kA 120kA 120kA
Power dissipation by I_{th} without NH-fuse links	24W	24W
Power dissipation by I_{th} without solid links	65W	65W
Cable terminal connection		
Standard terminal	M10	M10
for cable lugs Cu max.	300mm ²	300mm ²
for cable lugs Al max.	300mm ²	300mm ²
for copper bars with max. dimensions	40x10mm	40x10mm
V-shaped lugs for V-terminal clamps	35 - 240mm ²	35 - 240mm ²
Bus bar terminal connection		
Standard terminal	M12	M12
Hooked clamp for bus bar with thickness	5 ... 10mm	5 ... 10mm
Bus bar system	185mm	185mm

MULTIVERT® 250A, 400A, 630A

MULTIVERT® 400A

NH-vertical fuse switch disconnecter, size 2, 400A, 690VAC

Technical data in accordance with EN / IEC 60947

	400A 3 x single pole switching	400A 1 x triple pole switching
Installation mode	bus bar installation	bus bar installation
Size	2	2
Number of poles/phases	3	3
Conventional free air thermal current with NH-fuse links I_{th}	400A	400A
Max. power dissipation of NH-fuse links P_n	34W	34W
Conventional free air thermal current with solid links I_{th}	630A	630A
Max. power dissipation of solid links P_n	9W	9W
Utilization category to IEC/EN 60947-3 $U_e = AC 400V; I_b = 400A$ $U_e = AC 500V; I_b = 400A$ $U_e = AC 690V; I_b = 400A$	AC 23 B AC 22 B AC 21 B	AC 23 B AC 22 B AC 21 B
Rated operational voltage U_e	690V	690V
Rated insulation voltage U_i	1000V	1000V
Rated impulse withstand voltage U_{imp}	8kV	8kV
Rated frequency	50 ... 60Hz	50 ... 60Hz
Degree of protection	IP30	IP30
Degree of pollution	3	3
Rated duty	uninterrupted duty	uninterrupted duty
Rated short circuit making capacity with solid links I_{cm}	16 kAsw	16 kAsw
Rated short circuit making capacity with fuse links $U_e = AC 400V; I_b = 400A$ $U_e = AC 500V; I_b = 400A$ $U_e = AC 690V; I_b = 315A$ $U_e = AC 690V; I_b = 400A$	120kA 120kA 120kA 100kA	120kA 120kA 120kA 100kA
Power dissipation by I_{th} without NH-fuse links	46W	46W
Power dissipation by I_{th} without solid links	126W	126W
Cable terminal connection		
Standard terminal	M12	M12
for cable lugs Cu max.	300mm ²	300mm ²
for cable lugs Al max.	300mm ²	300mm ²
for copper bars with max. dimensions	40x10mm	40x10mm
V-shaped lugs for V-terminal clamps	35 - 240mm ²	35 - 240mm ²
Bus bar terminal connection		
Standard terminal	M12	M12
Hooked clamp for bus bar with thickness	5 ... 10mm	5 ... 10mm
Bus bar system	185mm	185mm

MULTIVERT® 630A

NH-vertical fuse switch disconnecter, size 3, 630A, 690VAC

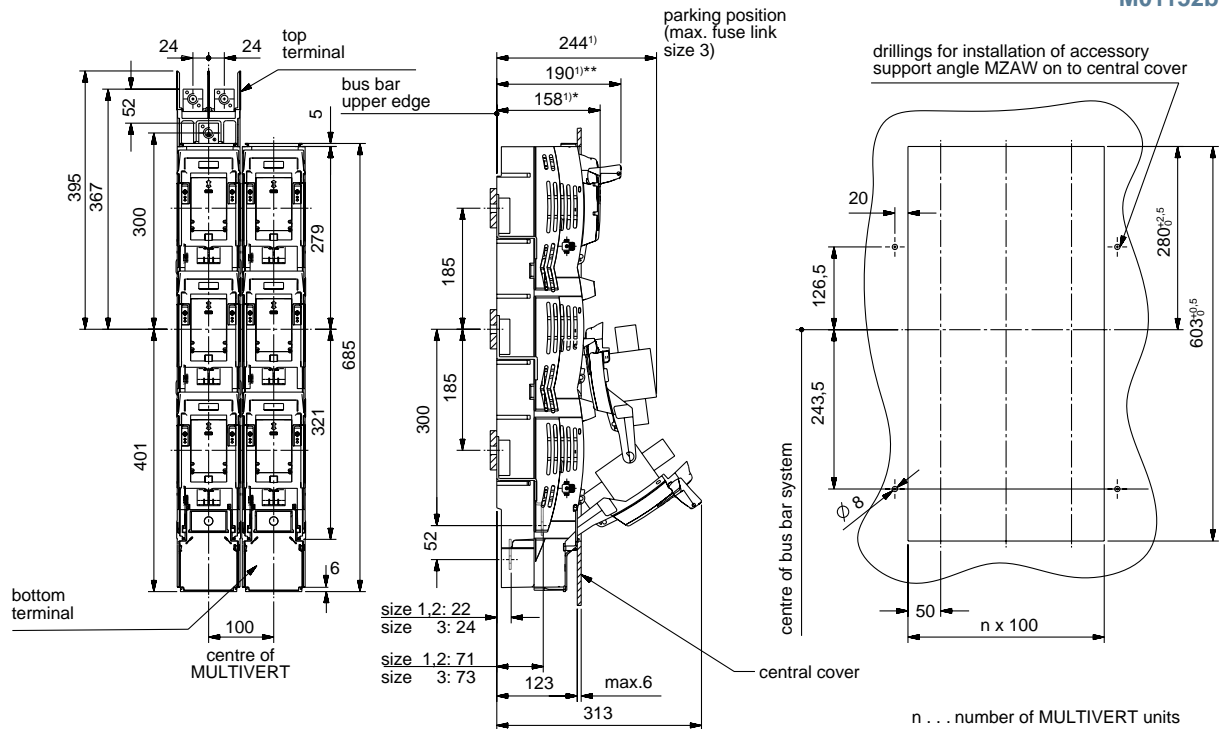
Technical data in accordance with EN / IEC 60947

	630A 3 x single pole switching	630A 1 x triple pole switching
Installation mode	bus bar installation	bus bar installation
Size	3	3
Number of poles/phases	3	3
Conventional free air thermal current with NH-fuse links I_{th}	630A	630A
Max. power dissipation of NH-fuse links P_n	43W	43W
Conventional free air thermal current with solid links I_{th}	800A	800A
Max. power dissipation of solid links P_n	17,5W	17,5W
Utilization category to IEC/EN 60947-3 $U_e = AC 400V; I_e = 630A$ $U_e = AC 500V; I_e = 630A$ $U_e = AC 690V; I_e = 630A$	AC 23 B AC 22 B AC 21 B	AC 23 B AC 22 B AC 21 B
Rated operational voltage U_e	690V	690V
Rated insulation voltage U_i	1000V	1000V
Rated impulse withstand voltage U_{imp}	8kV	8kV
Rated frequency	50 ... 60Hz	50 ... 60Hz
Degree of protection	IP30	IP30
Degree of pollution	3	3
Rated duty	uninterrupted duty	uninterrupted duty
Rated short circuit making capacity with solid links I_{cm}	16kAsw	16kAsw
Rated short circuit making capacity with fuse links $U_e = AC 400V; I_e = 630A$ $U_e = AC 500V; I_e = 630A$ $U_e = AC 690V; I_e = 500A$	80kA 80kA 80kA	80kA 80kA 80kA
Power dissipation by I_{th} without NH-fuse links	92W	92W
Power dissipation by I_{th} without solid links	161W	161W
Cable terminal connection		
Standard terminal	M12	M12
for cable lugs Cu max.	300mm ²	300mm ²
for cable lugs Al max.	300mm ²	300mm ²
for copper bars with max. dimensions	40x10mm	40x10mm
V-shaped lugs for V-terminal clamps	35 - 240mm ²	35 - 240mm ²
Bus bar terminal connection		
Standard terminal	M12	M12
Hooked clamp for bus bar with thickness	5 ... 10mm	5 ... 10mm
Bus bar system	185mm	185mm

MULTIVERT® 250A, 400A, 630A

MULTIVERT® 250A, 400A, 630A single pole switching MULTIVERT® 250A, 400A, 630A NH-vertical fuse switch disconnecter

Dimensions
M01152b



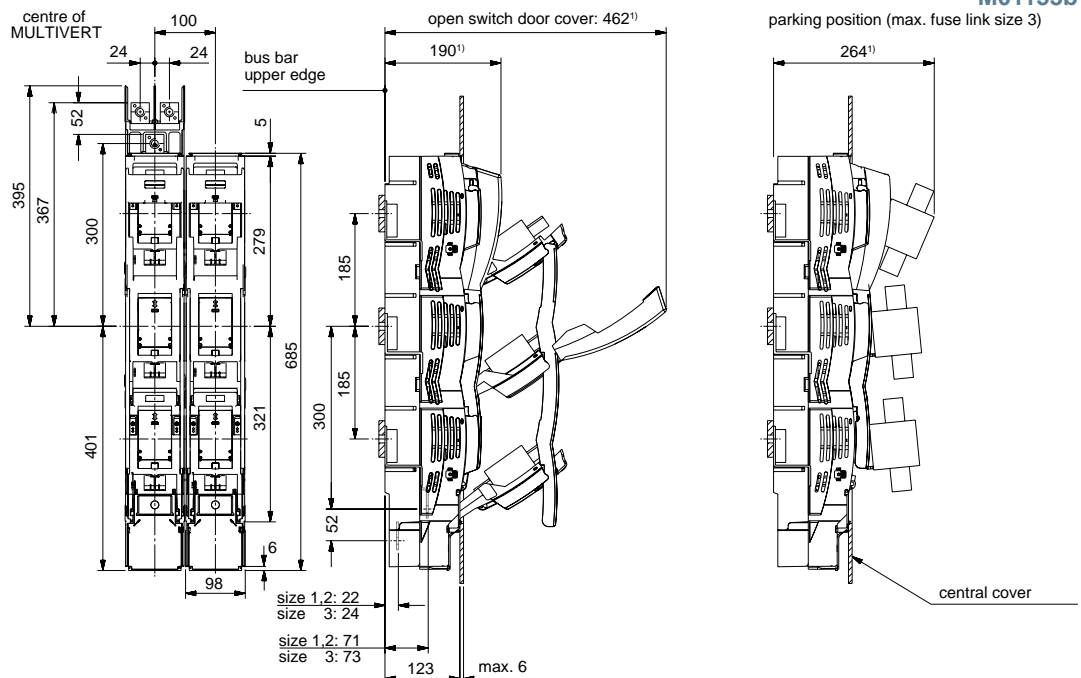
1) dimension from upper edge of bus bar

* 158 mm handle in closed position (folded) = total installation depth of MULTIVERT

** 190 mm handle in open position (fixed) = switching position

MULTIVERT® 250A, 400A, 630A triple pole switching MULTIVERT® 250A, 400A, 630A NH-vertical fuse switch disconnecter

Dimensions
M01153b

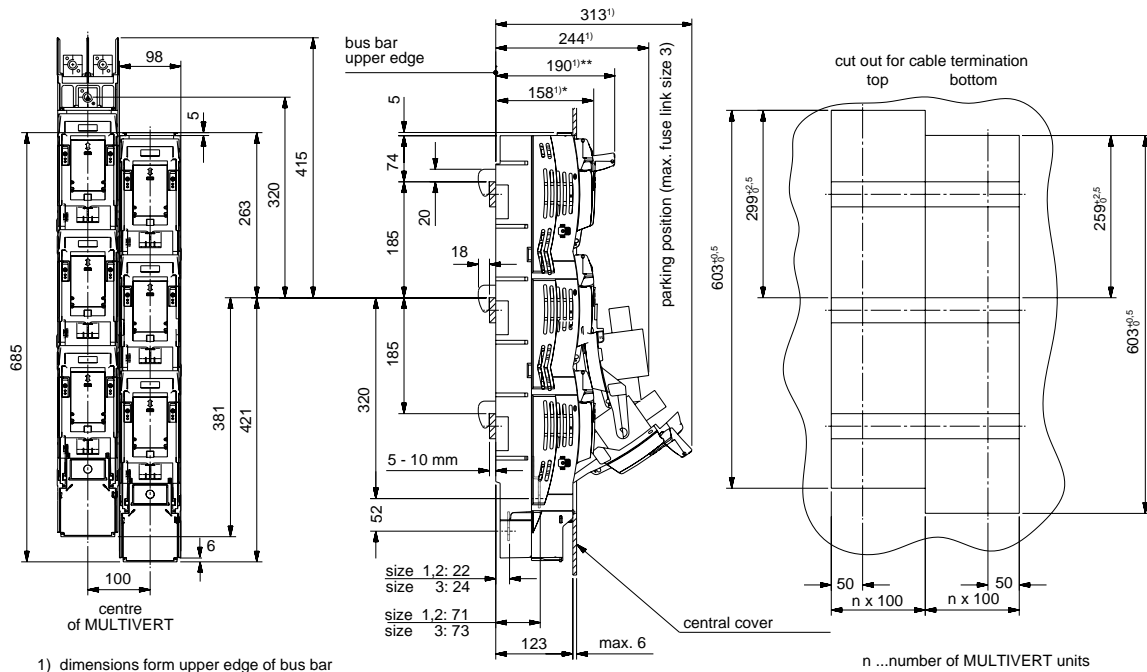


1) dimension from upper edge of bus bar

MULTIVERT® 250A, 400A, 630A single pole switching

MULTIVERT® 250A, 400A, 630A NH-vertical fuse switch disconnecter

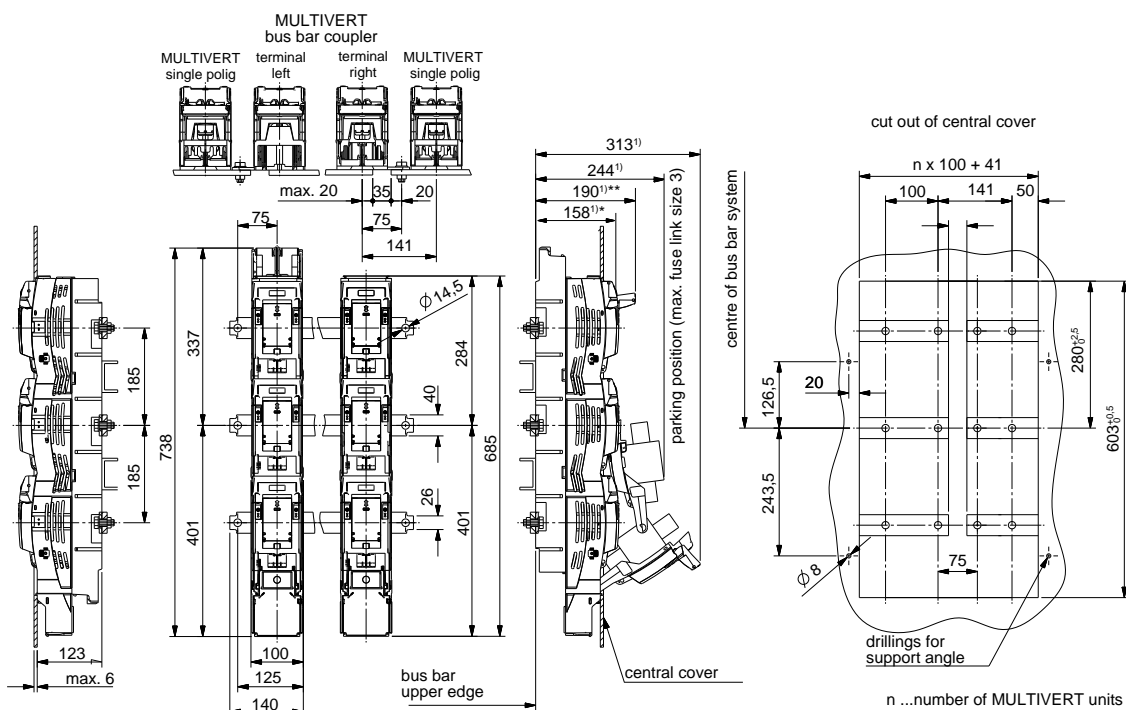
M01154b



MULTIVERT® 250A, 400A, 630A single pole switching

MULTIVERT® 250A, 400A, 630A bus bar coppler switch with lateral terminals

M01159a



MULTIVERT® 250A, 400A, 630A

MULTIVERT® 250A, 400A, 630A

Cable termination MULTIVERT® 250A, 400A, 630A

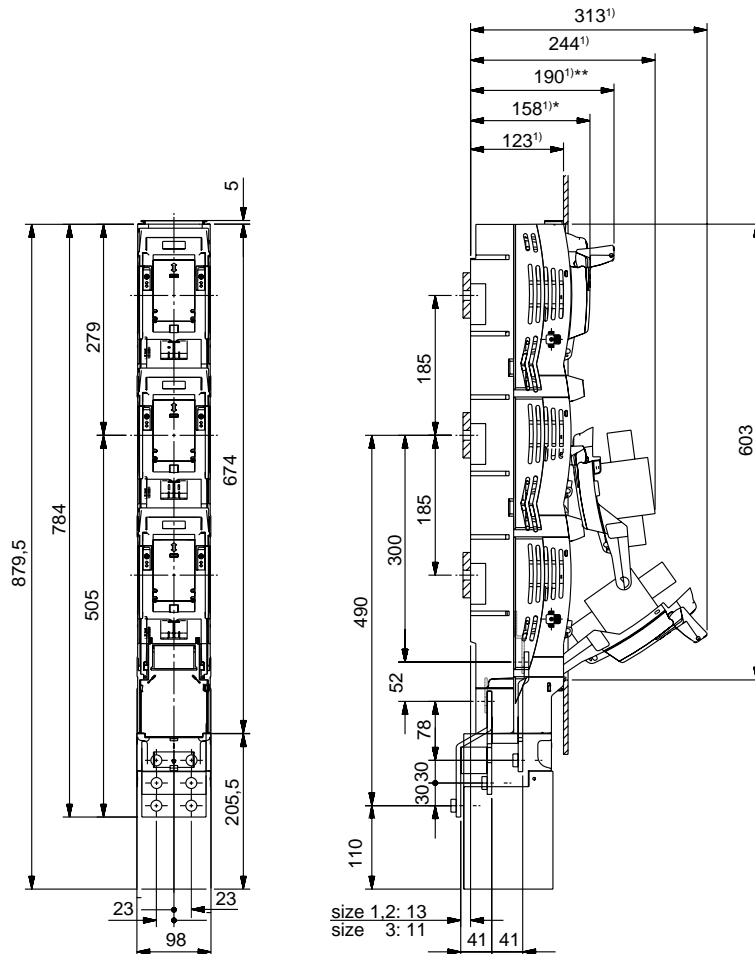
M01105b

reference	B	E	V	
type of terminal	bolt	insert nut	V-terminal	
accessory	cable lug max. width 45 mm	cable lug max. width 45 mm	V-clamp (accessory) 22SZVK4 22SZVK41	
cross section [mm ²]	max. 300	max. 300	50 - 240 sectoral solid 50 - 185 sectoral stranded 35 - 70 round stranded 35 - 50 round solid	95 - 300 sectoral solid 70 - 240 sectoral stranded 50 - 185 round stranded 70 - 240 round solid
M [Nm]	35 ±3	35 ±3	25 ±2	25 ±2

MULTIVERT® 240A, 400A, 630A

Cable termination MULTIVERT® 250A, 400A, 630A multiple termination

M01156a



1) dimensions form upper edge of bus bar

* 158 mm handle in closed position (folded) = total installation depth of MULTIVERT

** 190 mm handle in open position (fixed) - switching position

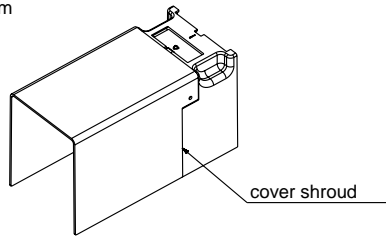
MULTIVERT® 240A, 400A, 630A

Cable termination MULTIVERT® 250A, 400A, 630A multiple termination

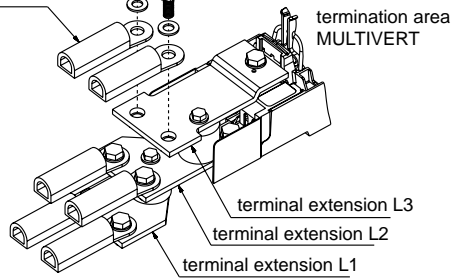
MA88f

terminal: 2 cable lugs

Cu: up to max. 300 mm² round stranded, sectoral stranded cable lugs in accordance with DIN 46235
 Al: up to max. 300 mm² round stranded, sectoral stranded cable lugs in accordance with DIN 46329
 M: 32-38 Nm



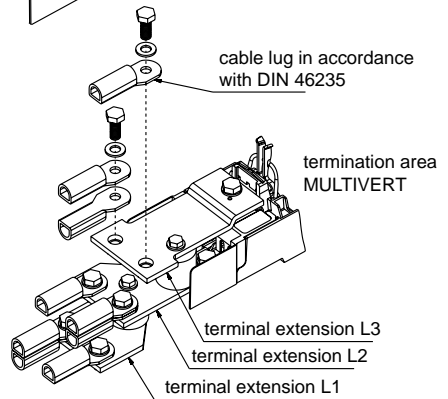
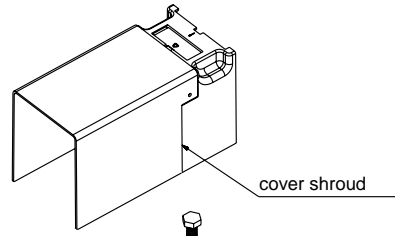
cable lugs in accordance with DIN 46235 and DIN 46329 max. width 46 mm



NOTE:
 Due to safety precautions we suggest to insulate the cable lugs (185, 240 und 300 mm²).

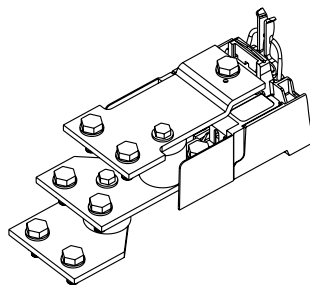
terminal: 3 cable lugs

Cu: up to max. 150 mm² round stranded, sectoral stranded cable lugs in accordance with DIN 46235
 M: 32-38 Nm



NOTE:
 Due to safety precautions we suggest to insulate the cable lugs (95, 120 und 150 mm²).

Position of terminals



tightening torque of screws: 32 - 38 Nm

MULTIVERT® 250A, 400A, 630A

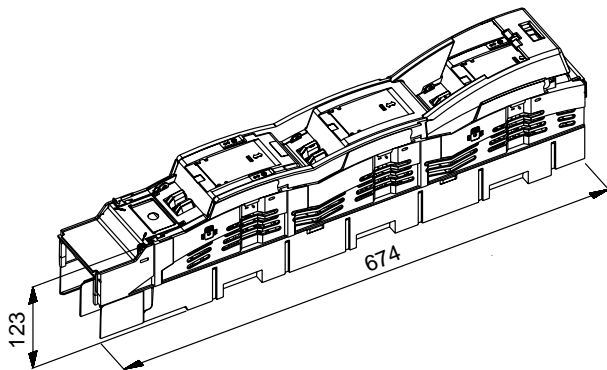
MULTIVERT® 240A, 400A, 630A

Cover shrouds for cable termination bottom terminal MULTIVERT® 250A, 400A, 630A

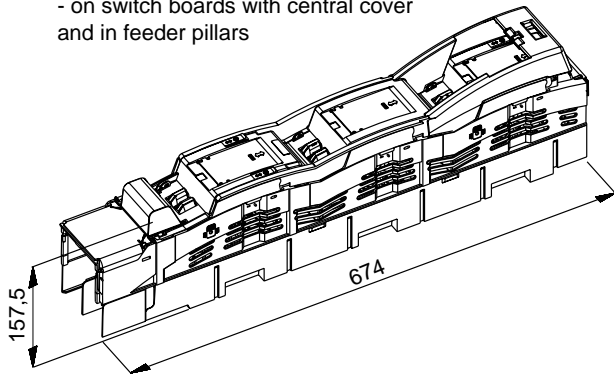
M01160a-1

standard design: integrated shroud for bottom cable termination

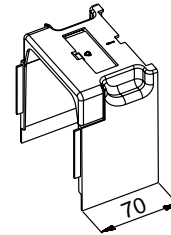
for terminal connections with cable lugs (bolt and insert nut)
- on switch boards with central cover



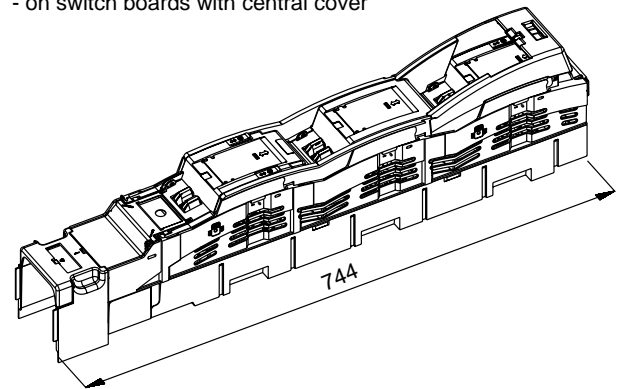
for clamp terminal connections (V-terminal)
for special "high" clamp terminal connections (double V-clamps)
- on switch boards with central cover
and in feeder pillars



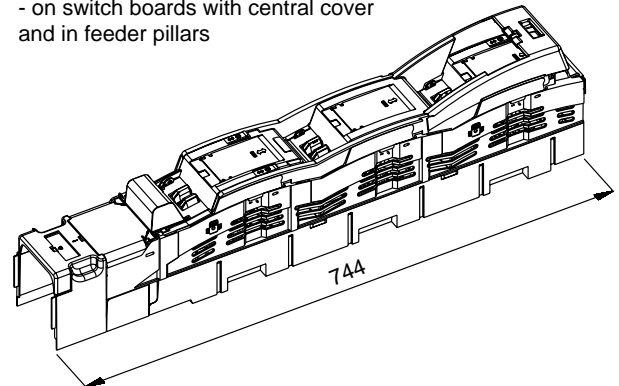
Extension shroud for bottom cable termination article number 1.002.095 (accessory)



for extended cover
for terminal connections with cable lugs (bolt and insert nut)
- on switch boards with central cover



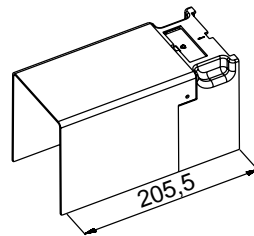
for extended cover
for clamp terminal connections (V-terminal)
for special "high" clamp terminal connections (double V-clamps)
- on switch boards with central cover
and in feeder pillars



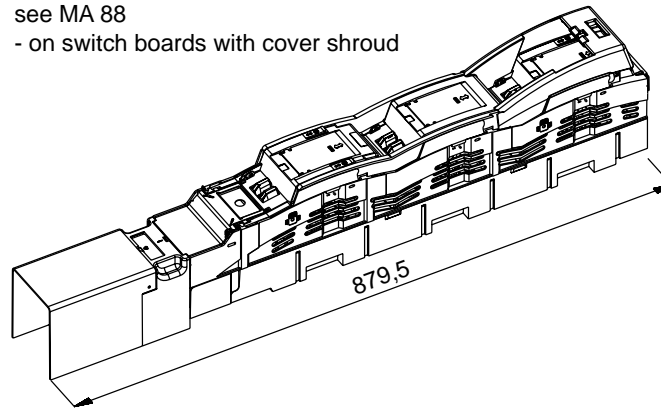
MULTIVERT® 240A, 400A, 630A

Cover shrouds for cable termination bottom terminal MULTIVERT® 250A, 400A, 630A multiple termination

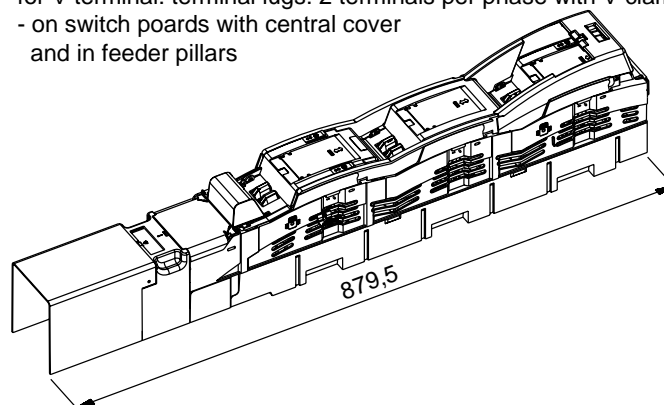
Dimensions
M01160a-2



for application multiple terminations
for cable termination with 2 or 3 cable lugs/phase
see MA 88
- on switch boards with cover shroud



for application multiple termination
for V-terminal: terminal lugs: 2 terminals per phase with V-clamp
- on switch boards with central cover
and in feeder pillars



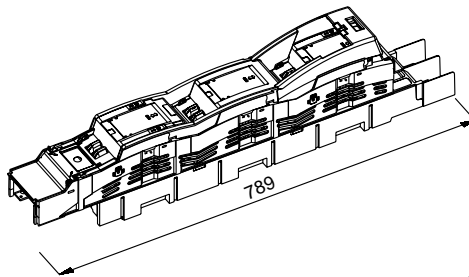
MULTIVERT® 250A, 400A, 630A

MULTIVERT® 240A, 400A, 630A

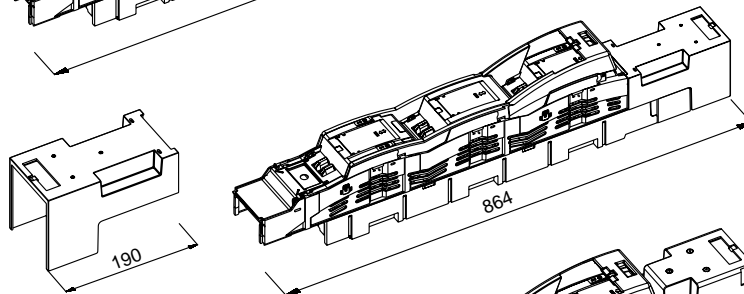
Cover shrouds for cable termination top terminal MULTIVERT® 250A, 400A, 630A

Dimensions
M01160a-3

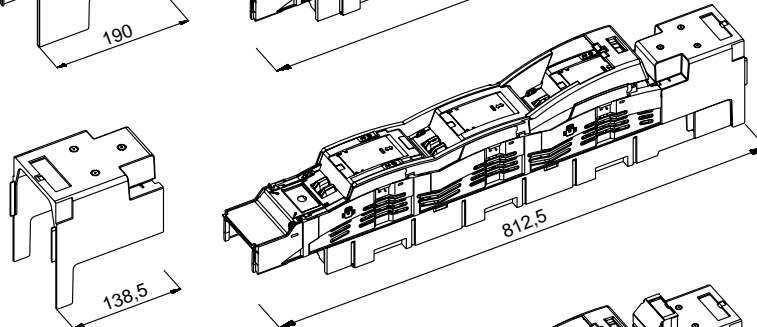
without shroud for cable termination



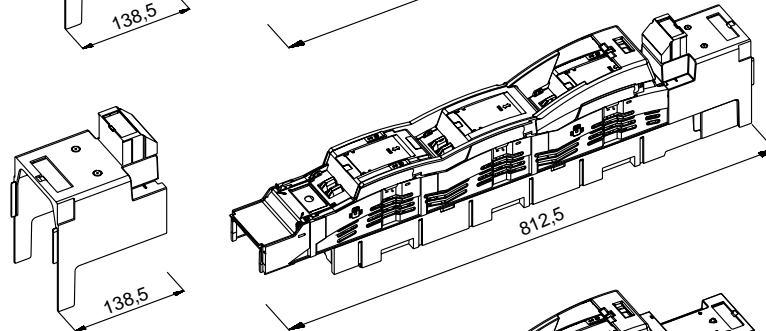
shroud for top cable termination
article number: MZKHO (accessory)
for terminal connections with
cable lugs (bolt and insert nut)
- on switch boards with central cover



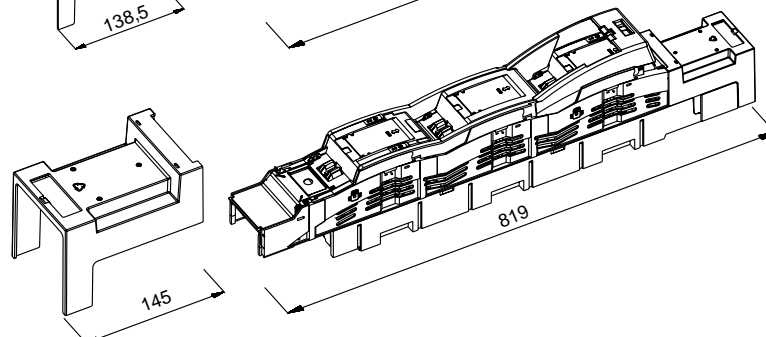
shroud for top cable termination
article number: MZKAB (accessory)
for clamp terminal connections
(V-terminal)
- in feeder pillars



shroud for top cable termination
article number: MZKAB1 (accessory)
for special "high" clamp terminal
connections (double V-clamps)
- in feeder pillars



shroud for top cable termination
article number: MZKHV (accessory)
for terminal connections with cable lugs
for installation in distribution units
with central cover



MULTIVERT® 250A, 400A, 630A

NH-vertical fuse switch disconnecter size 1 250A, size 2 400A, size 3 630A, 690VAC

Accessories

Cover/shrouds for cable termination

MULTIVERT® 250A, 400A, 630A

article number	reference number	design	application	weight kg ¹	package
1.002.095	J1002279A	cover shroud for extended cover length 70mm	bottom terminal	0.12	1 piece
1.002.458	N1023305A	cover shroud for multiple termination length 199,5mm	bottom terminal	0.29	1 piece
MZKAB	J1023301A	cover shroud for clamp terminal connection in feeder pillars length 138,5mm	top terminal	0.19	1 piece
MZKHO	G217655A	cover shroud for cable terminal connections with cable lugs on switchboards with central cover length 190mm	top terminal	0.12	1 piece
MZKAB1	K1023302A	cover shroud for special (high) clamp terminal connection in feeder pillars length 138,5mm	top terminal	0.10	1 piece
MZVHB	L1023303A	extended cover shroud length 257mm	top terminal	0.38	1 piece
MZKHV	A1002202A	cover shroud for installation in distribution units with central cover (height of supporting edge reduced by 16mm) length 145mm	top terminal	1.85	1 piece



1.002.095



1.002.458



MZKAB



MZKHO



MZKAB1



MZVHB



MZKHV

Indication facilities

MULTIVERT® 250A, 400A, 630A

article number	reference number	design	weight kg ¹	package
1.002.940	Z1023453A	electronic fuse monitoring ESÜ size 1,2,3 for MULTIVERT® 250A, 400A, 630A with cabling of instrument leads	0.08	1 piece
MZESM	J228766A	Electronic System Monitor ESM size 1,2,3 for MULTIVERT® 250A, 400A, 630A with cabling of instrument leads	0.40	1 piece
1.000.829	L1023418A	electro-mechanical fuse monitoring (galvanic isolation) MZS size 1,2,3 for MULTIVERT® 250A, 400A, 630A with cabling of instrument leads	0.57	1 piece
1.000.852	Q1002285A	indicator for switch door position micro switch, 1 change-over contact 5A, 250V	0.00	1 piece



1.002.940



MZESM



1.000.829



1.000.852

MULTIVERT® 250A, 400A, 630A

MULTIVERT® 250A, 400A, 630A

NH-vertical fuse switch disconnecter size 1 250A, size 2 400A, size 3 630A, 690VAC

Accessories

Varieties of cable termination

MULTIVERT® 250A, 400A, 630A



article number	reference number	design	weight kg ¹	package
1.002.909	K1024613A	V-terminal clamp size 1,2,3, 95-240mm ² single solid, 70-240mm ² single stranded, 50-185mm ² round stranded, 70-240mm ² round solid, M = 23 -27Nm 1 set = 3 pieces	0.24	1 set
1.002.910	L1024614A	V-terminal clamp size 1,2,3, 95-300mm ² single solid, 70-240mm ² single stranded, 50-185mm ² round stranded, 70-240mm ² round solid, M = 23 -27Nm 1 set = 3 pieces	0.25	1 set
22SZVK42	Q1024618A	V-terminal clamp size 1,2,3 for 2 Leiter 50-240mm ² single solid, 50-185mm ² single stranded, 50-185mm ² round stranded, 70-240mm ² round solid M = 23-27Nm	0.17	1 piece
1.000.099	E1023436A	insulation cap for V-terminal clamp size 1,2,3	0.01	1 piece
1.003.286	Q1024595A	supplementary set for V-terminal size 1,2,3 set = 3 pieces V-clamps, cover shroud and labels for size 1, 2 and 3	0.30	1 set
1.001.667	F1023275A	adapter for double terminal L3	0.25	1 piece
1.002.255	B1024582A	supplementary set for multiple termination, bottom terminal 2 cable lugs Cu/Al: up to max. 300mm ² round stranded, sectoral stranded, 3 cable lugs Cu: up to max. 150mm ² round stranded, sectoral stranded, M = 32-38Nm	2.60	1 set
1.003.377	Y1024579A	supplementary set for multiple termination, top terminal 2 cable lugs Cu/Al: up to max. 300mm ² round stranded, sectoral stranded, 3 cable lugs Cu: up to max. 150mm ² round stranded, sectoral stranded, M = 32-38Nm	2.60	1 set

MULTIVERT® 250A, 400A, 630A

NH-vertical fuse switch disconnecter size 1 250A, size 2 400A, size 3 630A, 690VAC

Accessories

Covers/level & system adjustment covers

MULTIVERT® 250A, 400A, 630A



article number	reference number	design	weight kg ¹	package
1.001.510	K1002280B	cover shield to support central cover 1 set = 2 pieces	0.15	1 set
MZA W	D218687D	support angle for support of cover plate 1 set = 4 pieces	0.03	1 set

Covers/spare way covers

MULTIVERT® 250A, 400A, 630A



article number	reference number	design	application	weight kg ¹	package
MZ01LPAP	C1023410A	spare way cover without level adjustment width 50mm, length 500mm including fixing material	bus bar system 185mm	0.06	1 piece
MZLPAP	D1023411A	spare way cover width 100mm, length 612mm including 2 pieces M12 fixing screws (distance of fixing holes 185mm)	bus bar system 185mm	0.56	1 piece
1.002.493	N1002283A	spare way cover width 50mm, length 630mm for covering of open installation spaces in distribution units with central cover	bus bar system 185mm	0.13	1 piece
1.002.492	M1002282A	spare way cover width 100mm, length 630mm for covering of open installation spaces in distribution units with central cover	bus bar system 185mm	0.20	1 piece
1.002.830	E1023412A	spare way cover width 50mm, length 630mm with level adjustment 123mm for bus bar installation, set = cover + fixing set (2 distance pieces, 2 screw rivets)	bus bar system 185mm	0.20	1 set
1.002.829	F1023413A	spare way cover width 100mm, length 630mm with level adjustment 123mm for bus bar installation set = cover + fixing set (2 distance pieces, 2 screw rivets)	bus bar system 185mm	0.27	1 set

Amperemeter for direct frontal installation

MULTIVERT® 250A, 400A, 630A

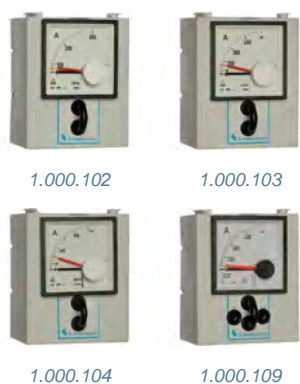


article number	reference number	design	weight kg ¹	package
1.002.294	G1023276A	size 2/3, 400 / 200 / 5A, with drag indicator, for NH-measuring fuse link, single pole measurement	0.14	1 piece
1.002.295	H1023277A	size 2/3, 600 / 300 / 5A, with drag indicator, for NH-measuring fuse link, single pole measurement	0.14	1 piece

MULTIVERT® 250A, 400A, 630A

MULTIVERT® 250A, 400A, 630A

NH-vertical fuse switch disconnecter size 1 250A, size 2 400A, size 3 630A, 690VAC



1.000.102

1.000.103

1.000.104

1.000.109

Accessories

Amperemeter units

MULTIVERT® 250A, 400A, 630A

article number	reference number	design	weight kg ¹	package
1.000.102	M1023281A	size 1, 2, 3, 250A, with drag indicator, single pole measurement	0.44	1 piece
1.000.103	N1023282A	size 2, 3, 400A, with drag indicator, single pole measurement	0.44	1 piece
1.000.104	P1023283A	size 3, 630A, with drag indicator, single pole measurement	0.44	1 piece
1.000.105	J1023278A	size 3, 1000A, with drag indicator, single pole measurement	0.44	1 piece
1.000.108	T1023287A	size 1, 2, 3, 250A, with drag indicator, triple pole measurement (optional L1, L2, L3)	0.44	1 piece
1.000.109	V1023288A	size 2, 3, 400A, with drag indicator, triple pole measurement (optional L1, L2, L3)	0.44	1 piece
1.000.110	W1023289A	size 3, 630A, with drag indicator, triple pole measurement (optional L1, L2, L3)	0.44	1 piece
1.000.111	Q1023284A	size 3, 1000A, with drag indicator, triple pole measurement (optional L1, L2, L3)	0.44	1 piece



1.200.000 + 1.002.288

Fused tee off adapter facility

MULTIVERT® 250A, 400A, 630A

article number	reference number	design	weight kg ¹	package
1.002.288	X1023290A	fused tee off adapter facility, length of blade contacts 106mm for NH-fuse links size 00 max. 100A, for application in MULTIVERT® 250A, 400A, 630A	0.55	1 piece

Labelling facilities

MULTIVERT® 250A, 400A, 630A



MZBT

article number	reference number	design	weight kg ¹	package
MZBT	B222181A	label holder size 1, 2, 3	0.03	1 piece

MULTIVERT® 250A, 400A, 630A

NH-vertical fuse switch disconnecter size 1 250A, size 2 400A, size 3 630A, 690VAC

Accessories

Earthing unit

MULTIVERT® 250A, 400A, 630A

article number	reference number	design	weight kg ¹	package
MZEGK	V1024576A	complete earthing unit including 3 pieces earthing links	5.40	1 piece
MZEM	W1024577A	earthing link size 1, 2, 3	0.50	1 piece



MZEGK



MZEM

Installation devices/bus bar installation

MULTIVERT® 250A, 400A, 630A

article number	reference number	design	weight kg ¹	package
1.002.647	S1023447Y	M10 insert nut, size 1 1 set = 30 pieces	0.20	1 set
1.002.648	T1023448Y	M12 insert nut, size 2 and 3 1 set = 30 pieces	0.20	1 set
1.000.192	P1002284C	hooked clamp size 1, 2, 3, M = 15–20Nm hexagon socket connection (inbus) for MULTIVERT®/BSL with top or bottom terminal 1 set = 3 pieces	0.46	1 set



1.000.192

NH-measuring fuse links

MULTIVERT® 250A, 400A, 630A

article number	reference number	design	weight kg ¹	package
1.002.290	J1023416A	size 2, 400A C.T. current = 400/5A or 200/5A, distance between plugs 50mm	0.67	1 piece
1.002.291	K1023417A	size 3, 630A C.T. current = 600/5A or 300/5A, distance between plugs 50mm	0.94	1 piece



1.002.290



1.002.291

MULTIVERT® 250A, 400A, 630A

MULTIVERT® 250A, 400A, 630A

NH-vertical fuse switch disconnecter size 1 250A, size 2 400A, size 3 630A, 690VAC

Accessories

Current transformers/external current transformers

MULTIVERT® 250A, 400A, 630A

article number	reference number	design	weight kg ¹	package
MZ1SW250	K1024567A	current transformer up to 250A for single pole measurement set = 1 piece current transformer + 3 pieces distance tubes for level adjustment, 1 piece installed in the current transformer, 2 pieces additionally packed	0.88	1 set
MZ1SW400	N1024570A	current transformer up to 400A for single pole measurement set = 1 piece current transformer + 3 pieces distance tubes for level adjustment, 1 piece installed in the current transformer, 2 pieces additionally packed	0.89	1 set
MZ1SW600	R1024573A	current transformer up to 600A for single pole measurement set = 1 piece current transformer + 3 pieces distance tubes for level adjustment, 1 piece installed in the current transformer, 2 pieces additionally packed	1.22	1 set
MZ1SW1000	E1024562A	current transformer up to 1000A for single pole measurement set = 1 piece current transformer + 3 pieces distance tubes for level adjustment, 1 piece installed in the current transformer, 2 pieces additionally packed	1.92	1 set
MZ3SW250	M1024569A	current transformer up to 250A for triple pole measurement set = 3 pieces current transformer with distance tubes for level adjustment, 3 pieces installed in the current transformer	1.38	1 set
MZ3SW400	Q1024572A	current transformer up to 400A for triple pole measurement set = 3 pieces current transformer with distance tubes for level adjustment, 3 pieces installed in the current transformer	1.41	1 set
MZ3SW600	T1024575A	current transformer up to 600A for triple pole measurement set = 3 pieces current transformer with distance tubes for level adjustment, 3 pieces installed in the current transformer	1.43	1 set
MZ3SW1000	G1024564A	current transformer up to 1000A for triple pole measurement set = 3 pieces current transformer with distance tubes for level adjustment, 3 pieces installed in the current transformer	2.47	1 set
SZ1SW250	L1024568A	current transformer up to 250A for single pole measurement	0.43	1 piece
SZ1SW600	S1024574A	current transformer up to 600A for single pole measurement	0.40	1 piece
SZ1SW400	P1024571A	current transformer up to 400A for single pole measurement	0.46	1 piece
SZ1SW1000	F1024563A	current transformer up to 1000A for single pole measurement	0.81	1 piece
MZPR600	S1024597C	distance tube for level adjustment, up to 600A, supplementary set for neighbouring MULTIVERT® without measurement to obtain uniform profile in height 1 set = 3 pieces	0.62	1 set
MZPR1000	T1024598C	distance tube for level adjustment, up to 1000A, supplementary set for neighbouring MULTIVERT® without measurement to obtain uniform profile in height 1 set = 3 pieces	1.64	1 set



MZ3SW400



SZ1SW600



MZPR600

MULTIVERT® NH-double vertical switch disconnecter

MULTIVERT® NH-double vertical fuse switch disconnecter

NH-double vertical fuse switch disconnecter size 2 800A, size 3 1260A

in accordance with IEC/EN 60 947-3.

- NH-double vertical fuse switch disconnecter size 2, 800A (2 x 400A)
- NH-double vertical fuse switch disconnecter size 3, 1260A (2 x 630A)
- For NH-fuse links in accordance with IEC/EN 60 269-2, VDE 0636-2
- Installation on to 185mm bus bar system
- Suitable for top/bottom cable terminal connection
- Triple pole and single pole switching
- Multiple cable termination - design with 3 or 4 cables/pole



1.400.000

MULTIVERT® NH-double vertical fuse switch disconnecter 800A single pole switching

article number	reference number	cable termination components	design	weight kg ¹	package
1.400.000	W1023266A	triple cable termination M12 bolt	for NH-fuse links size 2	11.60	1 piece
1.400.004	X1023267A	quadruple cable termination M12 bolt	for NH-fuse links size 2	12.12	1 piece

MULTIVERT® NH-double vertical fuse switch disconnecter 1260A single pole switching

article number	reference number	cable termination components	design	weight kg ¹	package
1.500.000	S1023125A	triple cable termination M12 bolt	for NH-fuse links size 3	13.30	1 piece
1.500.004	T1023126A	quadruple cable termination M12 bolt	for NH-fuse links size 3	13.80	1 piece



1.450.000

MULTIVERT® NH-double vertical fuse switch disconnecter 800A triple pole switching

article number	reference number	cable termination components	design	weight kg ¹	package
1.450.000	Y1023268A	triple cable termination M12 bolt	for NH-fuse links size 2	11.90	1 piece
1.450.004	Z1023269A	quadruple cable termination M12 bolt	for NH-fuse links size 2	12.30	1 piece

MULTIVERT® NH-double vertical fuse switch disconnecter 1260A triple pole switching

article number	reference number	cable termination components	design	weight kg ¹	package
1.550.000	V1023127A	triple cable termination M12 bolt	for NH-fuse links size 3	13.30	1 piece
1.550.004	W1023128A	quadruple cable termination M12 bolt	for NH-fuse links size 3	13.80	1 piece

1) weight in kg per piece or set including package

MULTIVERT® NH-double vertical switch disconnecter

MULTIVERT® NH-double vertical switch disconnecter

NH-double vertical switch for solid links size 2 1260A, size 3 1600A

in accordance with IEC/EN 60 947-3.

- NH-double vertical switch disconnecter 2, 1260A
NH-double vertical switch disconnecter 3, 1600A
- NH-double vertical switch disconnecter size 3, 1600A
- For NH-solid links size 2 630A and size 3 1000A
- Installation on to 185mm bus bar system
- Suitable for top/bottom cable terminal connection
- Triple pole and single pole switching
- Multiple cable termination - design with 3 or 4 cables/pole



1.400.000

MULTIVERT® NH-double vertical switch disconnecter 1260A single pole switching

article number	reference number	cable termination components	design	weight kg ¹	package
1.400.000	W1023266A	triple cable termination M12 bolt	1260A application of NH-solid links size 2, 630A, Art.Nr. 22SZSM1 800A application of NH-solid links size 2, 400A	11.60	1 piece
1.400.004	X1023267A	quadruple cable termination M12 bolt	1260A application of NH-solid links size 2, 630A, Art.Nr. 22SZSM1 800A application of NH-solid links size 2, 400A	12.12	1 piece

MULTIVERT® NH-double vertical switch disconnecter 1600A single pole switching

article number	reference number	cable termination components	design	weight kg ¹	package
1.500.000	S1023125A	triple cable termination M12 bolt	1600A application of NH-solid links size 3, 1000A, Art.Nr. 33SZSM2 1260A application of NH-solid links size 3, 630A	13.30	1 piece
1.500.004	T1023126A	quadruple cable termination M12 bolt	1600A application of NH-solid links size 3, 1000A, Art.Nr. 33SZSM2 1260A application of NH-solid links size 3, 630A	13.80	1 piece

MULTIVERT® NH-double vertical switch disconnecter

NH-double vertical switch for solid links size 2 1260A, size 3 1600A



1.450.000

MULTIVERT® NH-double vertical switch disconnecter 1260A triple pole switching

article number	reference number	cable termination components	design	weight kg ¹	package
1.450.000	Y1023268A	triple cable termination M12 bolt	1260A application of NH-solid links size 2, 630A, Art.Nr. 22SZSM1 800A application of NH-solid links size 2, 400A	11.90	1 piece
1.450.004	Z1023269A	quadruple cable termination M12 bolt	1260A application of NH-solid links size 2, 630A, Art.Nr. 22SZSM1 800A application of NH-solid links size 2, 400A	12.30	1 piece

MULTIVERT® NH-double vertical switch disconnecter 1600A triple pole switching

article number	reference number	cable termination components	design	weight kg ¹	package
1.550.000	V1023127A	triple cable termination M12 bolt	1600A application of NH-solid links size 3, 1000A, Art.Nr. 33SZSM2 1260A application of NH-solid links size 3, 630A	13.30	1 piece
1.550.004	W1023128A	quadruple cable termination M12 bolt	1600A application of NH-solid links size 3, 1000A, Art.Nr. 33SZSM2 1260A application of NH-solid links size 3, 630A	13.80	1 piece

1) weight in kg per piece or set including package

MULTIVERT® NH-double vertical switch disconnecter

MULTIVERT® NH-double vertical switch disconnecter

Technical data in accordance with EN / IEC 60947

	800A with fuse links	1260A with fuse links	1260A with solid links	1600A with solid links
Installation mode	bus bar installation	bus bar installation	bus bar installation	bus bar installation
Size	2	3	2	3
Number of poles/phases	2x3	2x3	2x3	2x3
Conventional free air thermal current with NH-fuse links I_n	800A	1260A	-	-
Max. power dissipation of NH-fuse links P_n	34W	43W	-	-
Conventional free air thermal current with solid links I_n	-	-	1260A	1600A
Max. power dissipation of solid links P_n	-	-	9W	17,5W
Utilization category to IEC/EN 60947-3 $U_e = AC 400V; I_e = 2 \times 400A$ $U_e = AC 400V; I_e = 2 \times 630A$ $U_e = AC 400V; I_e = 2 \times 800A$ $U_e = AC 690V; I_e = 2 \times 400A$ $U_e = AC 690V; I_e = 2 \times 630A$	AC 22 B - - AC 21 B -	- AC 22 B - - AC 21 B	- AC 21 B - - -	- - AC 22 B - -
Rated operational voltage U_e	500V	500V	400V	400V
Rated insulation voltage U_i	1000V	1000V	1000V	1000V
Rated impulse withstand voltage U_{imp}	8kV	8kV	8kV	8kV
Rated frequency	50 ... 60Hz	50 ... 60Hz	50 ... 60Hz	50 ... 60Hz
Degree of protection	IP20	IP20	IP20	IP20
Degree of pollution	3	3	3	3
Rated duty	uninterrupted duty	uninterrupted duty	uninterrupted duty	uninterrupted duty
Rated short circuit making capacity with solid links I_{cm}	-	-	16kAsw	16kAsw
Rated short circuit making capacity with fuse links $U_e = AC 500V; I_e = 2 \times 400A$ $U_e = AC 500V; I_e = 2 \times 630A$	18kA -	- 28kA	- -	- -
Rated short circuit withstand current I_{cw}	-	-	8kA / 1s	12kA / 1s
Power dissipation by I_n without NH-fuse links	46W	92W	-	-
Power dissipation by I_n without solid links	-	-	270W	340W
Cable terminal connection				
Standard cable terminal	3xM12	3xM12	3xM12	3xM12
for cable lugs Cu max.	300mm ²	300mm ²	300mm ²	300mm ²
for cable lugs Al max.	300mm ²	300mm ²	300mm ²	300mm ²
for copper bars with max. dimensions	-	-	60x10mm	60x10mm
Bus bar terminal connection				
Bus bar system	185mm	185mm	185mm	185mm

MULTIVERT® NH-double vertical switch

MULTIVERT® main incomer 1000A

NH-vertical main incomers 1000A, 690VAC

in accordance with IEC/EN 60 947-3.

- Installation on to 185mm bus bar system
- Suitable for top/bottom cable terminal connection
- With installed cover shroud
- Terminal lugs for cable terminations of large cross sections - multiple termination
- With ready fitted 1000A solid links



1.762.900

MULTIVERT® main incomer 1000A

1 x triple pole switching

article number	reference number	cable termination components	design	weight kg ¹	package
1.762.900	P1023122A	M12 multiple termination Al/Cu max. 300mm ² round stranded, sectoral stranded (2 cable lugs), Cu max. 150mm ² round stranded, sectoral stranded (3 cable lugs), M = 32-38 Nm	with ready fitted NH-solid links 1000A	11.80	1 piece



1.712.900

MULTIVERT® main incomer 1000A

3 x single pole switching

article number	reference number	cable termination components	design	weight kg ¹	package
1.712.900	N1023121A	M12 multiple termination Al/Cu max. 300mm ² round stranded, sectoral stranded (2 cable lugs), Cu max. 150mm ² round stranded, sectoral stranded (3 cable lugs), M = 32-38 Nm	with ready fitted NH-solid links 1000A	11.50	1 piece

MULTIVERT® transformer main incomer 630kVA / 910A

NH-transformer main incomers 630kVA/910A, 690VAC

in accordance with IEC/EN 60 947-3.

- Installation on to 185mm bus bar system
- Suitable for top/bottom cable terminal connection
- With installed cover shroud
- Terminal lugs for cable terminations of large cross sections - multiple termination
- For NH-Fuse links “gTr” in accordance with IEC/EN 60 269-1, VDE 0636



MV6M301K701G

MULTIVERT® transformer main incomer

630kVA / 910A

1 x triple pole switching

article number	reference number	cable termination components	design	weight kg ¹	package
MV6M301K701G	V1023265A	M12 multiple termination Al/Cu max. 300mm ² round stranded, sectoral stranded (2 cable lugs), Cu max. 150mm ² round stranded, sectoral stranded (3 cable lugs), M = 32-38Nm	for NH-fuse links “gTr”	1.36	1 piece

MULTIVERT® main incomer

MULTIVERT® main incomer

NH-vertical main incomers

Technical data in accordance with EN / IEC 60947

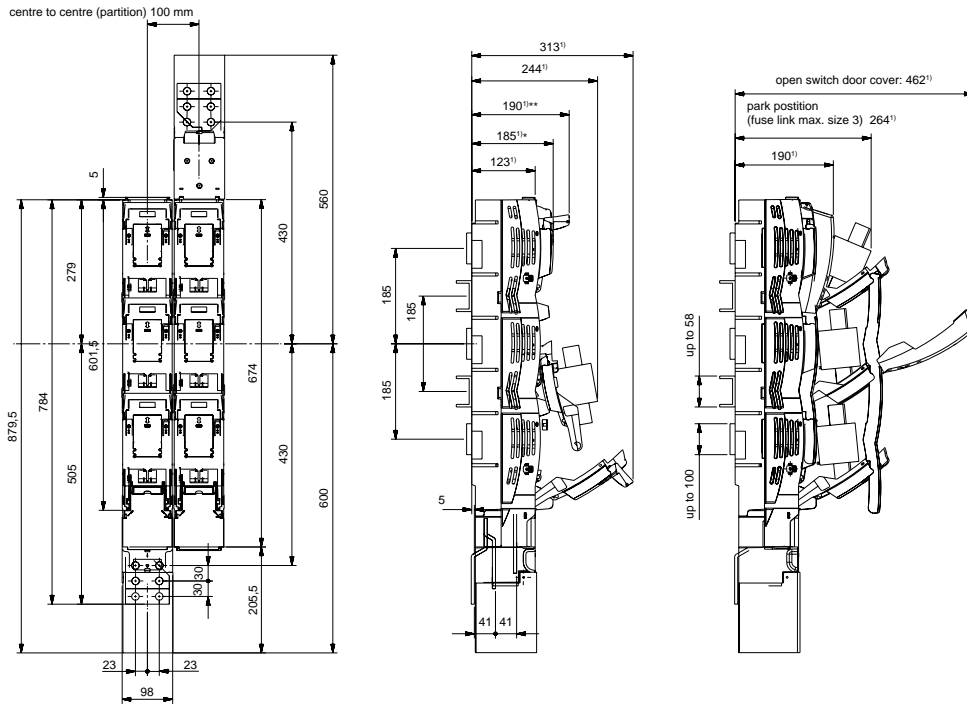
	1000A 1 x triple pole switching	1000A 3 x single pole switching	630kVA / 910A 1 x triple pole switching
Installation mode	bus bar installation	bus bar installation	bus bar installation
Size	3	3	3
Number of poles/phases	3	3	3
Conventional free air thermal current with NH-fuse links I_{th}	-	-	910A
Max. power dissipation of NH-fuse links P_n	-	-	62W
Conventional free air thermal current with solid links I_{th}	1000A	1000A	-
Max. power dissipation of solid links P_n	12W	12W	-
Utilization category to IEC/EN 60947-3 $U_e = AC 400V; I_b = 910A$ $U_e = AC 400V; I_b = 1000A$ $U_e = AC 690V; I_b = 1000A$	- AC 21 B AC 20 B	- AC 21 B AC 20 B	AC 21 B - -
Rated operational voltage U_e	690V	690V	690V
Rated insulation voltage U_i	1000V	1000V	1000V
Rated impulse withstand voltage U_{imp}	8kV	8kV	8kV
Rated frequency	50 ... 60Hz	50 ... 60Hz	50 ... 60Hz
Degree of protection	IP20	IP20	IP20
Degree of pollution	3	3	3
Rated duty	uninterrupted duty	uninterrupted duty	uninterrupted duty
Rated short circuit making capacity with solid links I_{cm}	15kAsw	15kAsw	-
Rated short circuit making capacity with fuse links $U_e = AC 400V; I_b = 910A$	-	-	35kA
Power dissipation by I_{th} without NH-fuse links	-	-	129W
Power dissipation by I_{th} 1000A without solid links	270W	270W	-
Cable terminal connection			
Standard cable terminal	2xM12	2xM12	2xM12
for cable lugs Cu max.	2x300mm ² /phase 3x150mm ² /phase	2x300mm ² /phase 3x150mm ² /phase	2x300mm ² /phase 3x150mm ² /phase
for cable lugs Al max.	2x300mm ²	2x300mm ²	2x300mm ²
for copper bars with max. dimensions	80x10mm	80x10mm	80x10mm

MULTIVERT® main incomer

MULTIVERT® 1000A

MULTIVERT® main incomer 1000A

Dimensions
M01163a

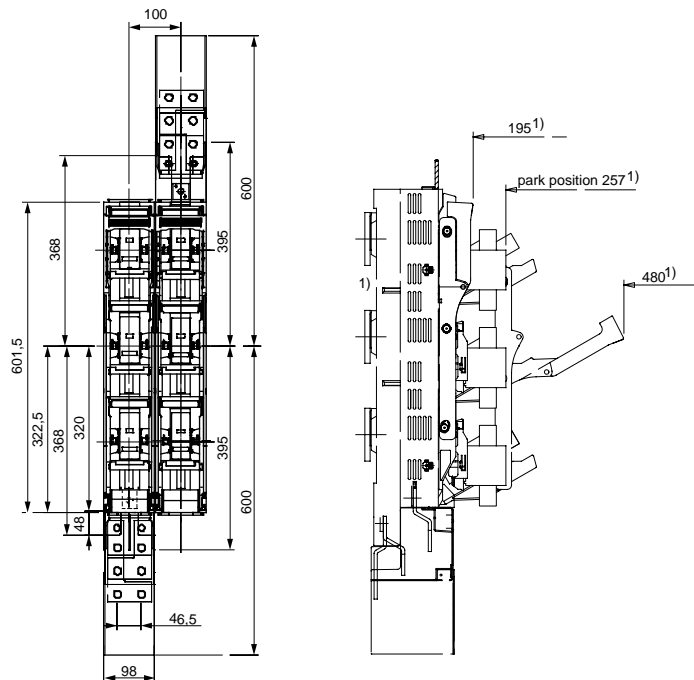


- 1) dimensions from upper edge of bus bar
 * 158mm handle in closed position (folded) = total installation depth of MULTIVERT
 ** 158mm handle in open position (fixed) - switching position

MULTIVERT® 630 kVA/910A

MULTIVERT® transformer main incomer 630 kVA/910A

Dimensions
M01103b



- 1) dimensions from upper edge of bus bar

MULTIVERT® 1250A, 1600A

MULTIVERT® 1250A

NH-vertical fuse switch disconnecter size 4a, 1250A, 690VAC

in accordance with IEC/EN 60 947-3.

For NH-fuse links size 4a in accordance with IEC/EN 60 269-2, VDE 0636-2.

- Installation on to 185mm bus bar system
- Top or bottom cable terminal connection



1.000.093 1.000.094

MULTIVERT® 1250A size 4a 3 x single pole switching

article number	reference number	cable termination components	design	weight kg ¹	package
1.000.093	A1023270A	M16 screw terminal	bottom terminal	16.40	1 piece
1.000.094	B1023271A	M16 screw terminal	top terminal	16.40	1 piece

MULTIVERT® 1600A

NH-vertical fuse switch disconnecter size 4a, 1600A, 690VAC

in accordance with IEC/EN 60 947-3.

For NH-fuse links size 4a in accordance with IEC/EN 60 269-2, VDE 0636-2.

- Installation on to 185mm bus bar system
- Top or bottom cable terminal connection



1.000.095 1.000.096

MULTIVERT® 1600A size 4a 3 x single pole switching

article number	reference number	cable termination components	design	weight kg ¹	package
1.000.095	C1023272A	2xM12 screw terminal	bottom terminal	16.50	1 piece
1.000.096	D1023273A	2xM12 screw terminal	top terminal	16.50	1 piece

MULTIVERT® 1250A, 1600A

MULTIVERT® 1250A, 1600A

NH-vertical fuse switch disconnecter size 4a 1250A, 1600A, 690VAC

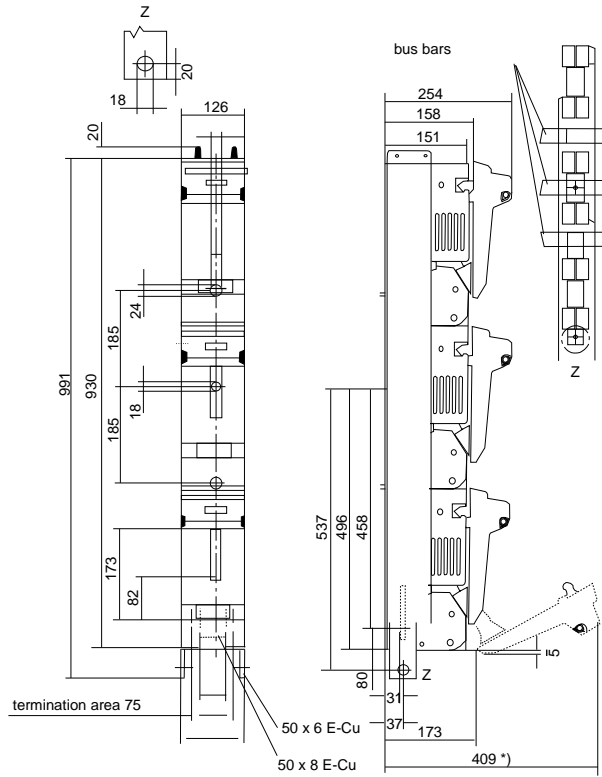
Technical data in accordance with EN / IEC 60947

	1250A 3 x single pole switching	1600A 3 x single pole switching
Installation mode	bus bar installation	bus bar installation
Size	4a	4a
Number of poles/phases	3	3
Conventional free air thermal current with NH-fuse links I_{th}	1250A	1600A
Max. power dissipation of NH-fuse links P_n	110W	140W
Conventional free air thermal current with solid links I_{th}	1250A	1600A
Max. power dissipation of solid links P_n	42W	42W
Utilization category to IEC/EN 60947-3 $U_e = AC 400V; I_b = 1600A$ $U_e = AC 500V; I_b = 1250A$	- AC 22 B	AC 21 B -
Rated operational voltage U_e	690V	690V
Rated insulation voltage U_i	1000V	1000V
Rated impulse withstand voltage U_{imp}	8kV	8kV
Rated frequency	50 ... 60Hz	50 ... 60Hz
Degree of protection	IP20	IP20
Degree of pollution	3	3
Rated duty	uninterrupted duty	uninterrupted duty
Rated short circuit making capacity with solid links I_{cm}	68kAsw	68kAsw
Rated short circuit making capacity with fuse links $U_e = AC 400V; I_b = 1600A$ $U_e = AC 690V; I_b = 1250A$	- 50kA	31.5kA -
Rated short circuit withstand current I_{cw}	32kA / 1s	32kA / 1s
Power dissipation by I_{th} without NH-fuse links	336W	568W
Power dissipation by I_{th} 1000A without solid links	336W	568W
Cable terminal connection		
Standard terminal	M16	2 x M12
for copper bars with max. dimensions	80x10mm	80x10mm

MULTIVERT® 1250A, 1600A

MULTIVERT® NH-vertical fuse switch disconnecter 1250A, 1600A

Dimensions
M02004

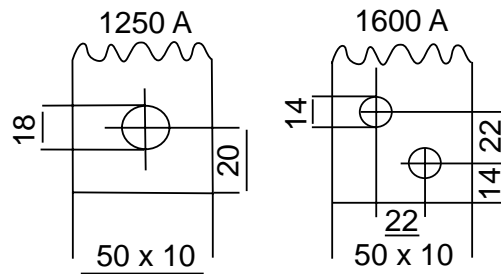


*) to remove switch door cover 425 mm are required

MULTIVERT® 1250A, 1600A

Cable termination MULTIVERT® 1250A, 1600A

Dimensions
M02040



MULTIVERT® NH-vertical fuse switch disconnecter

MULTIVERT® 1250A, 1600A

MULTIVERT® 1250A, 1600A

NH-vertical fuse switch disconnecter size 4a 1250A, 1600A, 690VAC

Technical data in accordance with EN / IEC 60947

	1250A 3 x single pole switching	1600A 3 x single pole switching
Installation mode	bus bar installation	bus bar installation
Size	4a	4a
Number of poles/phases	3	3
Conventional free air thermal current with NH-fuse links I_{th}	1250A	1600A
Max. power dissipation of NH-fuse links P_n	110W	140W
Conventional free air thermal current with solid links I_{th}	1250A	1600A
Max. power dissipation of solid links P_n	42W	42W
Utilization category to IEC/EN 60947-3 $U_e = AC 400V; I_c = 1600A$ $U_e = AC 500V; I_c = 1250A$	- AC 22 B	AC 21 B -
Rated operational voltage U_e	690V	690V
Rated insulation voltage U_i	1000V	1000V
Rated impulse withstand voltage U_{imp}	8kV	8kV
Rated frequency	50 ... 60Hz	50 ... 60Hz
Degree of protection	IP20	IP20
Degree of pollution	3	3
Rated duty	uninterrupted duty	uninterrupted duty
Rated short circuit making capacity with solid links I_{cm}	68 kAsw	68kAsw
Rated short circuit making capacity with fuse links $U_e = AC 400V; I_c = 1600A$ $U_e = AC 690V; I_c = 1250A$	- 50kA	31.5kA -
Rated short circuit withstand current I_{sw}	32kA / 1s	32kA / 1s
Power dissipation by I_{th} without NH-fuse links	336W	568W
Power dissipation by I_{th} 1000A without solid links	336W	568W
Cable terminal connection		
Standard cable terminal	M16	2xM12
for copper bars with max. dimensions	80x10mm	80x10mm