

Fuse Box on the Roof 1500VDC

ON BOARD FUSE BOX AND CONNEXION BOX

FUSE BOX RANGE 750VDC - 1500VDC - 2000VDC



For more than 50 years, Mersen have been providing the market with safe, reliable and longer life time fuse boxes. These devices offer high performances and robustness for heavy duty requirements with very limited maintenance.

Mersen offers one of the largest product ranges on the market and have a Fuse Box solution that will meet your unique needs.

Our Fuse Box product line is rigorously engineered to meet your technical specifications and can see their dimensions be customised to your needs.

They can be installed vertically or horizontally on the roof or on the bogie.

They can include additional functions like Voltage or Current measurement system or relays for Voltage detection.

Our Fuse box has a strong resistance to mechanical impacts, rain, snow, wind, sun, detergents, vibration

Box Configuration can include:

- Fuse micro switches (blown fuse indication) or window
- Voltage presence relay
- Energy Measurement (V/A/W)

CEI & UL standard fuses

Fuse Boxes can be coloured upon request (cosmetic reason)

TECHNICAL DATA OVERVIEW

Voltage DC	1500 VDC
Ampere Range (A)	400 ... 3500 A
Breaking capacity	See DC fuse characteristics
Working Temperature	-20°C to +40°C

FEATURES & BENEFITS

- Single shape moulded box and cover which can be customised to your dimensions and have its number of entries and exits adapted
- Fuse Boxes can host 1, 2 or 3 different circuits with separate or common entries and exits
- 750VDC; 1500VDC; 2000VDC
- Current range up to 3500A DC per box (6 fuses in parallel)
- Connection: cable glands/protected by cover
- Covers equipped with captive screws
- Polyester resin reinforced with 25% glass fiber, fire & smoke classification M1F1 under NF F 16 101/16 102, coated with GELCOAT, 300 to 400 µm thick, available in a variety of colors, fire & smoke classification M1F3 under NF F 16 101/16 102
- or Sheet Moulding Compound (SMC): Polyester resin reinforced with 25% glass fiber, dyed in the mass, fire & smoke classification M1F2 under NF F 16 101/16 102
- Can be mounted on U-shape rails with Micaver insulators or screwed onto moulded blind-hole inserts

APPLICATIONS

- Power Converter or Circuit Breaker power supply protection

STANDARDS

- IEC 61373 level 3
- M1F3 or M1F2 following NF F 16 101/16 102
- EN 45545



MERSEN reserves the right to change, update or correct, without notice, any information contained in this datasheet.

Fuse Box on the Roof 1500VDC

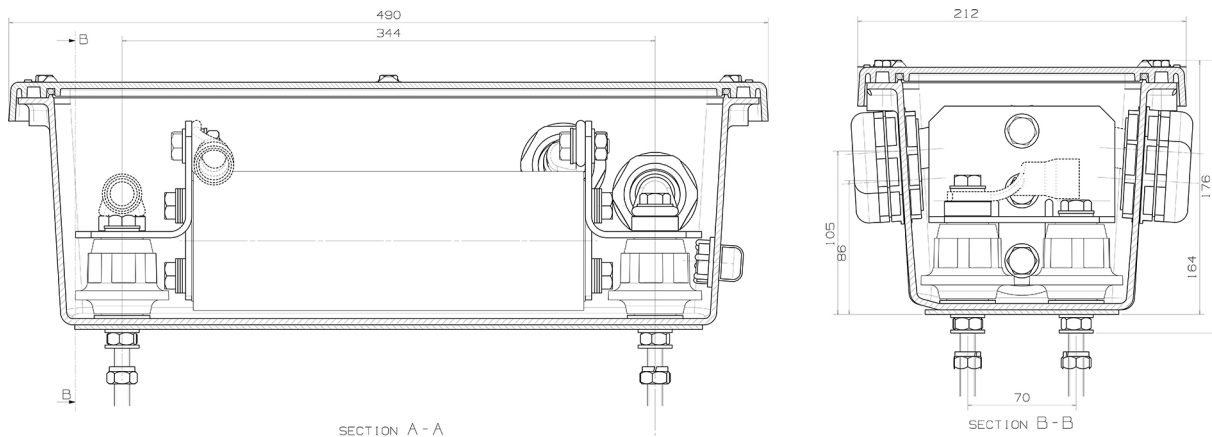
TECHNICAL DATA

		Fuse_Box details
Mounting		Horizontal or Vertical
IP		55

DIMENSIONS

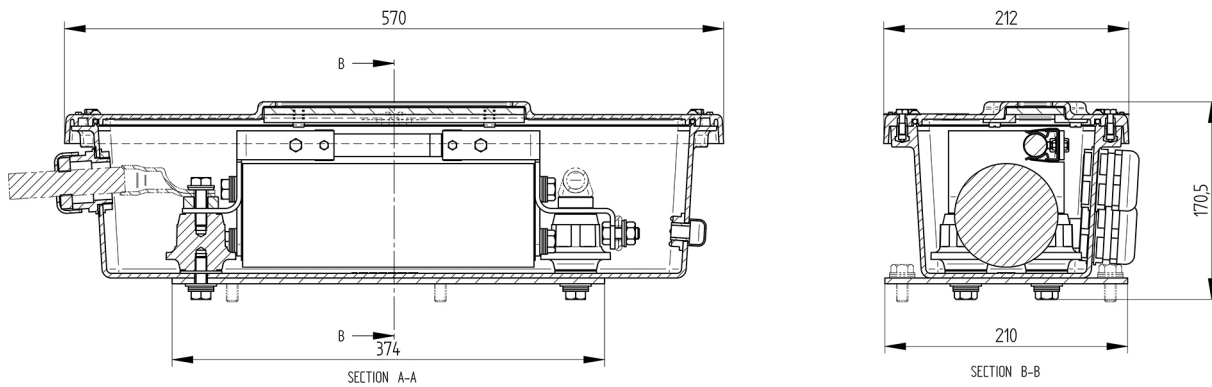
1900VDC Fuse Box compact size - 1 Fuse 90X254 W/O MC (400; 500; 600Amp) - DWG 127327

1900VDC Fuse Box compact size - 1 Fuse 146X225 W/O MC (850; 1000Amp) - DWG 112870



Dimensions in mm

1900VDC Fuse Box compact size - 1 Fuse 90X254 With MC (400, 500, 600Amp) - DWG 1036410



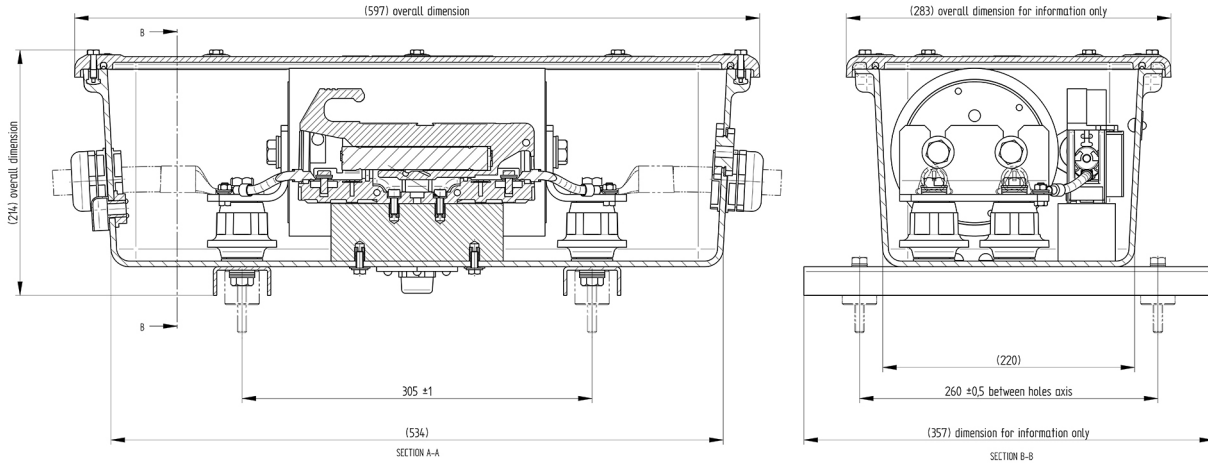
Dimensions in mm

MERSEN reserves the right to change, update or correct, without notice, any information contained in this datasheet.

Fuse Box on the Roof 1500VDC

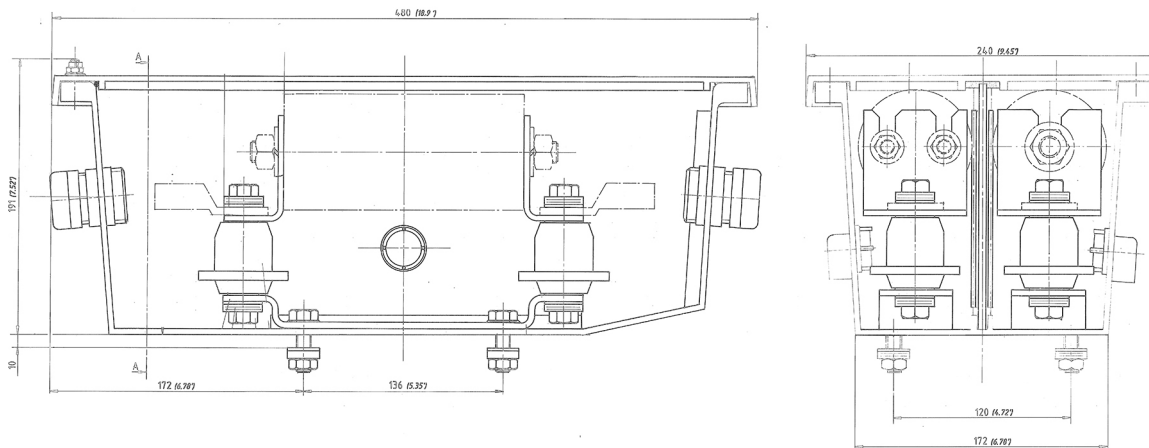
DIMENSIONS

1900VDC Fuse Box compact size - 1 Fuse 146X225 With MC (850, 1000Amp) - DWG 1033624



Dimensions in mm

1900VDC Fuse Box compact size - 2 Fuses 90X254 W/O MC (800, 1000, 1200Amp) - DWG 101523



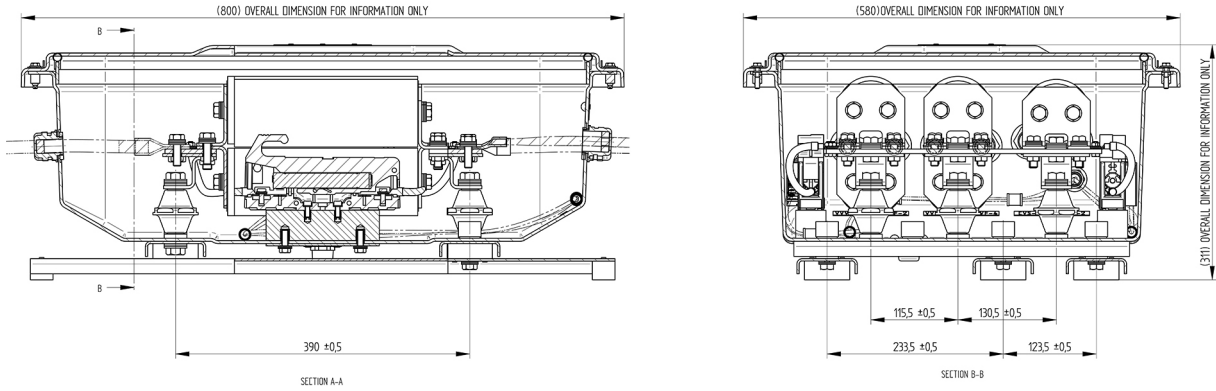
Dimensions in mm

MERSEN reserves the right to change, update or correct, without notice, any information contained in this datasheet.

Fuse Box on the Roof 1500VDC

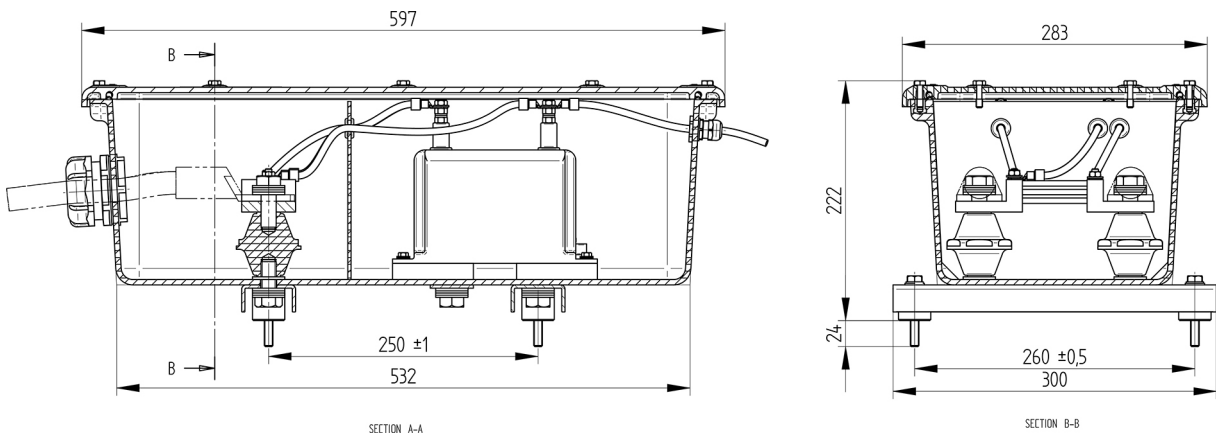
DIMENSIONS

1900VDC Fuse Box compact size - 6 Fuses 90X254 With MC - DWG 1039789



Dimensions in mm

Energy Measurement (Volt and Amp) - Voltage detection - DWG 1047325



Dimensions in mm

MERSEN reserves the right to change, update or correct, without notice, any information contained in this datasheet.

Fuse Box on the Roof 1500VDC

FUNCTIONS



Blown Fuse Indication

All fuses can be equipped with microswitches to signal their status (blown or not).

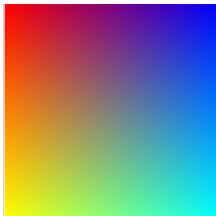


Volt and Amp measurement

Voltage detection

Fuse Box can include Volt and Amp measurement devices.

Fuse Box can include Voltage detection system using Mors Smitt HVDR relay.



Colour

Initial colour of our Fuseboxes is RAL 7010 but we can change it for a specified colour requested by you as per the RAL chart (mass tainted minimum 200 boxes), for purely cosmetic reasons.



Training and technical support

All around the world, Mersen technical team can help you for technical support and can offer you customized training sessions for your Maintenance team.



LCC; RAMS; Type tests

Mersen teams can supply Life Cycle Costs (LCC), Reliability Availability Maintainability Safety (RAMS), and Failure Mode and Effect Analysis (FMEA) studies. They can operate Qualification type tests.

Fuse Box on the Roof 1500VDC

ACCESSORIES



D1039235

Cable Glands

Catalog number	Item number	Package	Weight
Cable Gland ISO Diam 50	D1039235	10 pieces	50 g
Cable Gland ISO Diam 40	B1039233	10 pieces	50 g
Cable Gland ISO Diam 32	P127364	10 pieces	50 g



A225860A

Traction fuses

Catalog number	Item number	Package	Weight
CC1900 C1 GRB 90X254 TTD400	F221909A	1 piece	3.8 kg
CC1900 C1 GRB 90X254 TTD500	L221477A	1 piece	3.8 kg
CC1900 C1 GRB 90X254 TTD600	A225860A	1 piece	3.8 kg
CC 1900 C1GRB 146.225 TTQ 0850	F1012327A	1 piece	9.7 kg
CC 1900 C1GRB 146.225 TTQ 1000	R220723A	1 piece	9.7 kg