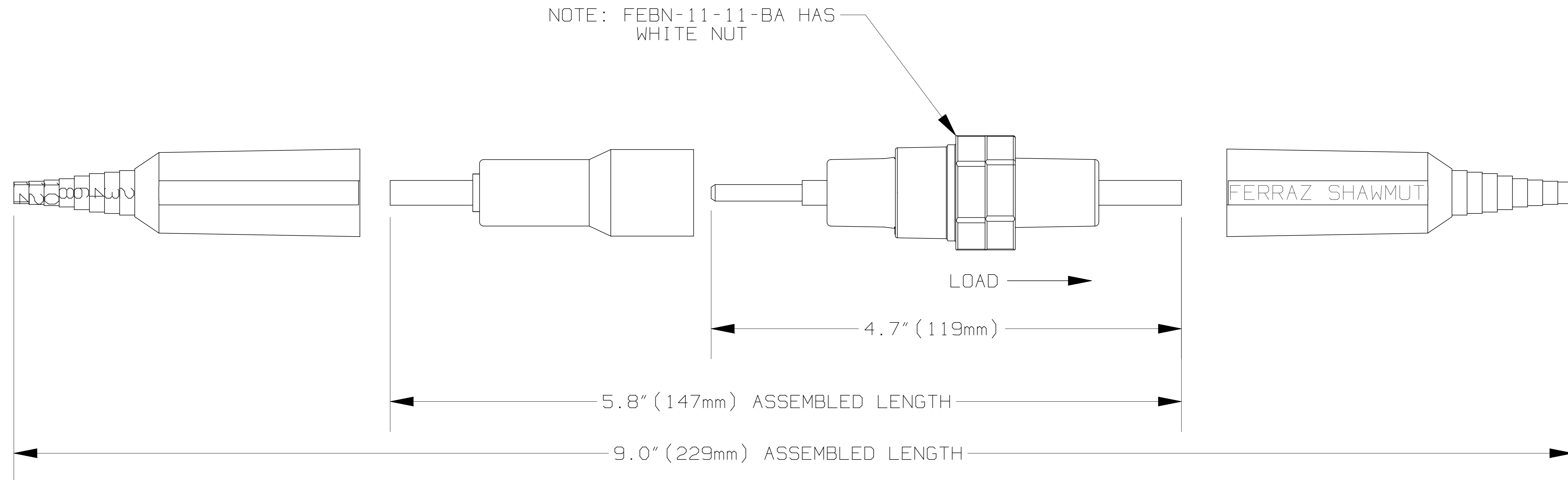


REV	DATE	ECO	DESCRIPTION	BY	CK	APP
-	4/23/01	N/A	INITIAL RELEASE	LAS	N/A	N/A
A	6/21/02	N/A	INDICATED LOAD SIDE ADDED NOTE	LAS	N/A	N/A



P/N	AMPERE RATING	RMS SYM RATING	CONN TYPE	TORQUE (LBS-IN)	WIRE			UL		CSA	
					WIRE RANGE	°C	TYPE	FILE NO.	GUIDE NO.	FILE NO.	CLASS
FEC-11-11-BA	30	200,000	Cu CRIMP	-	{1}#8-#12 SOL/STR {2}#12-#14 SOL/STR	75	Cu	E52283	IZLT	32169	6225
FEB-11-11-BA	30	100,000	Cu CRIMP	-	{1}#8-#12 SOL/STR {2}#12-#14 SOL/STR	75	Cu	E52283	IZLT2	32169	6225
FEBN-11-11-BA	30	-	Cu CRIMP	-	{1}#8-#12 SOL/STR {2}#12-#14 SOL/STR	75	Cu	E52283	IZLT2	32169	6225



MERSEN USA NEWBURYPORT-MA, LLC
 374 MERRIMAC STREET
 NEWBURYPORT, MA 01950

FUSE HOLDER, 600V-30A,
 1 POLE, IN-LINE,
 MIDGET, CLASS CC, NEUTRAL
 BREAKAWAY CONFIGURATION

OUTLINE DIMENSIONS
 NOT TO BE USED FOR PRODUCTION

700646

PRODUCT MANAGER	DESIGN ENGINEER
SIGN:	SIGN:
DATE:	DATE: