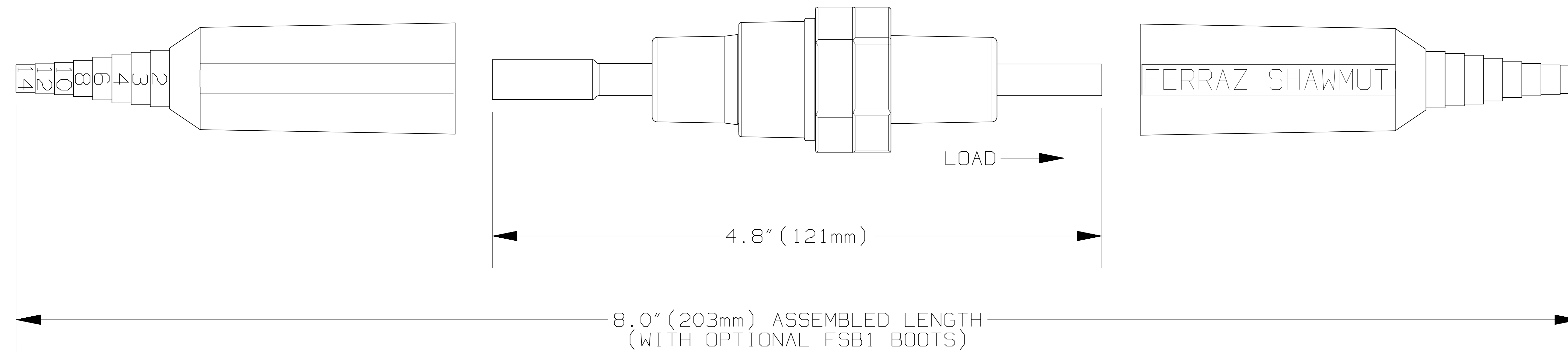


REV	DATE	ECO	DESCRIPTION	BY	CK	APP
-	4/23/01	N/A	INITIAL RELEASE	LAS	N/A	N/A



P/N	AMPERE RATING	RMS SYM RATING	CONN TYPE	TORQUE (LBS-IN)	WIRE			UL		CSA	
					WIRE RANGE	°C	TYPE	FILE NO.	GUIDE NO.	FILE NO.	CLASS
FEC-11-21	30	200,000	11-Cu CRIMP	-	{1}#8-#12 SOL/STR {2}#12-#14 SOL/STR	75	Cu	E52283	IZLT	32169	6225
			21-Cu CRIMP	-	{1}#4 SOL {1}#6 SOL/STR {2}#10 SOL/STR						
FEB-11-21	30	100,000	11-Cu CRIMP	-	{1}#8-#12 SOL/STR {2}#12-#14 SOL/STR	75	Cu	E52283	IZLT2	32169	6225
			21-Cu CRIMP	-	{1}#4 SOL {1}#6 SOL/STR {2}#10 SOL/STR						



MERSEN USA NEWBURYPORT-MA, LLC
374 MERRIMAC STREET
NEWBURYPORT, MA 01950

FUSE HOLDER, 600V-30A
1 POLE, IN-LINE
MIDGET, CLASS CC

OUTLINE DIMENSIONS
NOT TO BE USED FOR PRODUCTION

700679

PRODUCT MANAGER
SIGN:
DATE:

DESIGN ENGINEER
SIGN:
DATE: