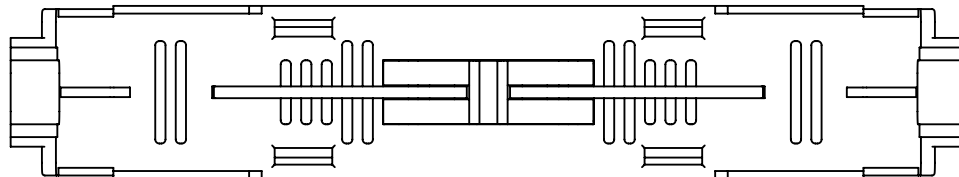
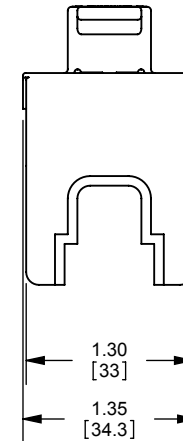
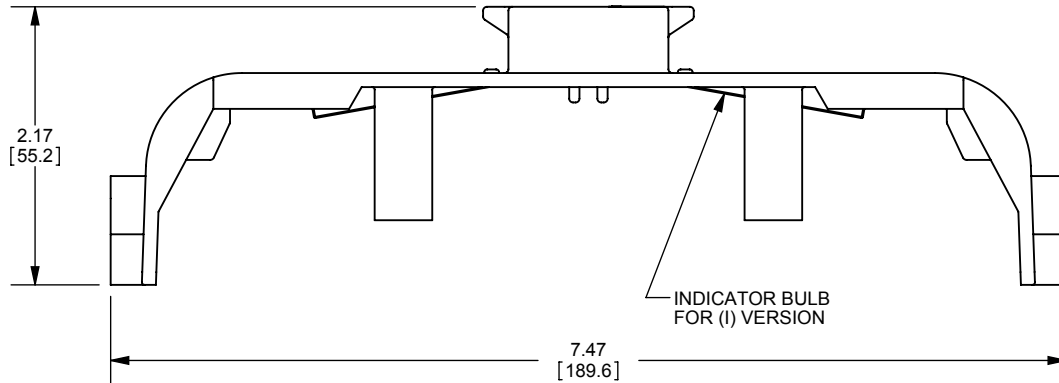
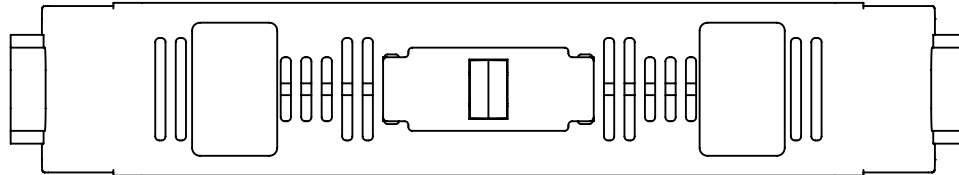


REV.	DATE	ECO	DESCRIPTION	BY	CK	APP
-	8/20/2007	N/A	INITIAL RELEASE	LDB	N/A	N/A



DIMENSIONS IN [] ARE MILLIMETERS



FERRAZ SHAWMUT INC.
374 MERRIMAC STREET
NEWBURYPORT, MA 01950

DFC-5(I)

OUTLINE DIMENSIONS
NOT TO BE USED FOR PRODUCTION

PRODUCT MANAGER

DESIGN ENGINEER

SIGN:

SIGN:

DATE:

DATE:

SAFETY COVER CLASS H,K,R

60A 600V

701377