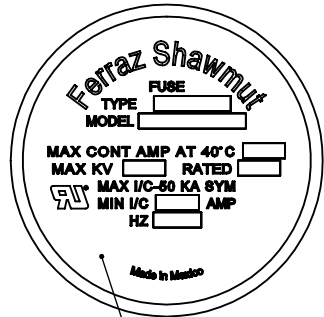
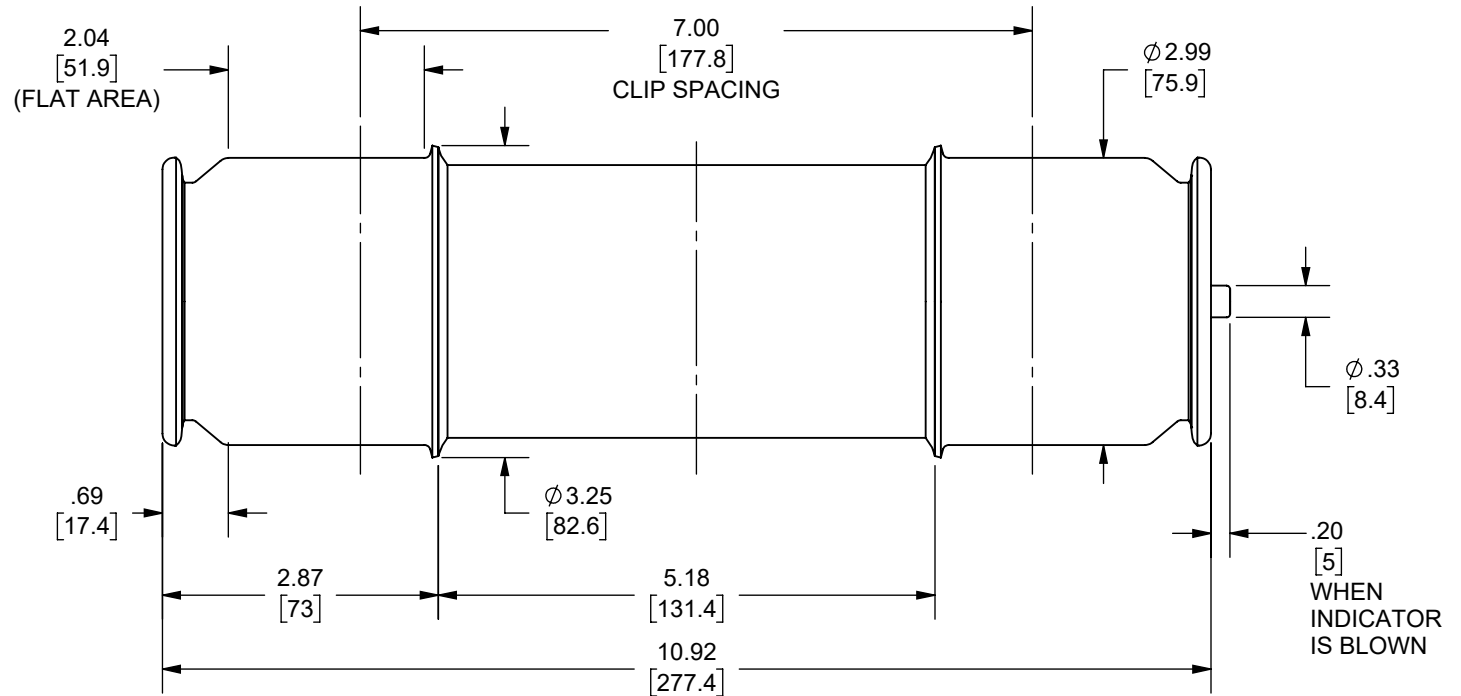


REV.	DATE	ECO	DESCRIPTION	BY	CK	APP
-	4/22/2015	21245	INITIAL RELEASE	KMH	N/A	N/A
A	4/9/2024	18268	UPDATED TITLE BLOCK AND AMP RATING, ADDED GENERAL TABLE	YF	N/A	SEE ECO



NAMEPLATE INFORMATION

OUTLINE DIMENSIONS
NOT TO BE USED FOR PRODUCTION

DIMENSIONS IN []
ARE MILLIMETERS

<i>Approval stage / Etat d'approbation:</i> APPROUVÉ POUR FABRICATION / APPROVED FOR MANUFACTURING		Product Class:/ Product Type: MV R-RATED	
<i>Initial ECO / ECO intiale:</i> ECO-18268-000		Product amp rating:/ Voltage rating: 2R-9R, 12X	
<i>Draw by / Dessiné par:</i> Yadyra Fang		Title / Titre: OUTLINE 9F60LCB(502-512)	
Date : 4/22/2024		Weight : Masse :	
<i>Checked by / Vérifié par:</i> Luis ARMENTA		Drawing / de dessin: 702081	
Date : 4/22/2024		Rev : A Rév :	
Electrical Power 374 MERRIMAC STREET NEWBURYPORT, MA 01950		Éch / Scale : 1:2 Format / Size : A	
Part / Article: SEE TABLE		Page : 1/1	



Ce plan strictement confidentiel est la propriété exclusive de la société MERSEN sans l'autorisation écrite de laquelle il ne peut être ni reproduit, ni copié, ni communiqué à des tiers.
 This drawing and specifications there on is property of MERSEN and shall not be reproduced or copied or used in whole or in part as the base for manufacture or sale of item without written permission.

9F60LCB512
9F60LCB509
9F60LCB506
9F60LCB504
9F60LCB503
9F60LCB502
CATALOG NUMBER