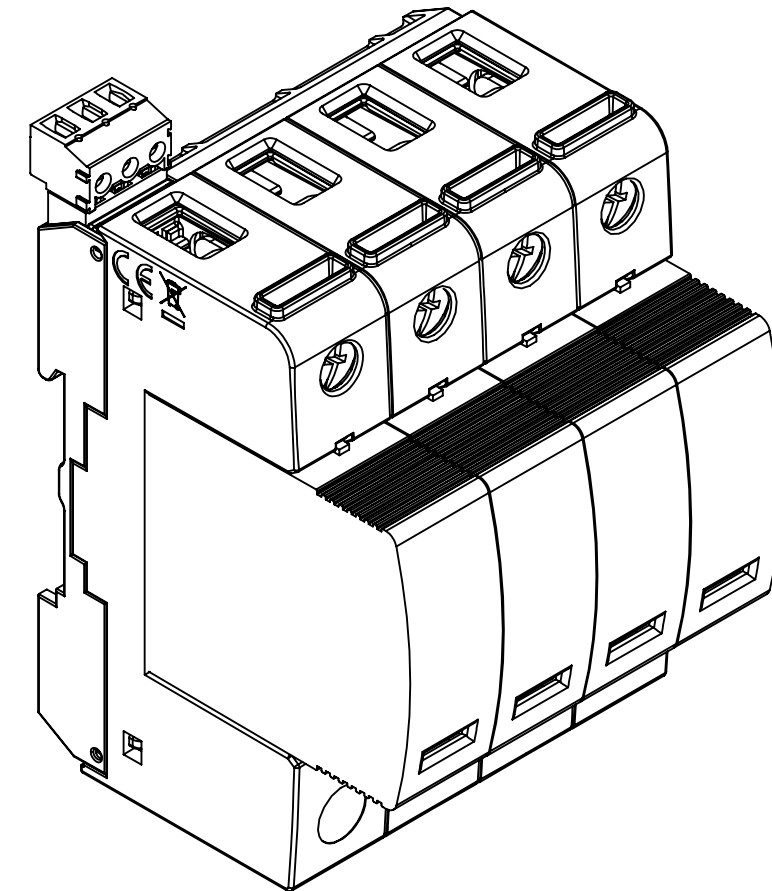
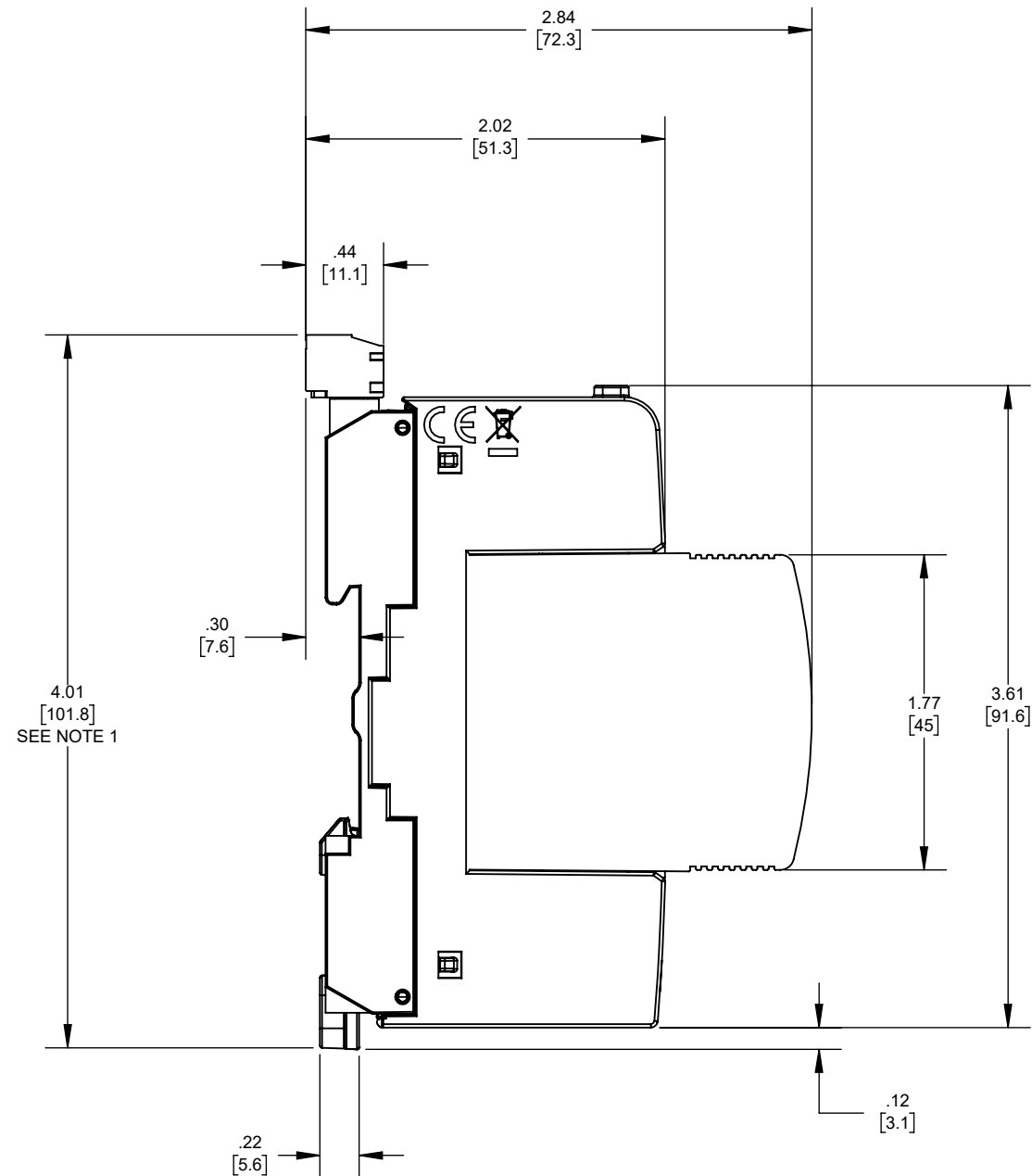


REV.	DATE	ECO	DESCRIPTION	BY	CK	APP
D	9/8/2023	102687	STP347P07M WAS STP477P07M, UPDATED PLUG POSITION ON SHEET 2, ADDED SNAP DIM	YF	N/A	SEE ECO
E	9/12/2023	102697	ADDED .69 DIM, UPDATED NOTES	YF	N/A	SEE ECO



OUTLINE DIMENSIONS
NOT TO BE USED FOR PRODUCTION DIMENSIONS IN [] ARE MILLIMETERS

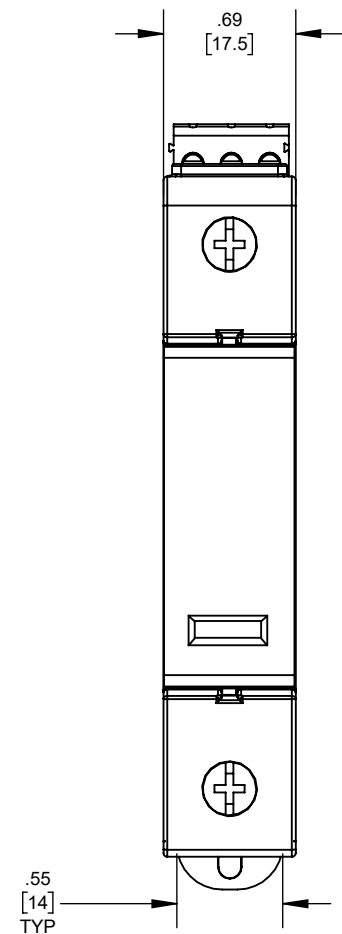
NOTES:

1. SNAP IN LOCK POSITION, THE MEASUREMENT WITH UNLOCK POSITION IS 4.22".

Approval stage / Etat d'approbation: APPROUVÉ POUR FABRICATION / APPROVED FOR MANUFACTURING		Product Class:/ Product Type: Surge-Trap® SPD Pluggable	
Initial ECO / ECO initiale: ECO-17426-000		Product amp rating:/ Voltage rating: 50-75kA 120-690V	
Draw by / Dessiné par: Yadyra Fang	Date: 9/12/2023	Title / Titre: OUTLINE STP-50, STP-75 SERIES	Weight : Masse :
Checked by / Vérifié par: Alma Balcazar	Date: 9/12/2023	Drawing / de dessin: 702157	Rev : Rév : E
Electrical Power 374 MERRIMAC STREET NEWBURYPORT, MA 01950	Éch / Scale : 1:1 Format / Size : B	Part / Article: STP-50, STP-75	Page : 1/2

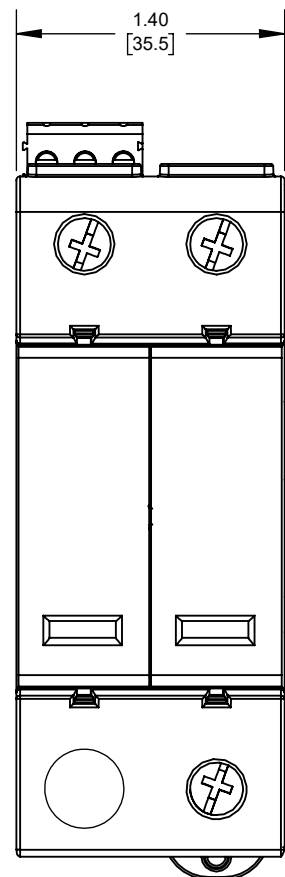


Ce plan strictement confidentiel est la propriété exclusive de la société MERSEN sans l'autorisation écrite de laquelle il ne peut être ni reproduit, ni copié, ni communiqué à des tiers.
This drawing and specifications there on is property of MERSEN and shall not be reproduced or copied or used in whole or in part as the base for manufacture or sale of item without written permission.



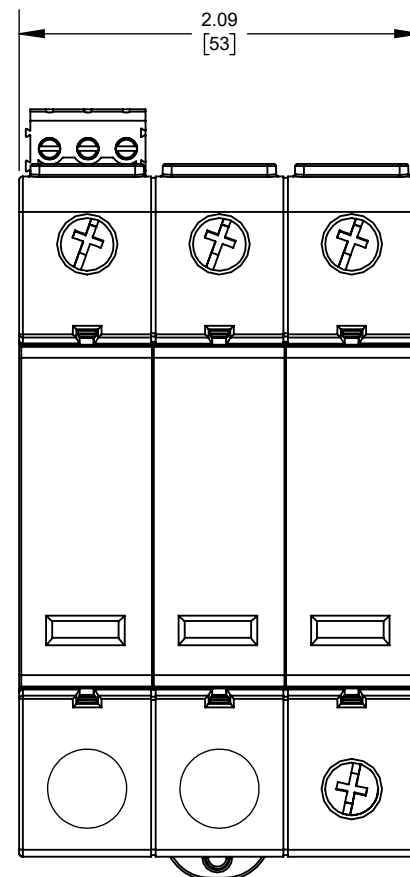
1 POLE
CATALOG NUMBER

- | | |
|------------|------------|
| STP120P05M | STP120P07M |
| STP230P05M | STP230P07M |
| STP277P05M | STP277P07M |
| STP347P05M | STP347P07M |



2 POLES
CATALOG NUMBER

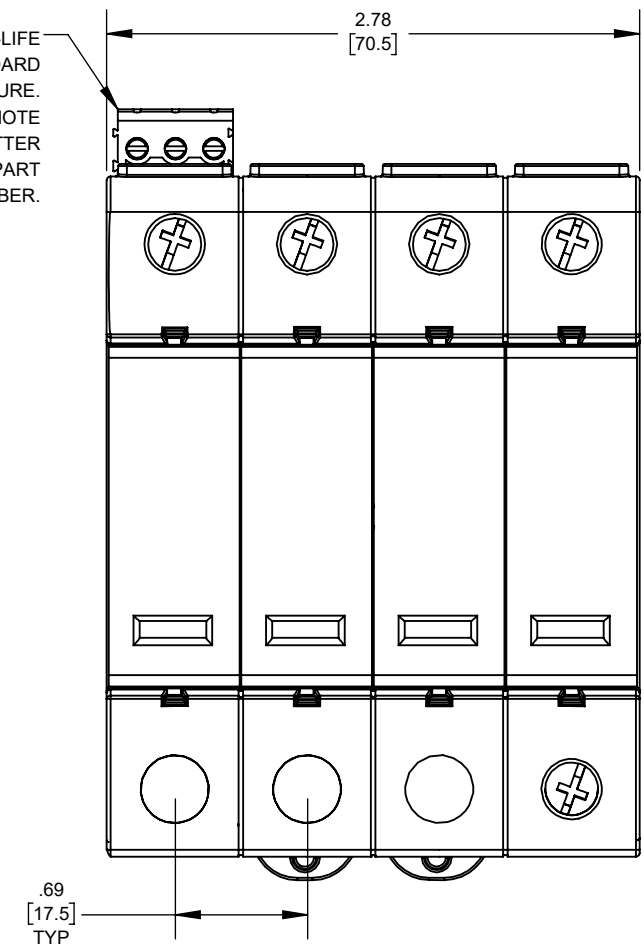
- | | |
|-------------|-------------|
| STP120PN05M | STP120PN07M |
| STP240S05M | STP240S07M |
| STP480S05M | STP480S07M |



3 POLES
CATALOG NUMBER

- | | |
|-------------|-------------|
| STP240SN05M | STP240SN07M |
| STP240D05M | STP240D07M |
| STP480D05M | STP480D07M |
| STP208Y05M | STP208Y07M |
| STP480Y05M | STP480Y07M |
| STP600Y05M | STP600Y07M |
| STP690Y05M | STP690Y07M |

MICROSWITCH END-OF-LIFE INDICATOR IS STANDARD FEATURE.
TO REMOVE THE REMOTE INDICATION, OMIT THE LETTER "M" TO THE END OF THE PART NUMBER.



4 POLES
CATALOG NUMBER

- | | |
|-------------|-------------|
| STP208YN05M | STP208YN07M |
| STP480YN05M | STP480YN07M |
| STP600YN05M | STP600YN07M |
| STP690YN05M | STP690YN07M |
| STP240HN05M | STP240HN07M |
| STP480HN05M | STP480HN07M |

OUTLINE DIMENSIONS
NOT TO BE USED FOR PRODUCTION
DIMENSIONS IN [] ARE MILLIMETERS

Approval stage / Etat d'approbation: APPROUVÉ POUR FABRICATION / APPROVED FOR MANUFACTURING		Product Class: / Product Type: Surge-Trap® SPD Pluggable	
Initial ECO / ECO initiale: ECO-17426-000		Product amp rating: / Voltage rating: 50-75kA 120-690V	
Draw by / Dessiné par: Yadyra Fang	Date : 9/12/2023	Title / Titre: OUTLINE STP-50, STP-75 SERIES	
Checked by / Vérifié par: Alma Balcazar	Date : 9/12/2023	Drawing / de dessin: 702157	
Electrical Power 374 MERRIMAC STREET NEWBURYPORT, MA 01950	Éch / Scale : 1:1 Format / Size : B	Part / Article: STP-50, STP-75	Page : 2/2
Ce plan strictement confidentiel est la propriété exclusive de la société MERSEN sans l'autorisation écrite de laquelle il ne peut être ni reproduit, ni copié, ni communiqué à des tiers. This drawing and specifications there on is property of MERSEN and shall not be reproduced or copied or used in whole or in part as the base for manufacture or sale of item without written permission.			

Weight :
Masse :

Rev :
Rév : **E**