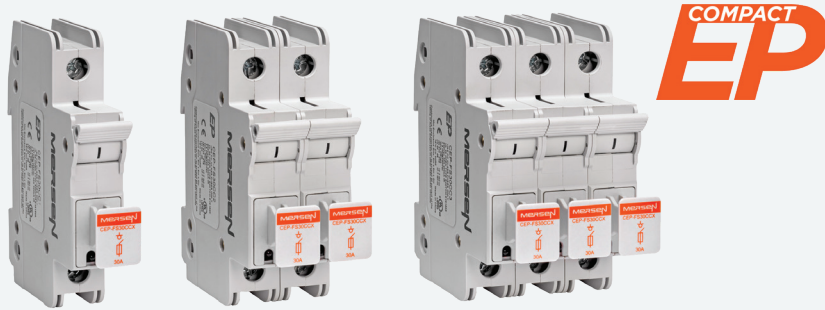


Compact Fused Switch

Compact EP

DISCONNECT SWITCHES

THE NEXT LEVEL OF SAFETY AND
EASE OF INSTALLATION



Mersen's Compact Fused Disconnect incorporates the switch functionality with the high protection level of a fuse. The switch accepts UL class CC fuses up to 30A. In addition to this, the Compact Fused Disconnect is UL 98 listed and suitable for use as main/feeder device and, in conjunction with CC fuses, is rated for branch circuit protection. It has a smaller footprint compared to a traditional Class CC disconnect with a max interrupting rating of 200kA.

The compact form factor and ease of installation makes it a great choice for panel builders. The easy lockout/tagout feature and IP20 rating ensures additional safety along with the built in switch capability.

FEATURES/BENEFITS:

- UL 98 30A Fused disconnect
- Smaller footprint compared to a traditional Class CC disconnect
- Accepts Class CC 30A fuses for branch circuit protection
- 35mm DIN rail mounted
- Built-in lockout/tagout feature
- 200kA SCCR rating
- 75°C CU Wire

Catalog Numbering System: CEP-FS30CC1

CEP	FS	30	CC	1
Compact Electrical Power	Fused Switch	30 Amps	CC - Accepts Class CC fuses	Single Pole

RATINGS:

- **Volts:** 347VAC - single pole
125VDC - single pole
600VAC - 2-3 pole
- **Amps:** 30A
- **SCCR:** 200kA

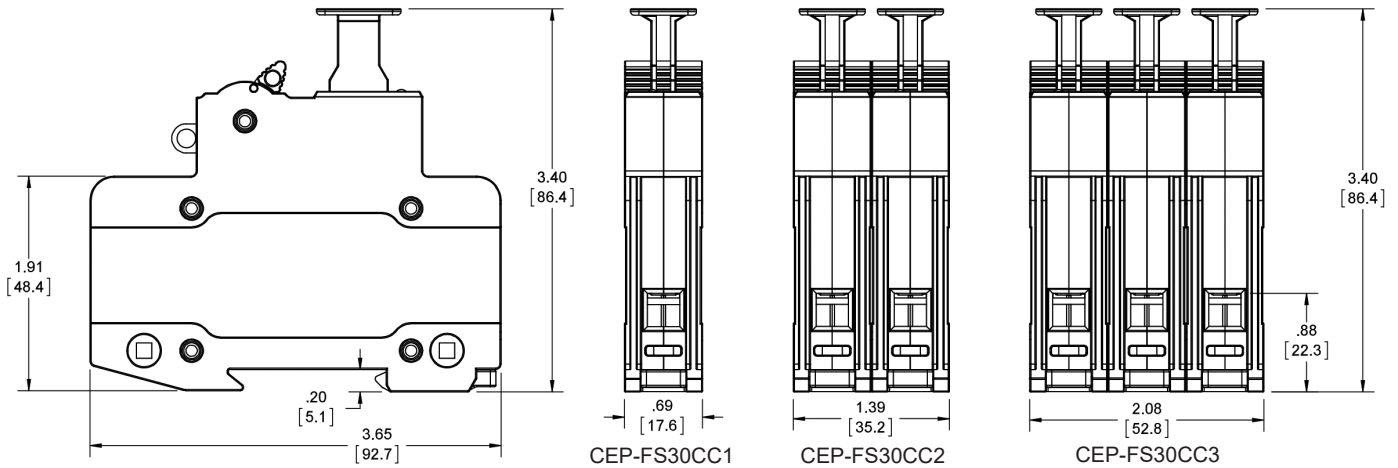
APPROVALS:

- cULus Listed file No. E191605
- UL 98 - Open type switches
- CSA C22.2 No. 4 - enclosed and deadfront switches
- IEC 60529 degree of protection IP20



D
S

DIMENSIONS

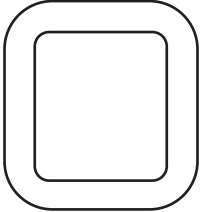


TERMINAL SPECIFICATIONS

- Wire range #4-18 AWG
- Solid copper wire range 10-18 AWG
- Wire strip length ½"
- Terminal screw driver: Pozidriv style Philips - slot
- Dual wire rated for same-size wire. See table below.

FACTORY & FIELD WIRING

- Minimum Indicator Voltage - 90VAC

Line Side/Load Side	Wire Size (CU Stranded)	Torque	Wires/Terminal	Wire Class (UL)
	#4 AWG	18 lbf. in 2 N.m	1	B, C
	#6-18 AWG	18 lbf. in 2 N.m	1-2	

HORSE POWER RATINGS - FOR MOTOR DISCONNECT APPLICATIONS

- CEP-FS30CC1 - 120VAC; 1 Phase; 0.5
- CEP-FS30CC2 - 240VAC; 1 Phase; 1.5
- CEP-FS30CC3 - 240VAC, 3 Phase; 3
480VAC; 3 Phase; 5
600VAC; 3 Phase; 7.5
- For motor HP ratings at full load current refer to UL table 50.1 in UL508A
- Max HP requires use of time delay fuses

ACCESSORIES

- CEP-FS30CC-FC - Replacement Fuse Carrier sold separately