

# Protistor® size 32 aR

450 to 690VAC (IEC) / 700VAC (UL)

## SEMICONDUCTOR PROTECTION FUSES

### SQUARE BODY HIGH-SPEED FUSE-LINKS AC PROTECTION



The 690/700V Protistor® fuse-links provide maximum flexibility in equipment design and ultimate protection for today's power conversion equipment. These aR ultra-fast acting square body fuse-links are available in different body sizes, each size having multiple worldwide acceptable mounting styles.

The Protistor® have been engineered to provide state-of-the-art protection for semiconductors: diodes, thyristors and IGBT devices. Fuses are assembled with die-cut elements embedded in solidified sand, which helps control arcing characteristics for a lower  $I^2t$  and high interrupting rating level. All contact surfaces are silver plated and all hardware is non-magnetic.

Each fuse-link can be equipped with a low voltage trip-indicator which can operate a field mountable microswitch.

## TECHNICAL DATA OVERVIEW

Voltage Range AC	450 ... 690 VAC
Ampere Range (A)	315 ... 1800 A
Speed/Characteristic	aR
I.R. AC	110 ... 200 kA
Product Size	32

## FEATURES & BENEFITS

- Multiple body sizes and terminals or blades combination
- aR Class according to IEC 60269-4 and VDE 636-23
- Very low  $I^2t$  for improved semiconductor protection
- Ultra fast acting
- Current limiting
- Superior cycling capability

## APPLICATIONS

- Protection of inverters, motor drives, UPS systems and similar 690V or less equipments.

## STANDARDS

- IEC 60269-4 Compliance
- UL/CSA Recognized E76491 : see « UL certified » status given in Product Range table
- CCC GB 13539.4 for Asian market only



# Protistor® size 32 aR

450 to 690VAC (IEC) / 700VAC (UL)

## PRODUCT RANGE



PC32UD69V800TF

### Size 32 type TTF M10 threaded terminals

Catalog number	Item number	Rated voltage AC (IEC)	Rated voltage AC (UL)	Rated current I <sub>n</sub>	Pre-arcing I <sup>2</sup> t	Clearing I <sup>2</sup> t at Rated Voltage	Rated breaking capacity AC	Power dissipation at I <sub>n</sub>	UL certified	Package	Weight
<b>Standard Terminal</b>											
PC32UD69V315TF	M302162	690 V	700 V	315 A	5.2 kA <sup>2</sup> s	31.8 kA <sup>2</sup> s	200 kA	71 W	✓	3	0.55 kg
PC32UD69V350TF	N302163	690 V	700 V	350 A	8.9 kA <sup>2</sup> s	53.7 kA <sup>2</sup> s	200 kA	71 W	✓	3	0.55 kg
PC32UD69V400TF	H300065	690 V	700 V	400 A	15 kA <sup>2</sup> s	90 kA <sup>2</sup> s	200 kA	72 W	✓	3	0.55 kg
PC32UD69V450TF	J300066	690 V	700 V	450 A	22 kA <sup>2</sup> s	130 kA <sup>2</sup> s	200 kA	77 W	✓	3	0.55 kg
PC32UD69V500TF	K300067	690 V	700 V	500 A	28 kA <sup>2</sup> s	160 kA <sup>2</sup> s	200 kA	85 W	✓	3	0.55 kg
PC32UD69V550TF	L300068	690 V	700 V	550 A	37 kA <sup>2</sup> s	215 kA <sup>2</sup> s	200 kA	90 W	✓	3	0.55 kg
PC32UD69V630TF	M300069	690 V	700 V	630 A	54 kA <sup>2</sup> s	310 kA <sup>2</sup> s	200 kA	95 W	✓	3	0.55 kg
PC32UD69V700TF	N300070	690 V	700 V	700 A	76 kA <sup>2</sup> s	440 kA <sup>2</sup> s	200 kA	100 W	✓	3	0.55 kg
PC32UD69V800TF	P300071	690 V	700 V	800 A	115 kA <sup>2</sup> s	660 kA <sup>2</sup> s	200 kA	110 W	✓	3	0.55 kg
<b>Reinforced Terminal</b>											
PC32UD69V900TF	Q300072	690 V	700 V	900 A	165 kA <sup>2</sup> s	990 kA <sup>2</sup> s	200 kA	110 W	✓	3	0.55 kg
PC32UD69V1000TF	S300074	690 V	700 V	1000 A	230 kA <sup>2</sup> s	1380 kA <sup>2</sup> s	200 kA	115 W	✓	3	0.55 kg
PC32UD60V1100TF	M300759	600 V	650 V	1100 A	270 kA <sup>2</sup> s	1450 kA <sup>2</sup> s	200 kA	140 W	✓	3	0.55 kg
PC32UD55V1250TF	P301060	550 V	600 V	1250 A	410 kA <sup>2</sup> s	1950 kA <sup>2</sup> s	200 kA	150 W	✓	3	0.55 kg
PC32UD50V1400TF	Q301061	500 V	550 V	1400 A	555 kA <sup>2</sup> s	2300 kA <sup>2</sup> s	200 kA	160 W	✓	3	0.55 kg
PC32UD50V1600TF	H300893	500 V	550 V	1600 A	870 kA <sup>2</sup> s	3600 kA <sup>2</sup> s	200 kA	165 W	✓	3	0.55 kg
PC32UD45V1800TF	R301062	450 V	500 V	1800 A	1050 kA <sup>2</sup> s	3700 kA <sup>2</sup> s	200 kA	195 W	✓	3	0.55 kg



A070UD32TT1800

### Size 32 type TTI 3/8in - 16 unified coarse threaded terminals

Catalog number	Item number	Rated voltage AC (IEC)	Rated voltage AC (UL)	Rated current I <sub>n</sub>	Pre-arcing I <sup>2</sup> t	Clearing I <sup>2</sup> t at Rated Voltage	Rated breaking capacity AC	Power dissipation at I <sub>n</sub>	UL certified	Package	Weight
<b>Standard Terminal</b>											
A070UD32TT1400	Q300463	690 V	700 V	400 A	15 kA <sup>2</sup> s	90 kA <sup>2</sup> s	200 kA	72 W	✓	3	0.60 kg
A070UD32TT1450	N300461	690 V	700 V	450 A	22 kA <sup>2</sup> s	130 kA <sup>2</sup> s	200 kA	77 W	✓	3	0.60 kg
A070UD32TT1500	P300462	690 V	700 V	500 A	28 kA <sup>2</sup> s	160 kA <sup>2</sup> s	200 kA	85 W	✓	3	0.60 kg
A070UD32TT1550	R300464	690 V	700 V	550 A	37 kA <sup>2</sup> s	215 kA <sup>2</sup> s	200 kA	90 W	✓	3	0.60 kg
A070UD32TT1630	S300465	690 V	700 V	630 A	54 kA <sup>2</sup> s	310 kA <sup>2</sup> s	200 kA	95 W	✓	3	0.60 kg
A070UD32TT1700	T300466	690 V	700 V	700 A	76 kA <sup>2</sup> s	440 kA <sup>2</sup> s	200 kA	100 W	✓	3	0.60 kg
A070UD32TT1800	V300467	690 V	700 V	800 A	115 kA <sup>2</sup> s	660 kA <sup>2</sup> s	200 kA	110 W	✓	3	0.60 kg
<b>Reinforced Terminal</b>											
A070UD32TT1900	W300468	690 V	700 V	900 A	165 kA <sup>2</sup> s	990 kA <sup>2</sup> s	200 kA	110 W	✓	3	0.60 kg
A070UD32TT1000	X300469	690 V	700 V	1000 A	230 kA <sup>2</sup> s	1380 kA <sup>2</sup> s	200 kA	115 W	✓	3	0.60 kg
A065UD32TT1100	M301081	600 V	650 V	1100 A	270 kA <sup>2</sup> s	1450 kA <sup>2</sup> s	200 kA	140 W	✓	3	0.60 kg
A060UD32TT11250	N301082	550 V	600 V	1250 A	410 kA <sup>2</sup> s	1950 kA <sup>2</sup> s	200 kA	150 W	✓	3	0.60 kg
A055UD32TT11400	P301083	500 V	550 V	1400 A	555 kA <sup>2</sup> s	2300 kA <sup>2</sup> s	200 kA	160 W	✓	3	0.60 kg
A055UD32TT11600	Q301084	500 V	550 V	1600 A	870 kA <sup>2</sup> s	3600 kA <sup>2</sup> s	200 kA	165 W	✓	3	0.60 kg
A050UD32TT11800	R301085	450 V	500 V	1800 A	1050 kA <sup>2</sup> s	3700 kA <sup>2</sup> s	200 kA	195 W	✓	3	0.60 kg

# Protistor® size 32 aR

450 to 690VAC (IEC) / 700VAC (UL)

## PRODUCT RANGE



PC32UD69V900A

### Size 32 type DIN80 blades

Catalog number	Item number	Rated voltage AC (IEC)	Rated voltage AC (UL)	Rated current I <sub>n</sub>	Pre-arcing I <sup>2</sup> t	Clearing I <sup>2</sup> t at Rated Voltage	Rated breaking capacity AC	Power dissipation at I <sub>n</sub>	UL certified	Package	Weight
<b>Standard Terminal</b>											
PC32UD69V315A	H302158	690 V	700 V	315 A	5.2 kA <sup>2</sup> s	31.8 kA <sup>2</sup> s	200 kA	71 W	✓	3	0.53 kg
PC32UD69V350A	J302159	690 V	700 V	350 A	8.9 kA <sup>2</sup> s	53.7 kA <sup>2</sup> s	200 kA	74 W	✓	3	0.53 kg
PC32UD69V400A	E300177	690 V	700 V	400 A	15 kA <sup>2</sup> s	90 kA <sup>2</sup> s	200 kA	75 W	✓	3	0.53 kg
PC32UD69V450A	F300178	690 V	700 V	450 A	22 kA <sup>2</sup> s	130 kA <sup>2</sup> s	200 kA	80 W	✓	3	0.53 kg
PC32UD69V500A	G300179	690 V	700 V	500 A	28 kA <sup>2</sup> s	160 kA <sup>2</sup> s	200 kA	90 W	✓	3	0.53 kg
PC32UD69V550A	H300180	690 V	700 V	550 A	37 kA <sup>2</sup> s	215 kA <sup>2</sup> s	200 kA	95 W	✓	3	0.53 kg
PC32UD69V630A	J300181	690 V	700 V	630 A	54 kA <sup>2</sup> s	310 kA <sup>2</sup> s	200 kA	105 W	✓	3	0.53 kg
PC32UD69V700A	K300182	690 V	700 V	700 A	76 kA <sup>2</sup> s	440 kA <sup>2</sup> s	200 kA	110 W	✓	3	0.53 kg
PC32UD69V800A	L300183	690 V	700 V	800 A	115 kA <sup>2</sup> s	660 kA <sup>2</sup> s	200 kA	120 W	✓	3	0.53 kg
<b>Reinforced Terminal</b>											
PC32UD69V900A	M300184	690 V	700 V	900 A	170 kA <sup>2</sup> s	990 kA <sup>2</sup> s	200 kA	125 W	✓	3	0.53 kg
PC32UD69V1000A	N300185	690 V	700 V	1000 A	240 kA <sup>2</sup> s	1380 kA <sup>2</sup> s	200 kA	135 W	✓	3	0.53 kg
PC32UD60V1100A	W302101	600 V	650 V	1100 A	270 kA <sup>2</sup> s	1450 kA <sup>2</sup> s	200 kA	165 W	✓	3	0.53 kg
PC32UD55V1250A	G300409	550 V	600 V	1250 A	410 kA <sup>2</sup> s	1950 kA <sup>2</sup> s	200 kA	180 W	✓	3	0.53 kg



PC32UD69V900D1A

### Size 32 type DIN110 blades

Catalog number	Item number	Rated voltage AC (IEC)	Rated voltage AC (UL)	Rated current I <sub>n</sub>	Pre-arcing I <sup>2</sup> t	Clearing I <sup>2</sup> t at Rated Voltage	Rated breaking capacity AC	Power dissipation at I <sub>n</sub>	UL certified	Package	Weight
<b>Standard Terminal</b>											
PC32UD69V315D1A	K302160	690 V	700 V	315 A	5.2 kA <sup>2</sup> s	31.8 kA <sup>2</sup> s	200 kA	71 W	✓	3	0.56 kg
PC32UD69V350D1A	L302161	690 V	700 V	350 A	8.9 kA <sup>2</sup> s	53.7 kA <sup>2</sup> s	200 kA	74 W	✓	3	0.56 kg
PC32UD69V400D1A	P300186	690 V	700 V	400 A	15 kA <sup>2</sup> s	90 kA <sup>2</sup> s	200 kA	75 W	✓	3	0.56 kg
PC32UD69V450D1A	Q300187	690 V	700 V	450 A	22 kA <sup>2</sup> s	130 kA <sup>2</sup> s	200 kA	80 W	✓	3	0.56 kg
PC32UD69V500D1A	R300188	690 V	700 V	500 A	28 kA <sup>2</sup> s	160 kA <sup>2</sup> s	200 kA	90 W	✓	3	0.56 kg
PC32UD69V550D1A	S300189	690 V	700 V	550 A	37 kA <sup>2</sup> s	215 kA <sup>2</sup> s	200 kA	95 W	✓	3	0.56 kg
PC32UD69V630D1A	T300190	690 V	700 V	630 A	54 kA <sup>2</sup> s	310 kA <sup>2</sup> s	200 kA	105 W	✓	3	0.56 kg
PC32UD69V700D1A	V300191	690 V	700 V	700 A	76 kA <sup>2</sup> s	440 kA <sup>2</sup> s	200 kA	110 W	✓	3	0.56 kg
PC32UD69V800D1A	W300192	690 V	700 V	800 A	115 kA <sup>2</sup> s	660 kA <sup>2</sup> s	200 kA	120 W	✓	3	0.56 kg
<b>Reinforced Terminal</b>											
PC32UD69V900D1A	X300193	690 V	700 V	900 A	170 kA <sup>2</sup> s	990 kA <sup>2</sup> s	200 kA	125 W	✓	3	0.56 kg
PC32UD69V10CD1A	Y300194	690 V	700 V	1000 A	240 kA <sup>2</sup> s	1380 kA <sup>2</sup> s	200 kA	135 W	✓	3	0.56 kg

# Protistor® size 32 aR

450 to 690VAC (IEC) / 700VAC (UL)

## PRODUCT RANGE



A070UD32KI900

### Size 32 type KI short slotted blades

Catalog number	Item number	Rated voltage AC (IEC)	Rated voltage AC (UL)	Rated current I <sub>n</sub>	Pre-arcing I <sup>2</sup> t	Clearing I <sup>2</sup> t at Rated Voltage	Rated breaking capacity AC	Power dissipation at I <sub>n</sub>	UL certified	Package	Weight
<b>Standard Terminal</b>											
A070UD32KI315	P302164	690 V	700 V	315 A	5.2 kA <sup>2</sup> s	31.8 kA <sup>2</sup> s	200 kA	71 W	✓	3	0.55 kg
A070UD32KI350	Q302165	690 V	700 V	350 A	8.9 kA <sup>2</sup> s	53.7 kA <sup>2</sup> s	200 kA	74 W	✓	3	0.55 kg
A070UD32KI400	Z300195	690 V	700 V	400 A	15 kA <sup>2</sup> s	90 kA <sup>2</sup> s	200 kA	75 W	✓	3	0.55 kg
A070UD32KI450	A300196	690 V	700 V	450 A	22 kA <sup>2</sup> s	130 kA <sup>2</sup> s	200 kA	80 W	✓	3	0.55 kg
A070UD32KI500	B300197	690 V	700 V	500 A	28 kA <sup>2</sup> s	160 kA <sup>2</sup> s	200 kA	90 W	✓	3	0.55 kg
A070UD32KI550	C300198	690 V	700 V	550 A	37 kA <sup>2</sup> s	215 kA <sup>2</sup> s	200 kA	95 W	✓	3	0.55 kg
A070UD32KI630	D300199	690 V	700 V	630 A	54 kA <sup>2</sup> s	310 kA <sup>2</sup> s	200 kA	105 W	✓	3	0.55 kg
A070UD32KI700	E300200	690 V	700 V	700 A	76 kA <sup>2</sup> s	440 kA <sup>2</sup> s	200 kA	110 W	✓	3	0.55 kg
A070UD32KI800	F300201	690 V	700 V	800 A	115 kA <sup>2</sup> s	660 kA <sup>2</sup> s	200 kA	120 W	✓	3	0.55 kg
<b>Reinforced Terminal</b>											
A070UD32KI900	G300202	690 V	700 V	900 A	170 kA <sup>2</sup> s	990 kA <sup>2</sup> s	200 kA	125 W	✓	3	0.55 kg
A070UD32KI1000	H300203	690 V	700 V	1000 A	240 kA <sup>2</sup> s	1380 kA <sup>2</sup> s	200 kA	135 W	✓	3	0.55 kg



A070UD32LI900

### Size 32 type LI long slotted blades

Catalog number	Item number	Rated voltage AC (IEC)	Rated voltage AC (UL)	Rated current I <sub>n</sub>	Pre-arcing I <sup>2</sup> t	Clearing I <sup>2</sup> t at Rated Voltage	Rated breaking capacity AC	Power dissipation at I <sub>n</sub>	UL certified	Package	Weight
<b>Standard Terminal</b>											
A070UD32LI315	R302166	690 V	700 V	315 A	5.2 kA <sup>2</sup> s	31.8 kA <sup>2</sup> s	200 kA	71 W	✓	3	0.57 kg
A070UD32LI350	S302167	690 V	700 V	350 A	8.9 kA <sup>2</sup> s	53.7 kA <sup>2</sup> s	200 kA	74 W	✓	3	0.57 kg
A070UD32LI400	J300204	690 V	700 V	400 A	15 kA <sup>2</sup> s	90 kA <sup>2</sup> s	200 kA	75 W	✓	3	0.57 kg
A070UD32LI450	K300205	690 V	700 V	450 A	22 kA <sup>2</sup> s	130 kA <sup>2</sup> s	200 kA	80 W	✓	3	0.57 kg
A070UD32LI500	L300206	690 V	700 V	500 A	28 kA <sup>2</sup> s	160 kA <sup>2</sup> s	200 kA	90 W	✓	3	0.57 kg
A070UD32LI550	M300207	690 V	700 V	550 A	37 kA <sup>2</sup> s	215 kA <sup>2</sup> s	200 kA	95 W	✓	3	0.57 kg
A070UD32LI630	N300208	690 V	700 V	630 A	54 kA <sup>2</sup> s	310 kA <sup>2</sup> s	200 kA	105 W	✓	3	0.57 kg
A070UD32LI700	P300209	690 V	700 V	700 A	76 kA <sup>2</sup> s	440 kA <sup>2</sup> s	200 kA	110 W	✓	3	0.57 kg
A070UD32LI800	Q300210	690 V	700 V	800 A	115 kA <sup>2</sup> s	660 kA <sup>2</sup> s	200 kA	120 W	✓	3	0.57 kg
A070UD32LI900	R300211	690 V	700 V	900 A	170 kA <sup>2</sup> s	990 kA <sup>2</sup> s	200 kA	125 W	✓	3	0.74 kg
A070UD32LI1000	S300212	690 V	700 V	1000 A	240 kA <sup>2</sup> s	1380 kA <sup>2</sup> s	200 kA	135 W	✓	3	0.74 kg
A065UD32LI1100	B301071	600 V	650 V	1100 A	270 kA <sup>2</sup> s	1450 kA <sup>2</sup> s	200 kA	165 W	✓	3	0.74 kg
A060UD32LI1250	C301072	550 V	600 V	1250 A	410 kA <sup>2</sup> s	1950 kA <sup>2</sup> s	200 kA	180 W	✓	3	0.74 kg
A055UD32LI1400	D301073	500 V	550 V	1400 A	555 kA <sup>2</sup> s	2300 kA <sup>2</sup> s	200 kA	200 W	✓	3	0.74 kg

# Protistor® size 32 aR

450 to 690VAC (IEC) / 700VAC (UL)

## PRODUCT RANGE

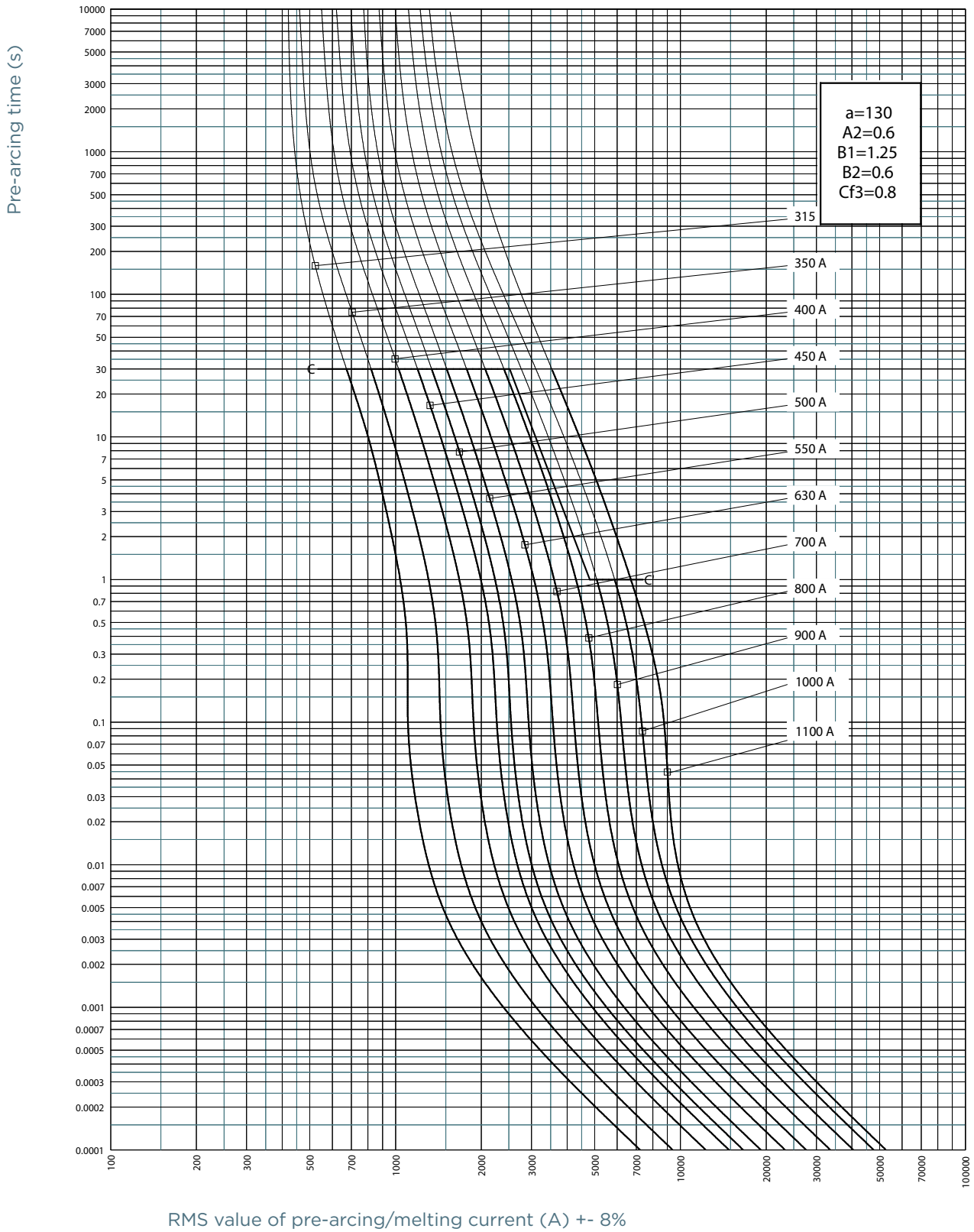


PC32UD69V900EF

### Size 32 type EF blades for bolted connections

Catalog number	Item number	Rated voltage AC (IEC)	Rated voltage AC (UL)	Rated current I <sub>n</sub>	Pre-arcing I <sup>2</sup> t	Clearing I <sup>2</sup> t at Rated Voltage	Rated breaking capacity AC	Power dissipation at I <sub>n</sub>	UL certified	Package	Weight
<b>Standard Terminal</b>											
PC32UD69V400EF	V300168	690 V	700 V	400 A	15 kA <sup>2</sup> s	90 kA <sup>2</sup> s	200 kA	75 W	✓	3	0.57 kg
PC32UD69V450EF	W300169	690 V	700 V	450 A	22 kA <sup>2</sup> s	130 kA <sup>2</sup> s	200 kA	80 W	✓	3	0.57 kg
PC32UD69V500EF	X300170	690 V	700 V	500 A	28 kA <sup>2</sup> s	160 kA <sup>2</sup> s	200 kA	90 W	✓	3	0.57 kg
PC32UD69V550EF	Y300171	690 V	700 V	550 A	37 kA <sup>2</sup> s	215 kA <sup>2</sup> s	200 kA	95 W	✓	3	0.57 kg
PC32UD69V630EF	Z300172	690 V	700 V	630 A	54 kA <sup>2</sup> s	310 kA <sup>2</sup> s	200 kA	105 W	✓	3	0.57 kg
PC32UD69V700EF	A300173	690 V	700 V	700 A	76 kA <sup>2</sup> s	440 kA <sup>2</sup> s	200 kA	110 W	✓	3	0.57 kg
PC32UD69V800EF	B300174	690 V	700 V	800 A	115 kA <sup>2</sup> s	660 kA <sup>2</sup> s	200 kA	120 W	✓	3	0.57 kg
PC32UD69V900EF	C300175	690 V	700 V	900 A	170 kA <sup>2</sup> s	990 kA <sup>2</sup> s	200 kA	125 W	✓	3	0.57 kg
PC32UD69V1000EF	D300176	690 V	700 V	1000 A	240 kA <sup>2</sup> s	1380 kA <sup>2</sup> s	200 kA	135 W	✓	3	0.57 kg

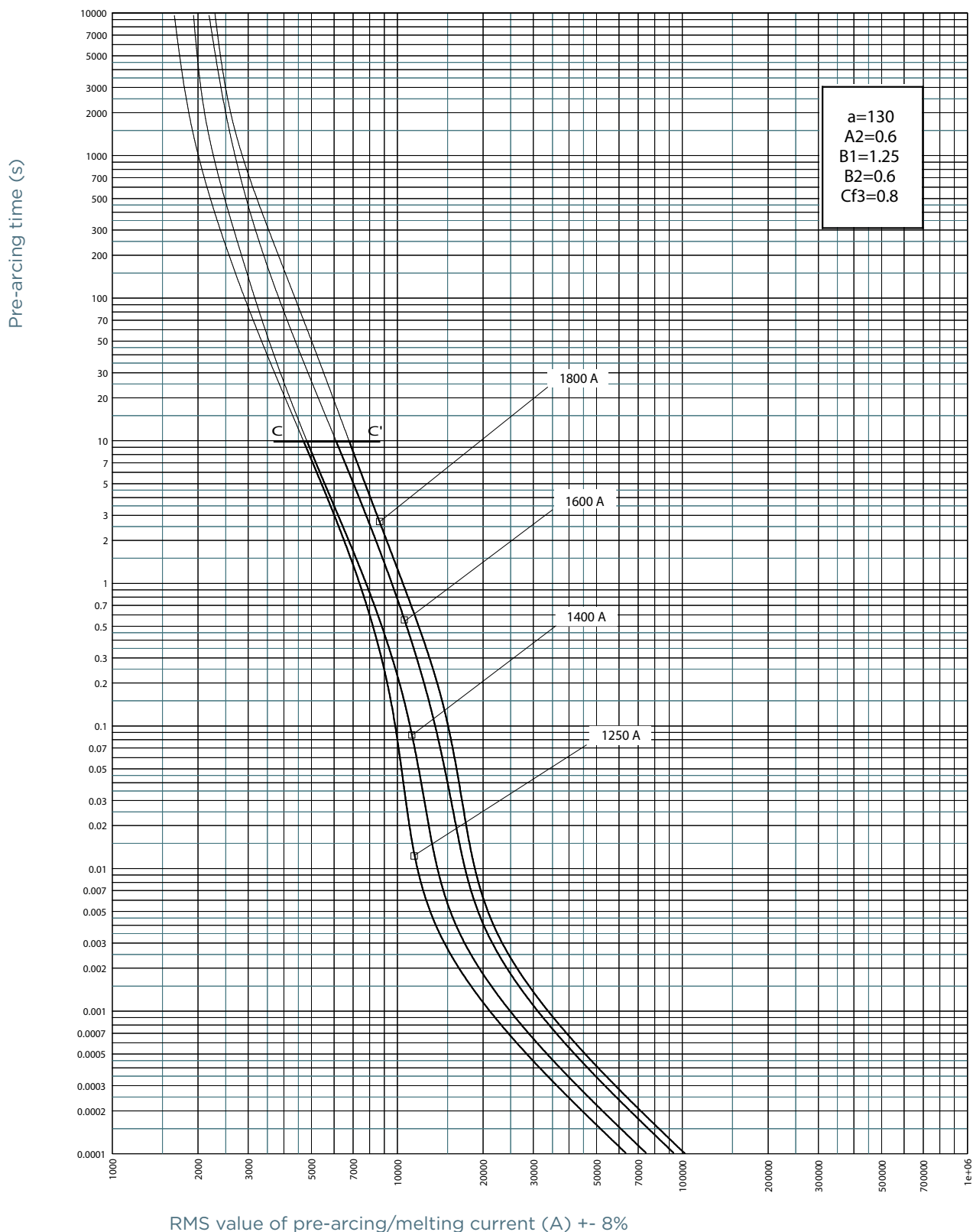
TIME CURRENT CHARACTERISTIC CURVES



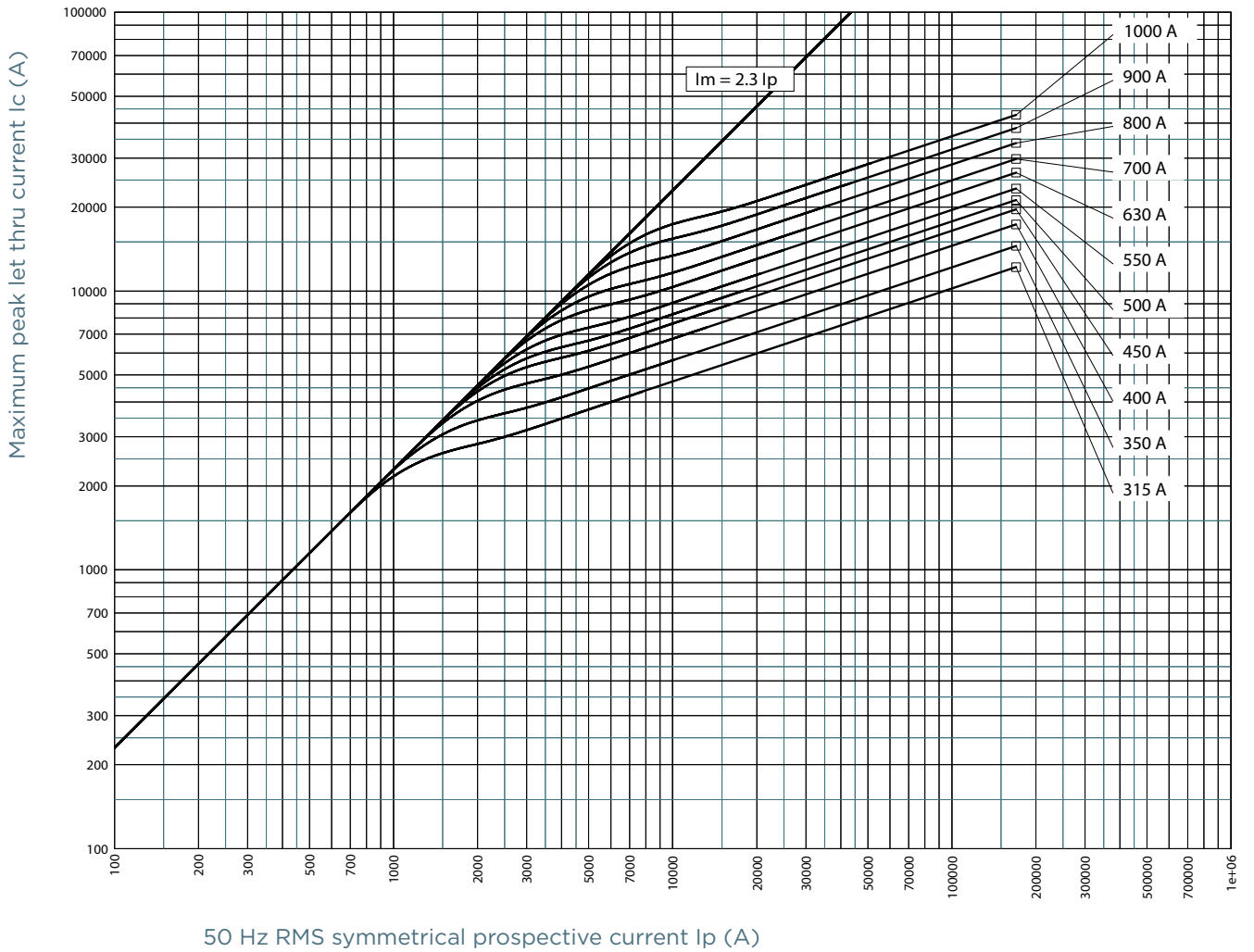
# Protistor® size 32 aR

450 to 690VAC (IEC) / 700VAC (UL)

## TIME CURRENT CHARACTERISTIC CURVES

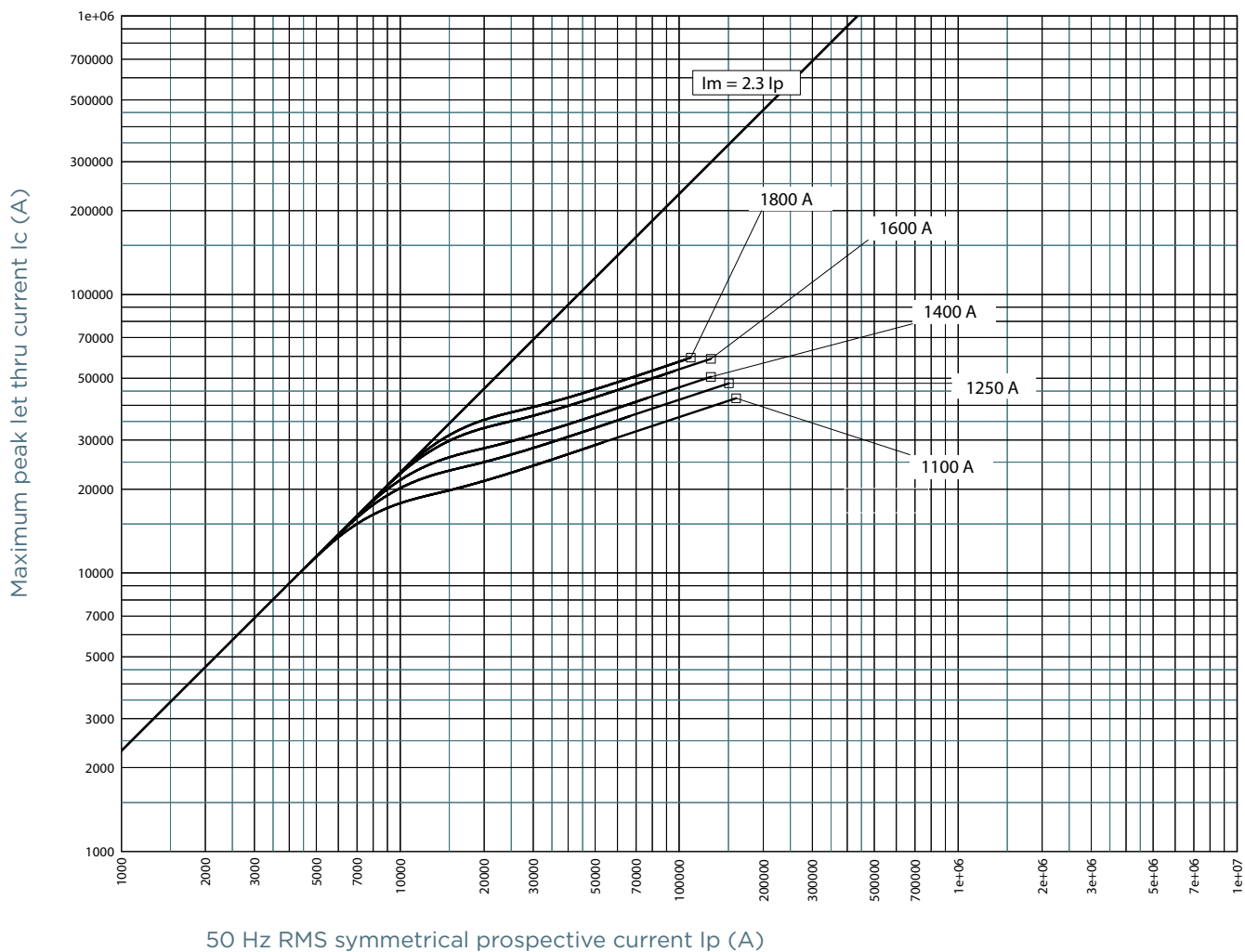


CUT-OFF CURRENT CHARACTERISTIC





## CUT-OFF CURRENT CHARACTERISTIC

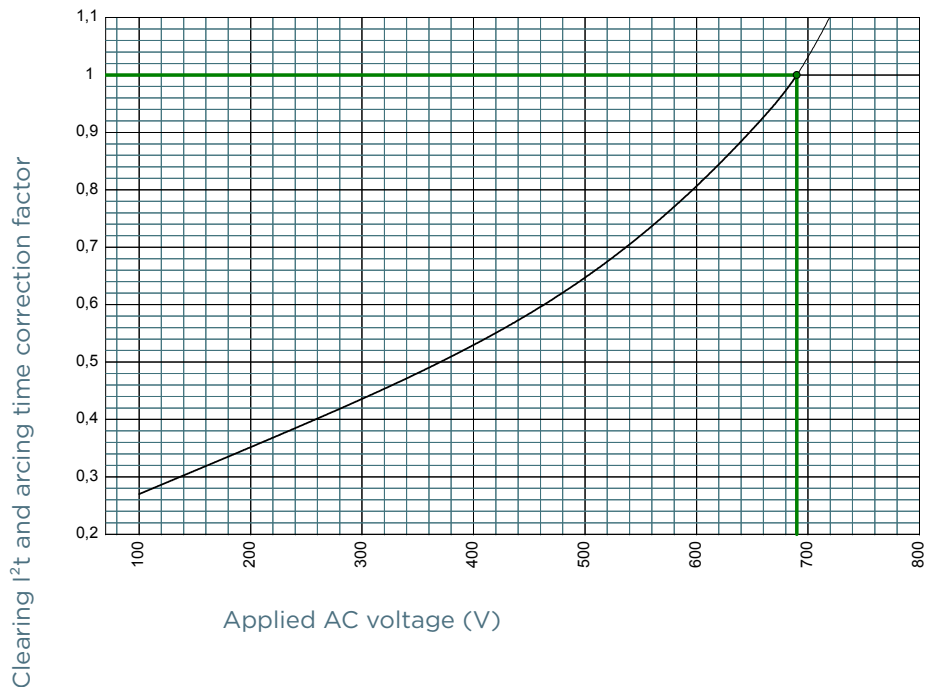


# Protistor® size 32 aR

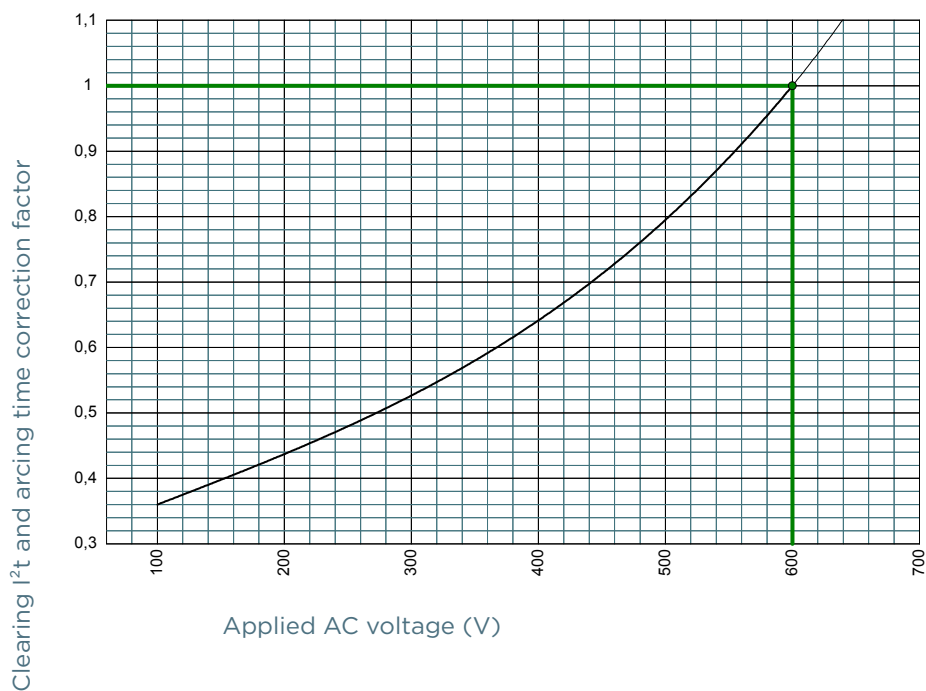
450 to 690VAC (IEC) / 700VAC (UL)

## I<sup>2</sup>T MULTIPLIER COEFFICIENT

### Size 32 690V



### Size 32 600V

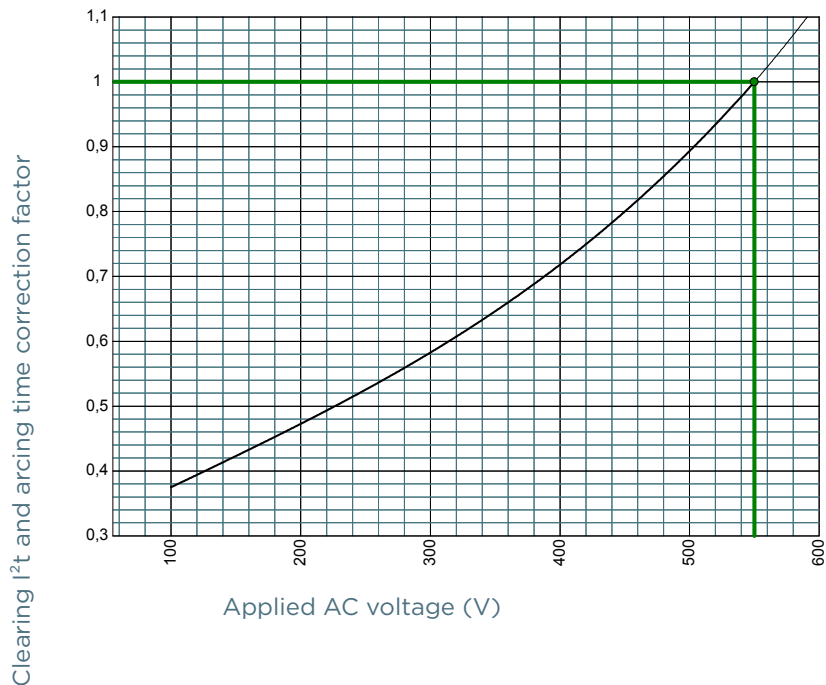


# Protistor® size 32 aR

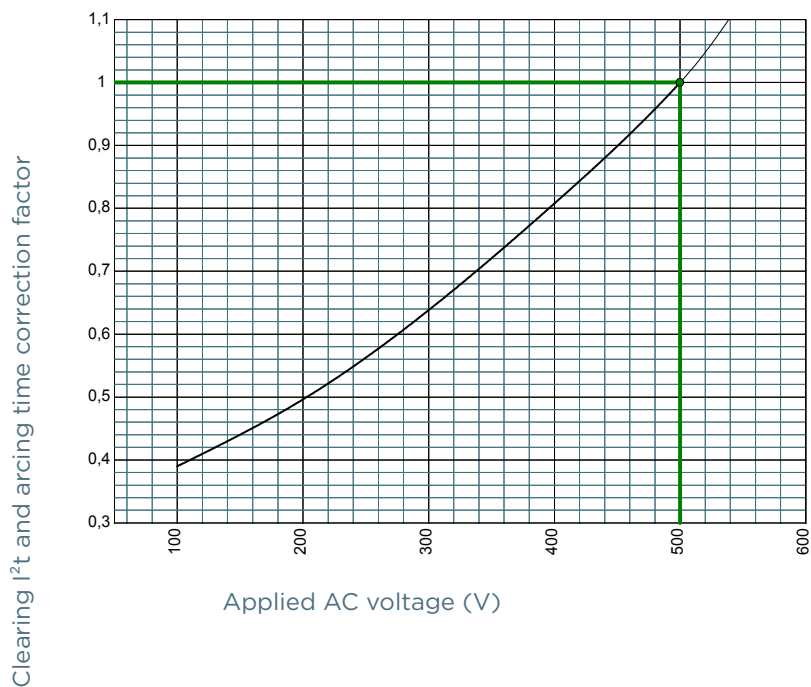
450 to 690VAC (IEC) / 700VAC (UL)

## I<sup>2</sup>T MULTIPLIER COEFFICIENT

### Size 32 550V



### Size 32 500V

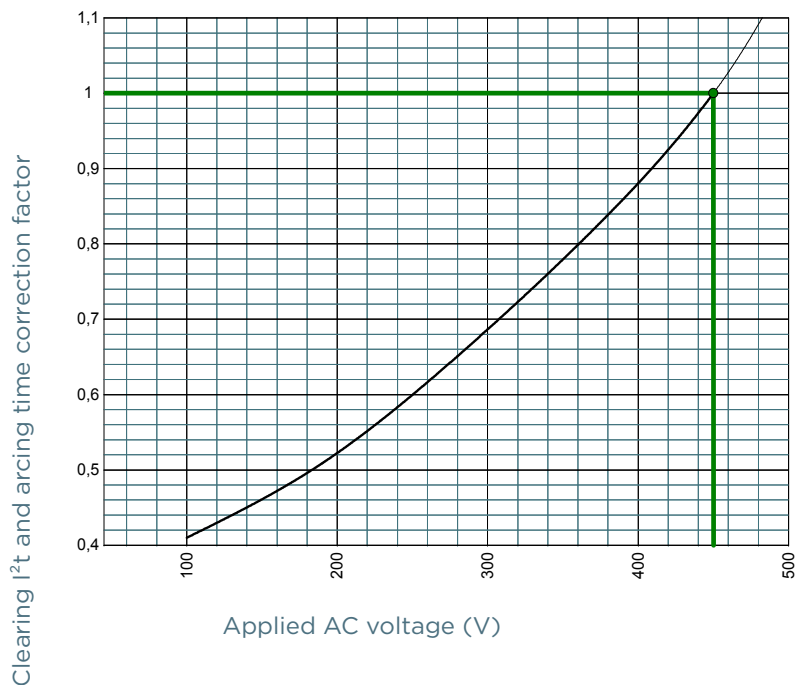


# Protistor® size 32 aR

450 to 690VAC (IEC) / 700VAC (UL)

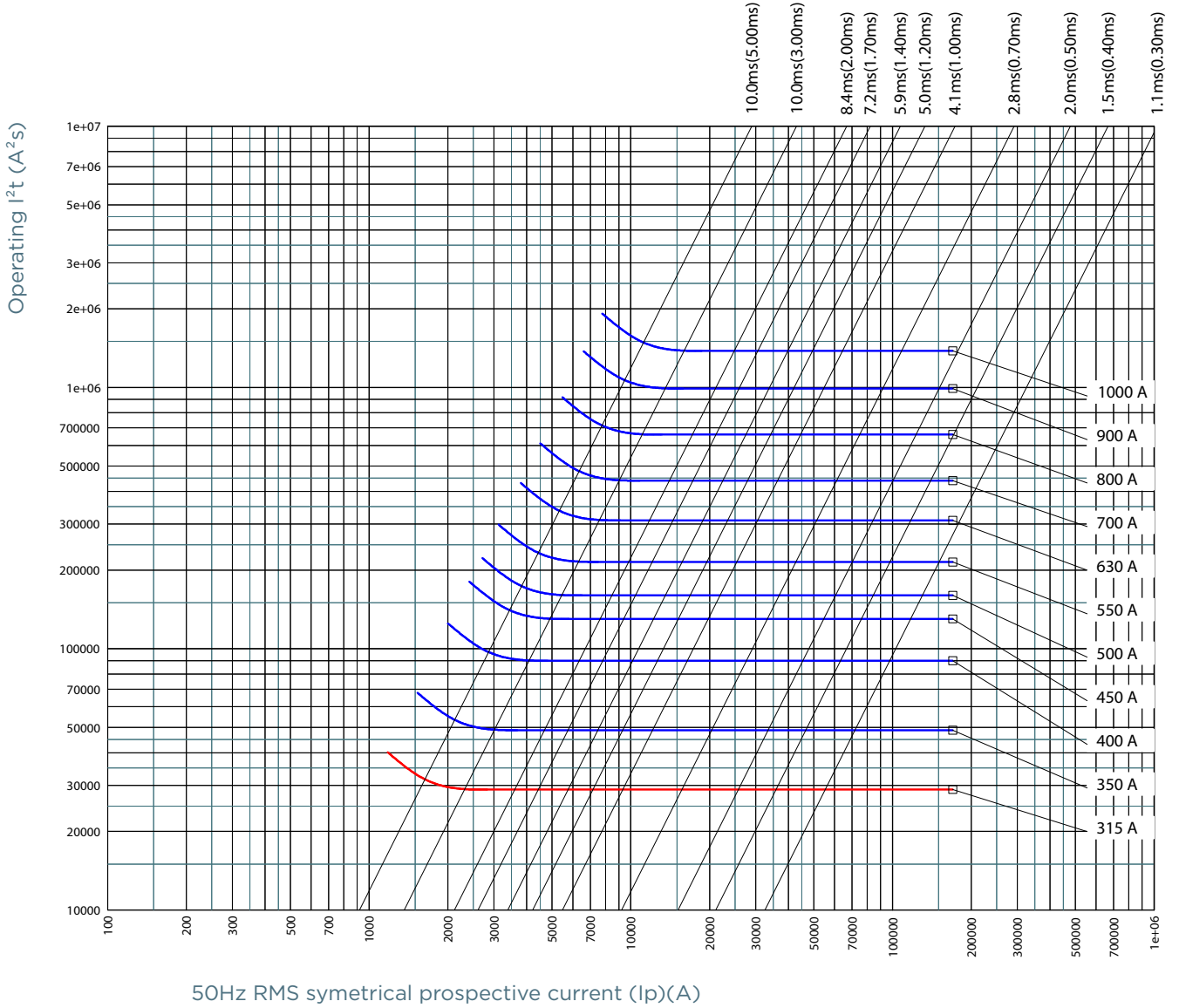
## I<sup>2</sup>T MULTIPLIER COEFFICIENT

### Size 32 450V



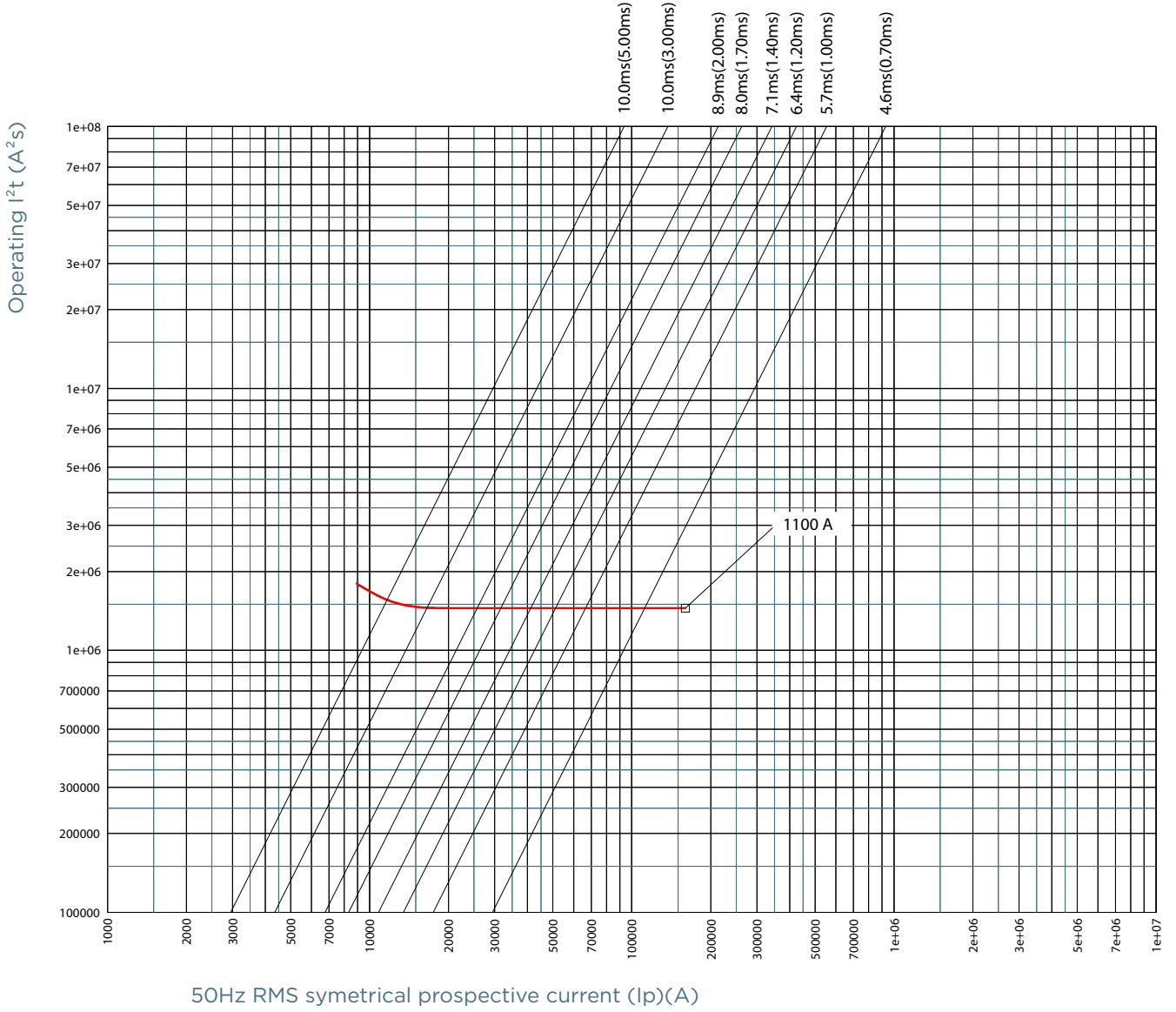
CHARACTERISTICS TOTAL I<sup>2</sup>T CURVE

Size 32 690V



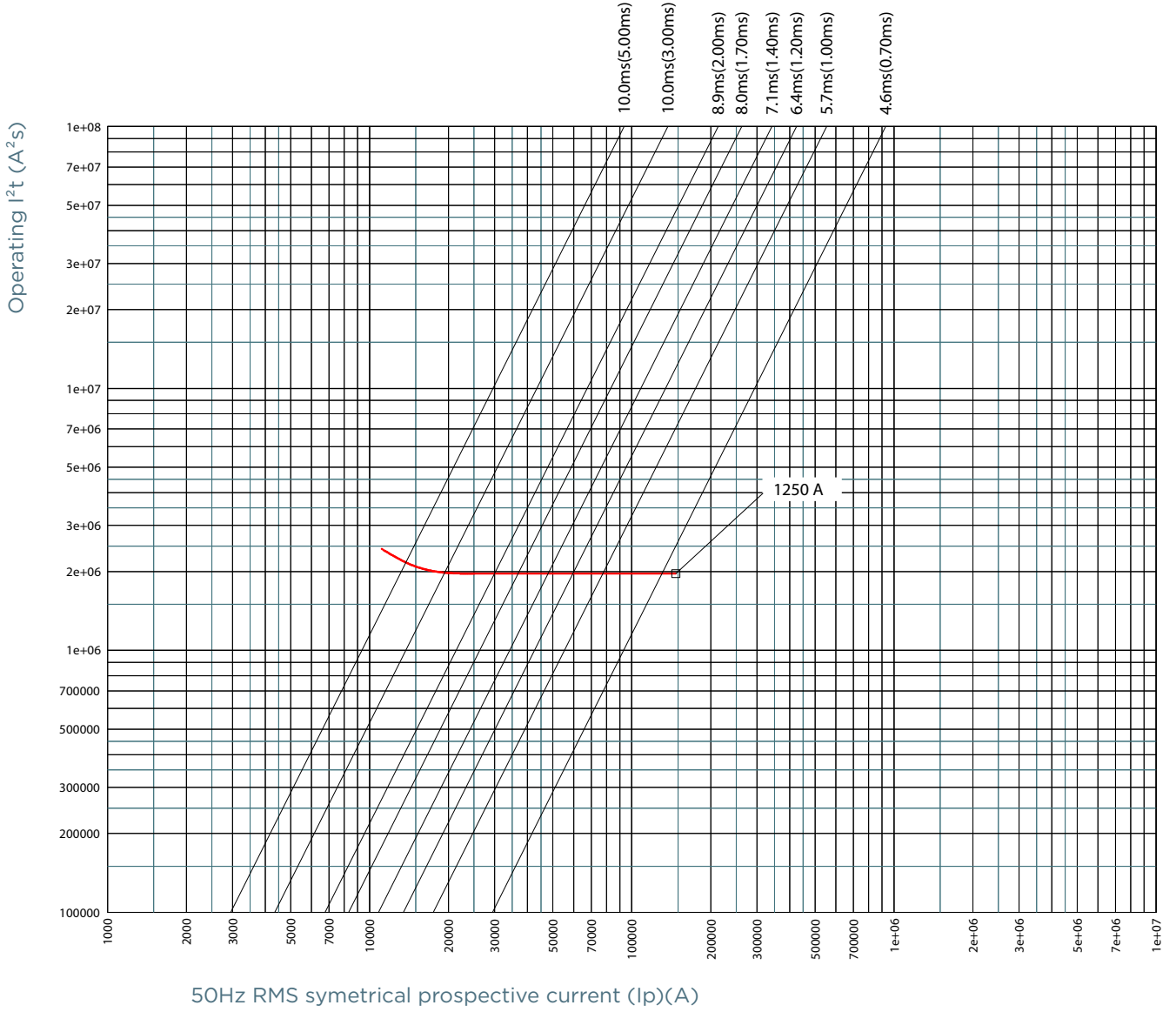
CHARACTERISTICS TOTAL I<sup>2</sup>T CURVE

Size 32 600V



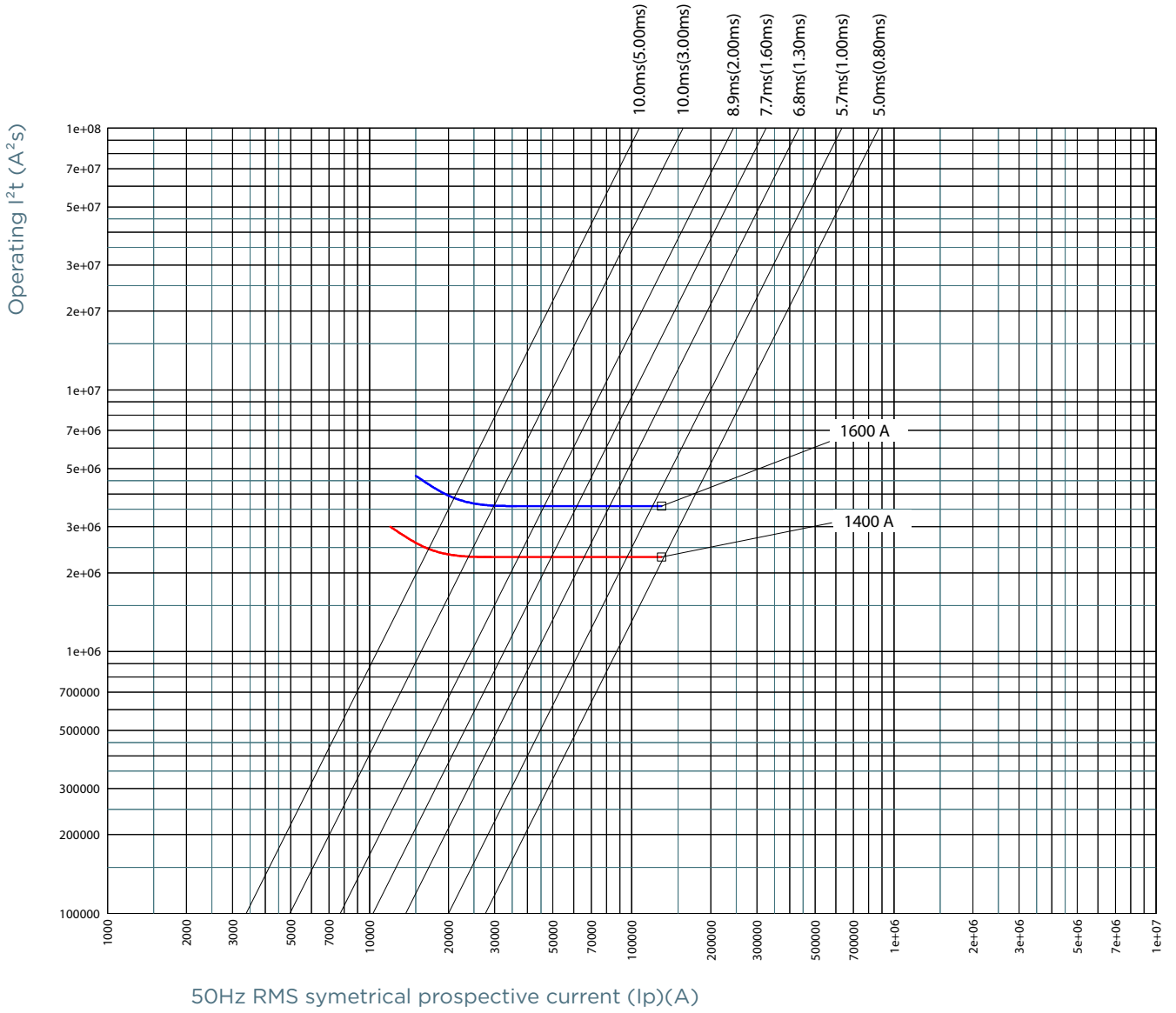
CHARACTERISTICS TOTAL I<sup>2</sup>T CURVE

Size 32 550V



CHARACTERISTICS TOTAL I<sup>2</sup>T CURVE

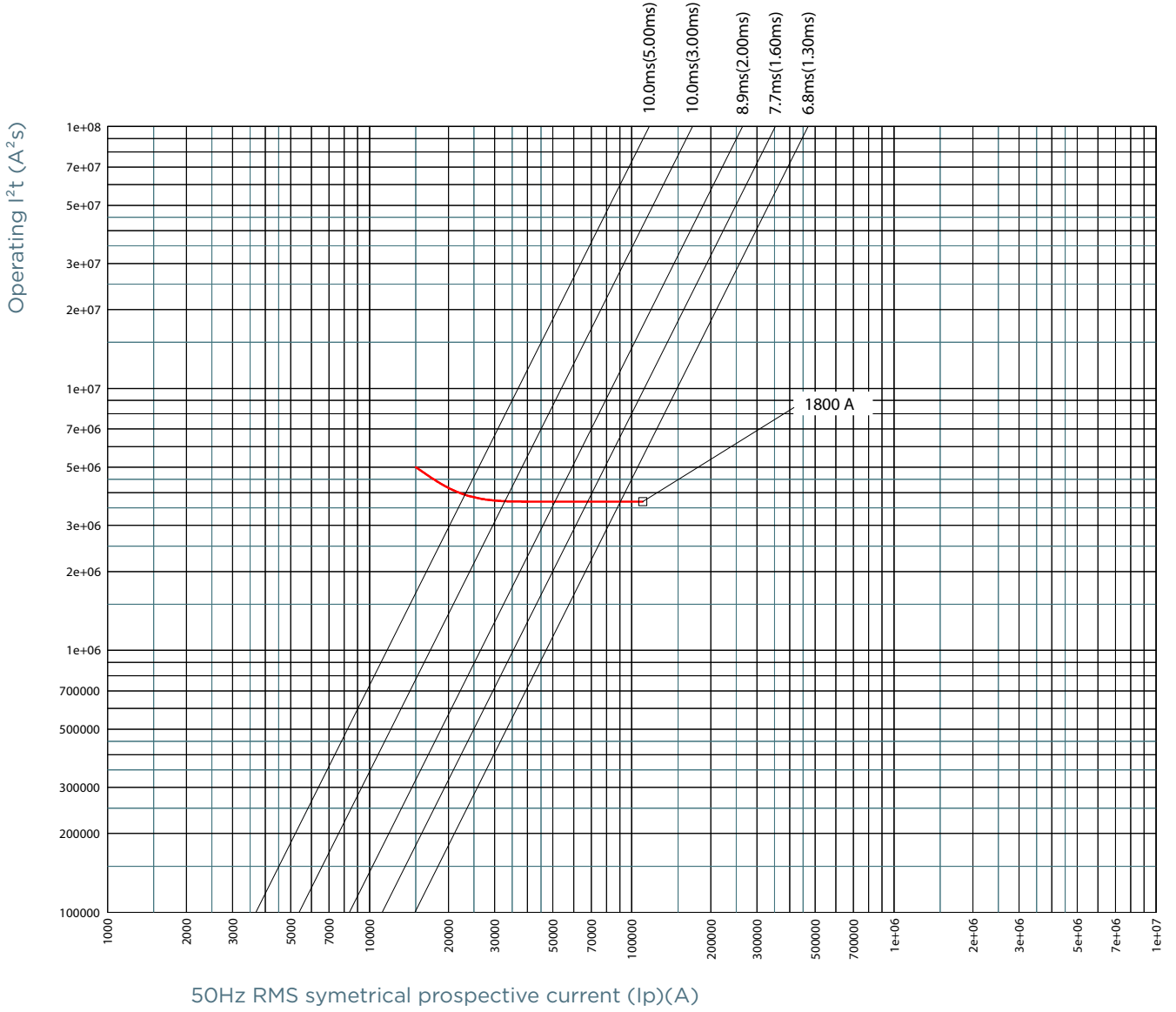
Size 32 500V



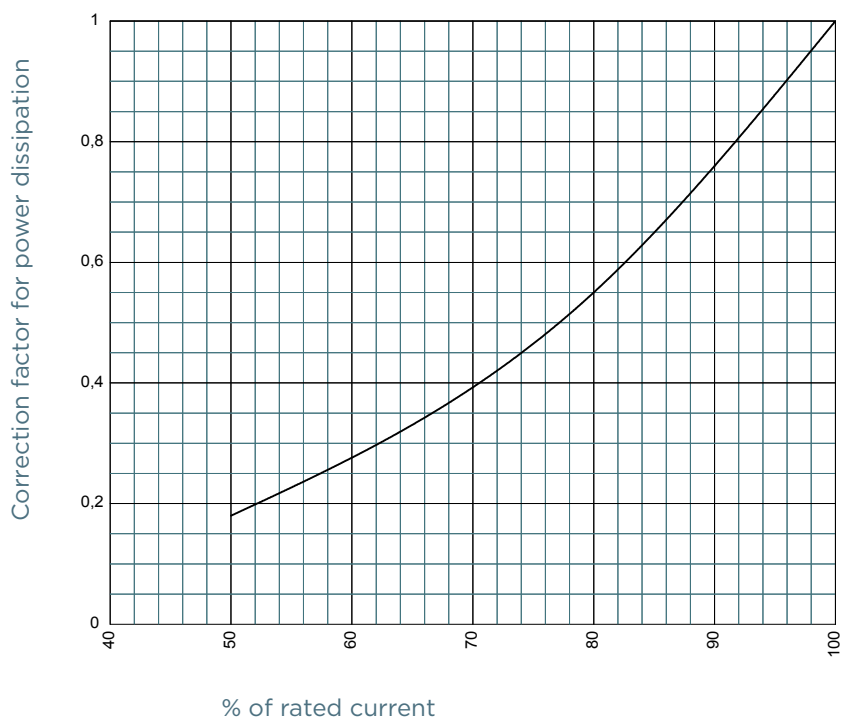


CHARACTERISTICS TOTAL I<sup>2</sup>T CURVE

Size 32 450V

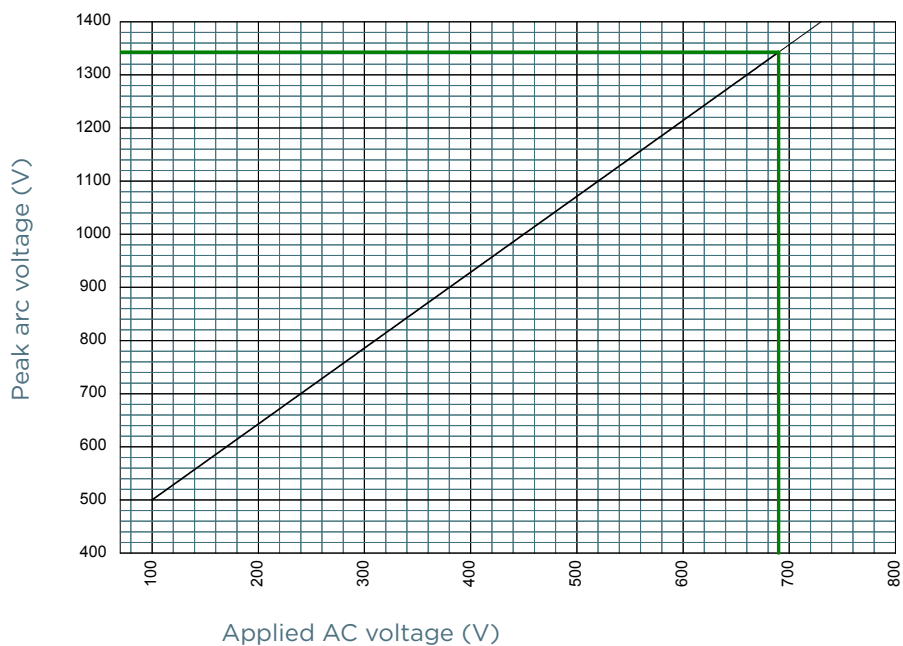


## POWER DISSIPATION



## PEAK ARC VOLTAGE

### Size 32 690V

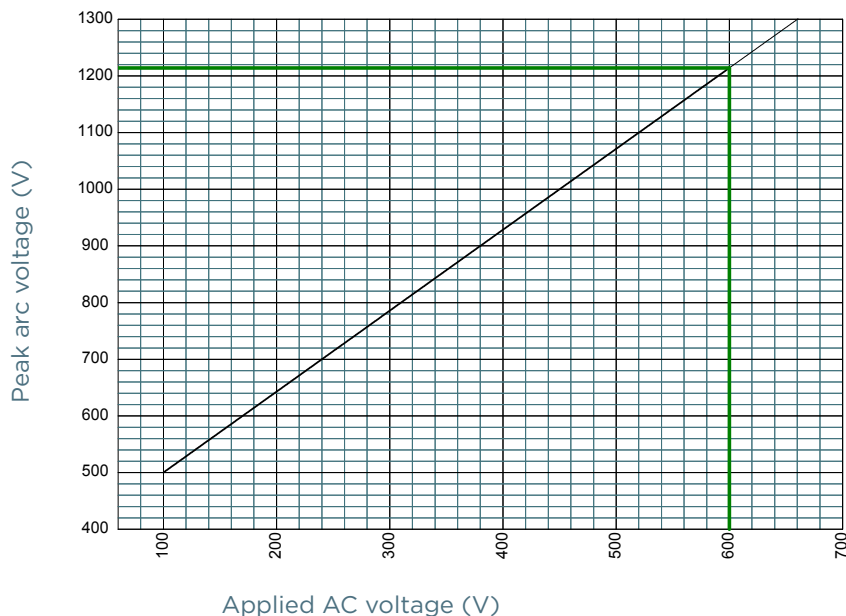


# Protistor® size 32 aR

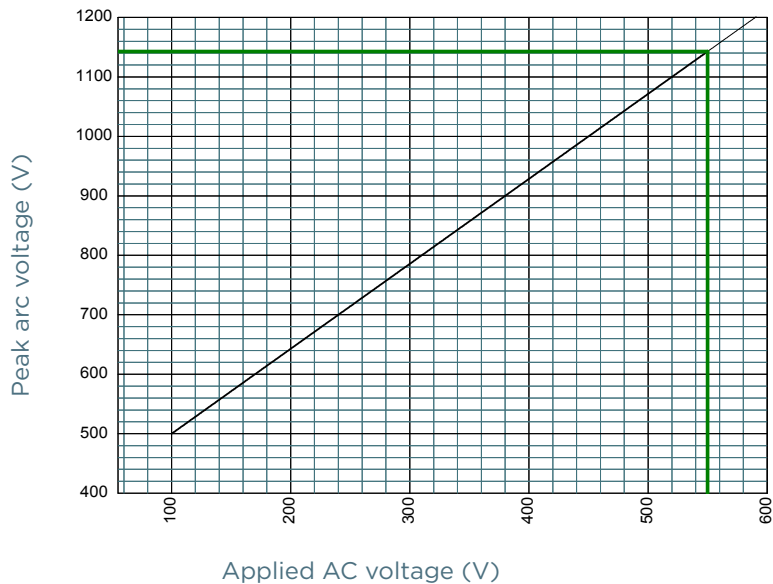
450 to 690VAC (IEC) / 700VAC (UL)

## PEAK ARC VOLTAGE

### Size 32 600V



### Size 32 550V

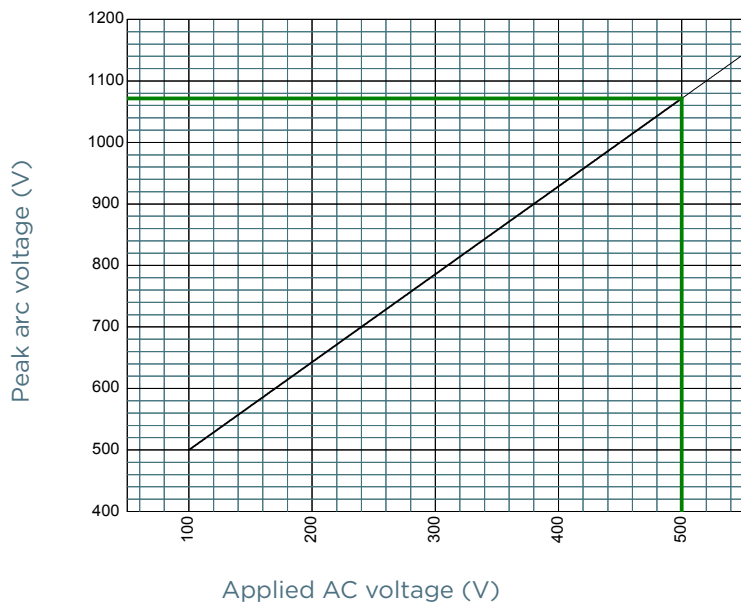


# Protistor® size 32 aR

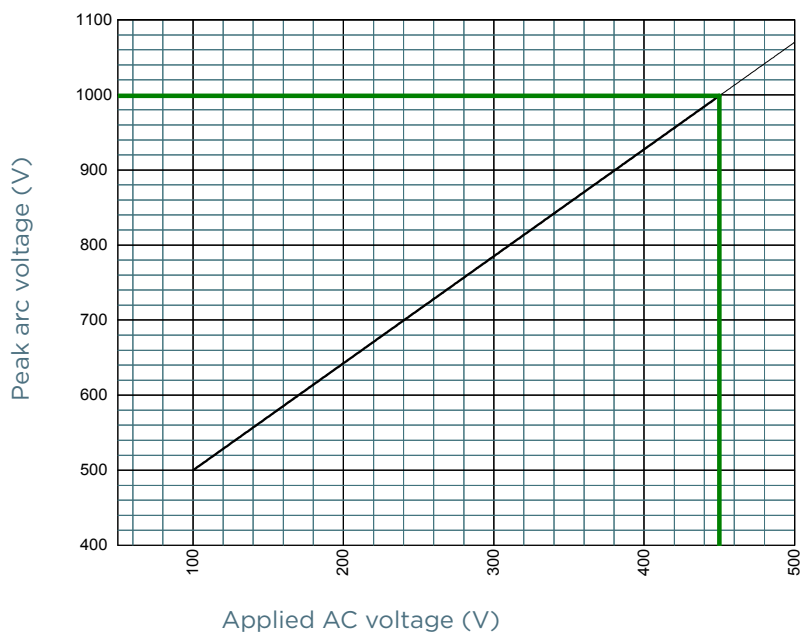
450 to 690VAC (IEC) / 700VAC (UL)

## PEAK ARC VOLTAGE

### Size 32 500V



### Size 32 450V

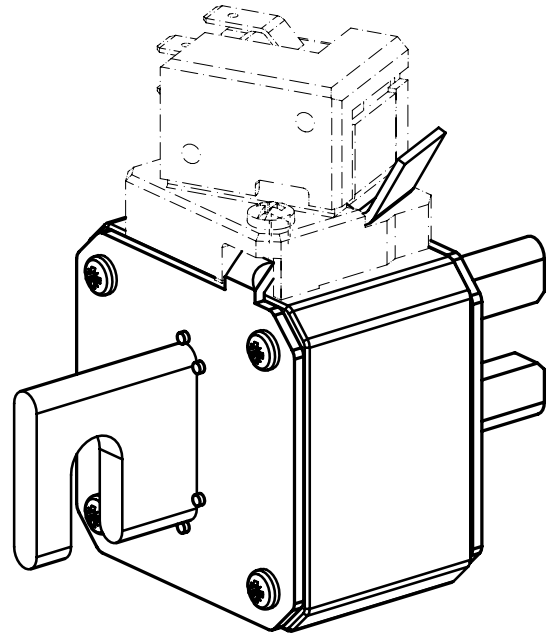
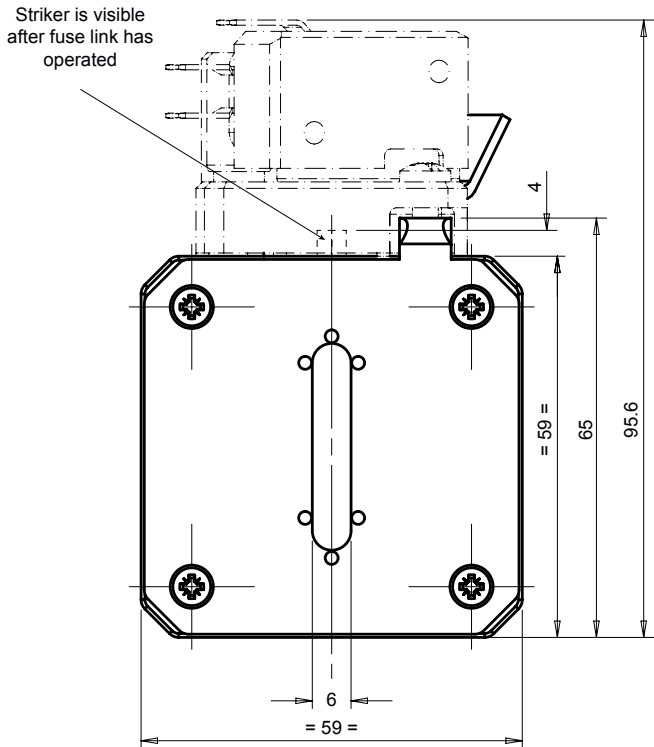
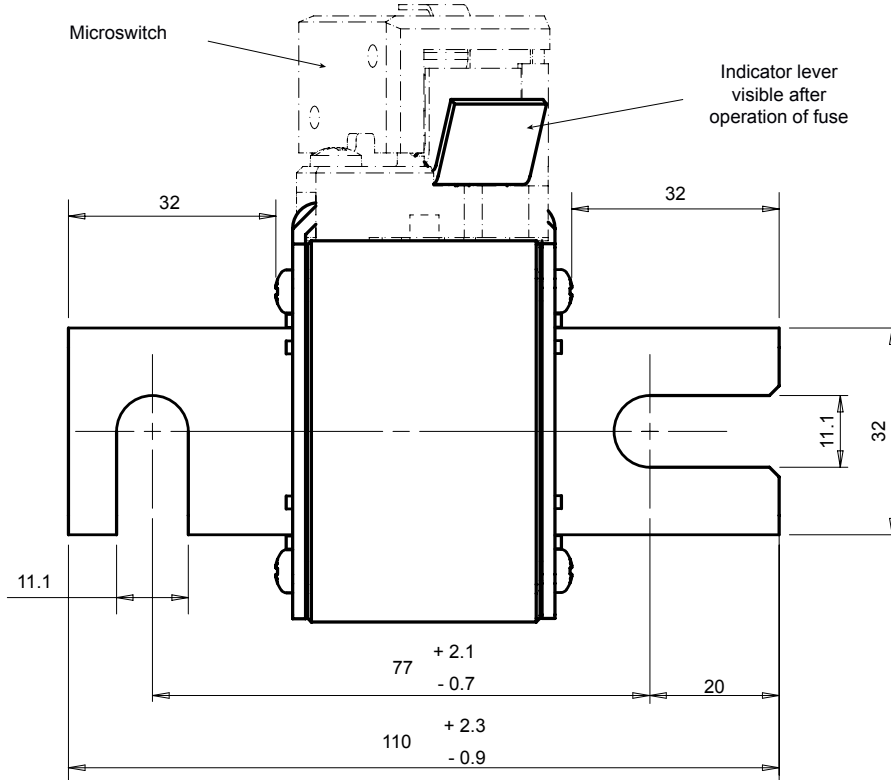


# Protistor® size 32 aR

450 to 690VAC (IEC) / 700VAC (UL)

## DIMENSIONS

Size 32 type DIN 80 (102923)



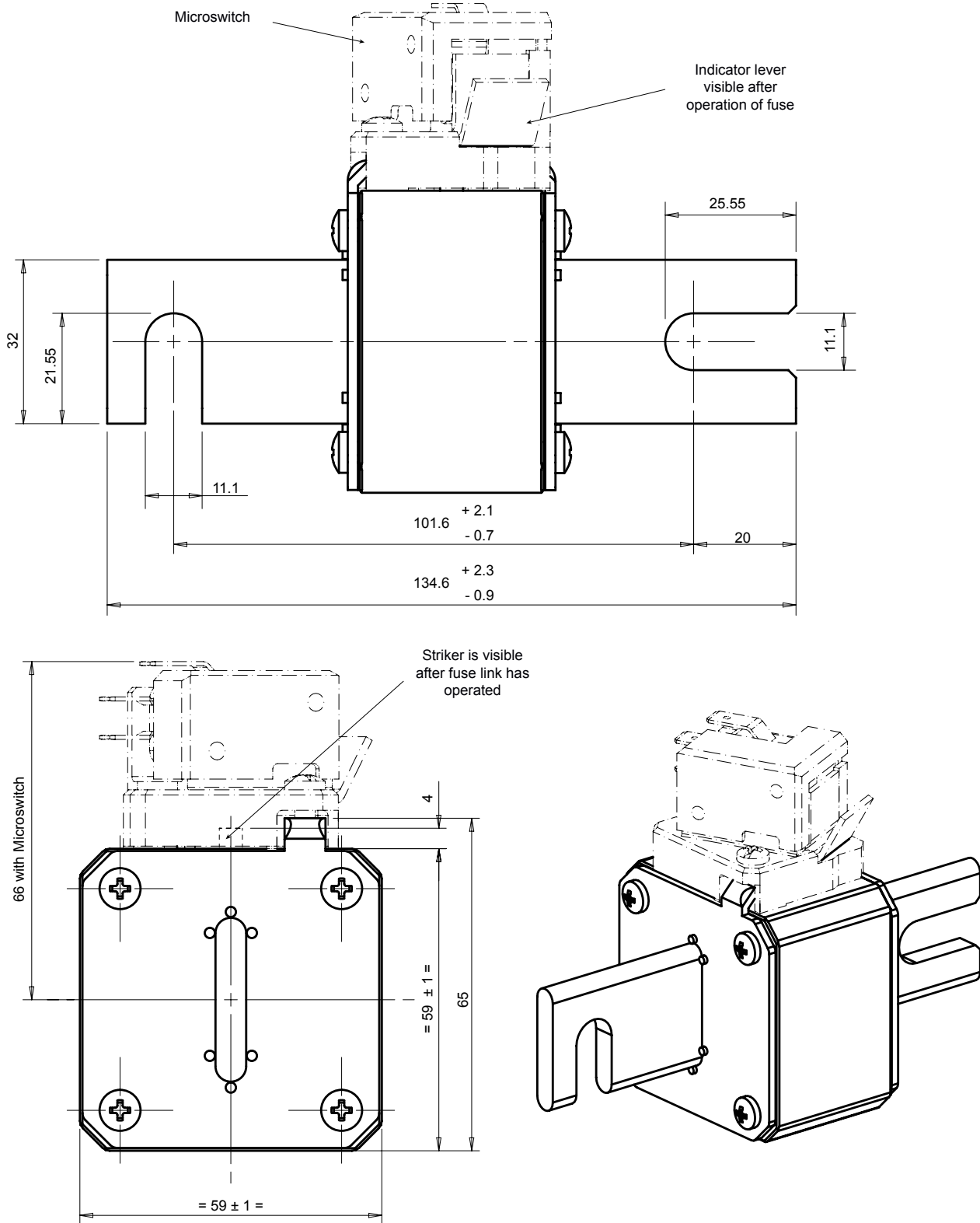
Dimensions in mm

# Protistor® size 32 aR

450 to 690VAC (IEC) / 700VAC (UL)

## DIMENSIONS

Size 32 type DIN 110 (102922)



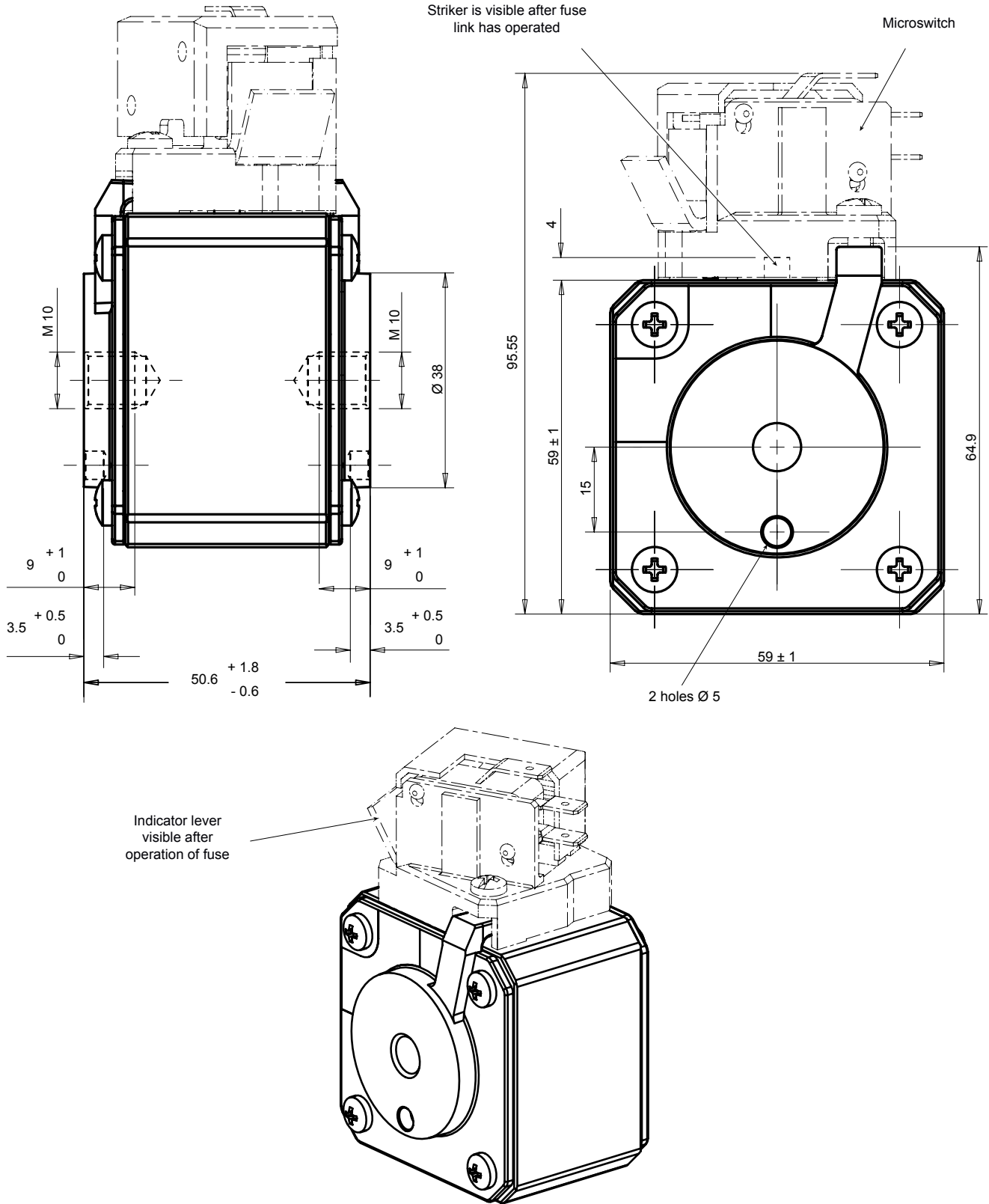
Dimensions in mm

# Protistor® size 32 aR

450 to 690VAC (IEC) / 700VAC (UL)

## DIMENSIONS

Size 32 type TTF (102756)



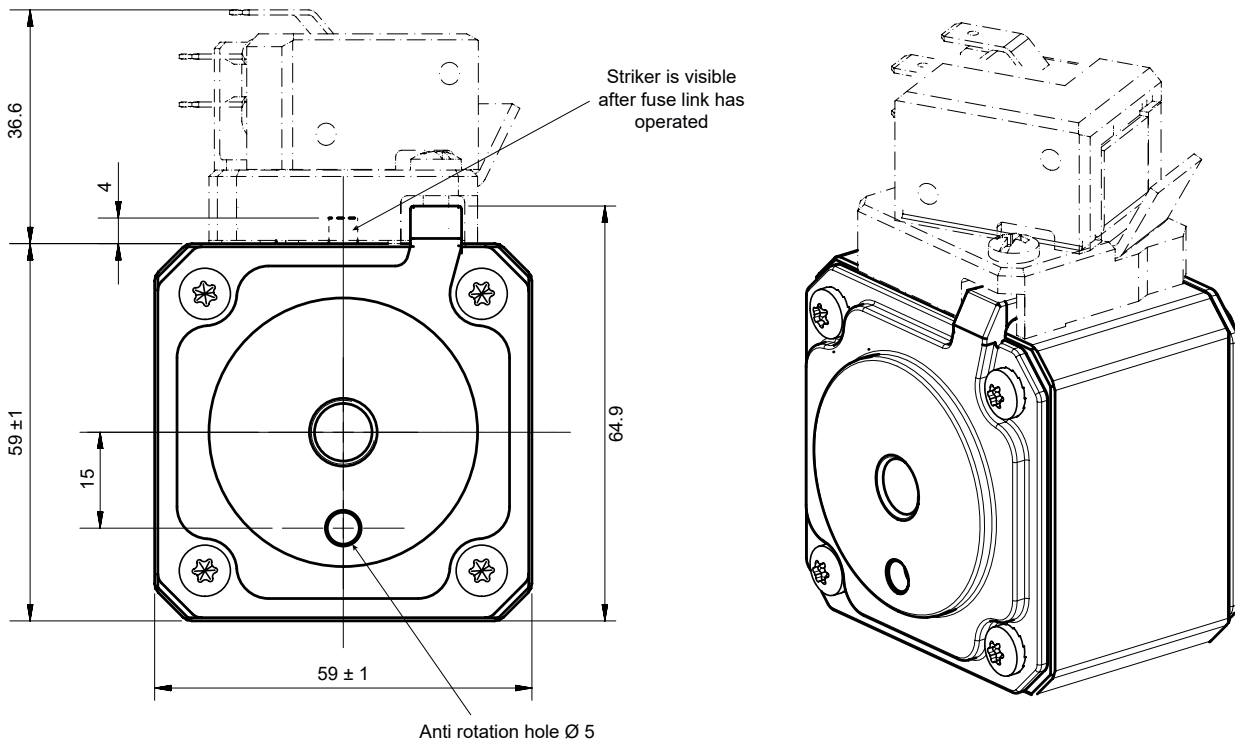
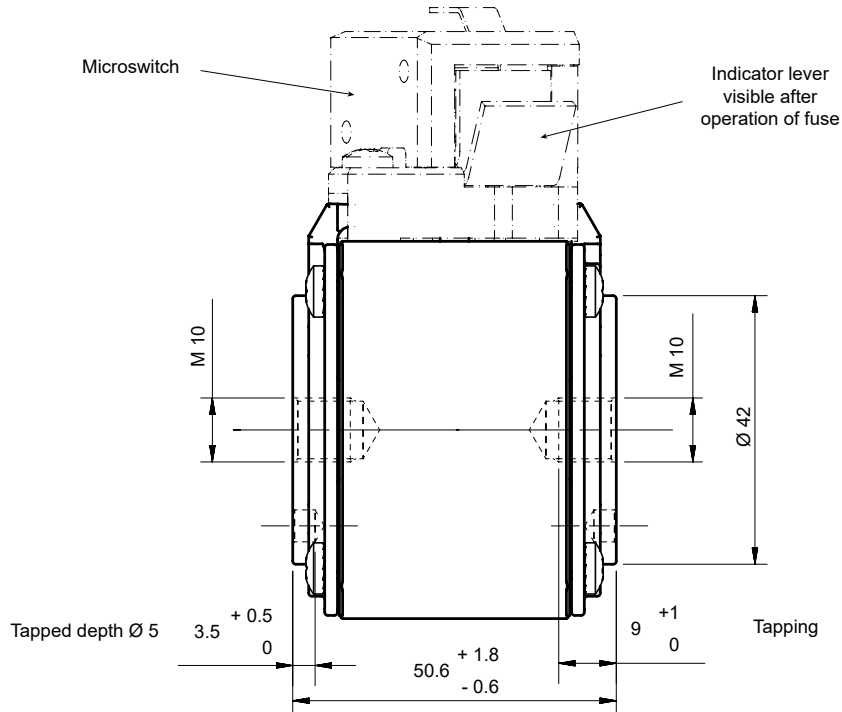
Dimensions in mm

# Protistor® size 32 aR

450 to 690VAC (IEC) / 700VAC (UL)

## DIMENSIONS

Size 32 type TTF reinforced (108188)



Dimensions in mm

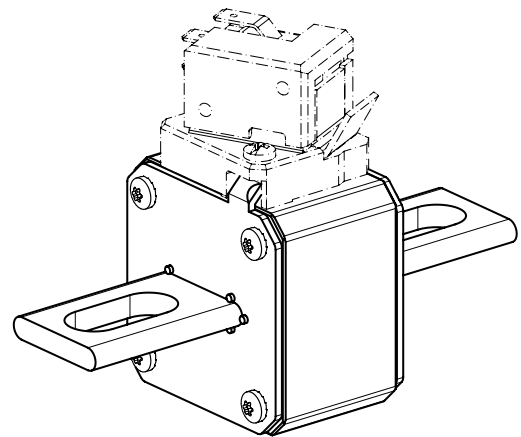
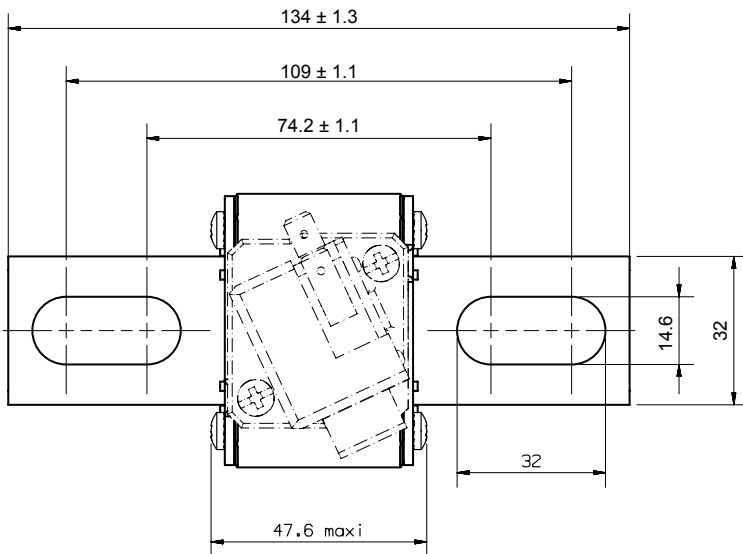
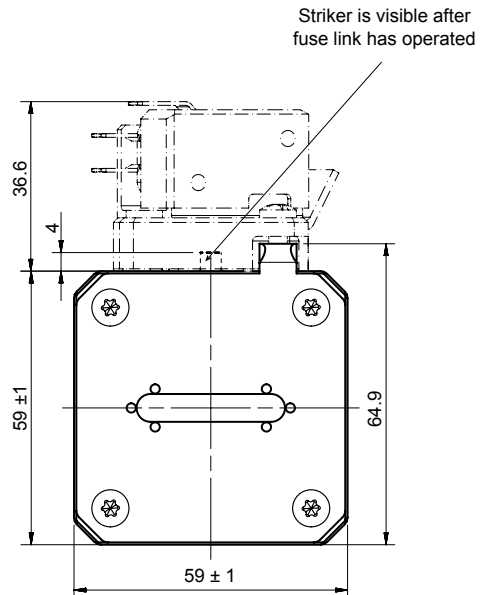
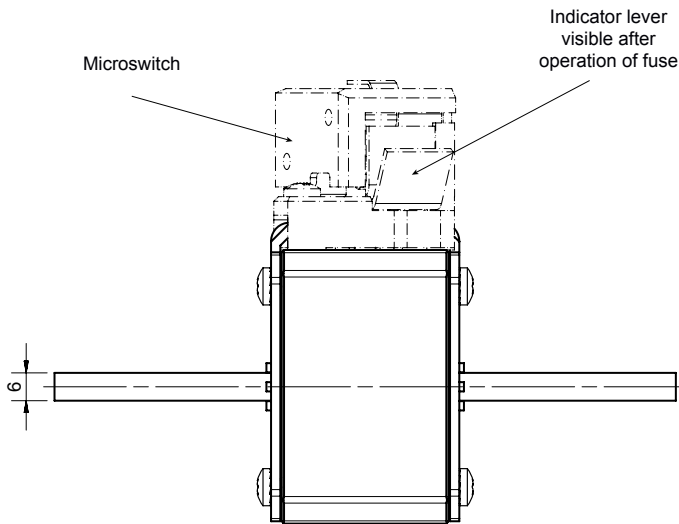


# Protistor® size 32 aR

450 to 690VAC (IEC) / 700VAC (UL)

## DIMENSIONS

Size 32 type KI (102925)



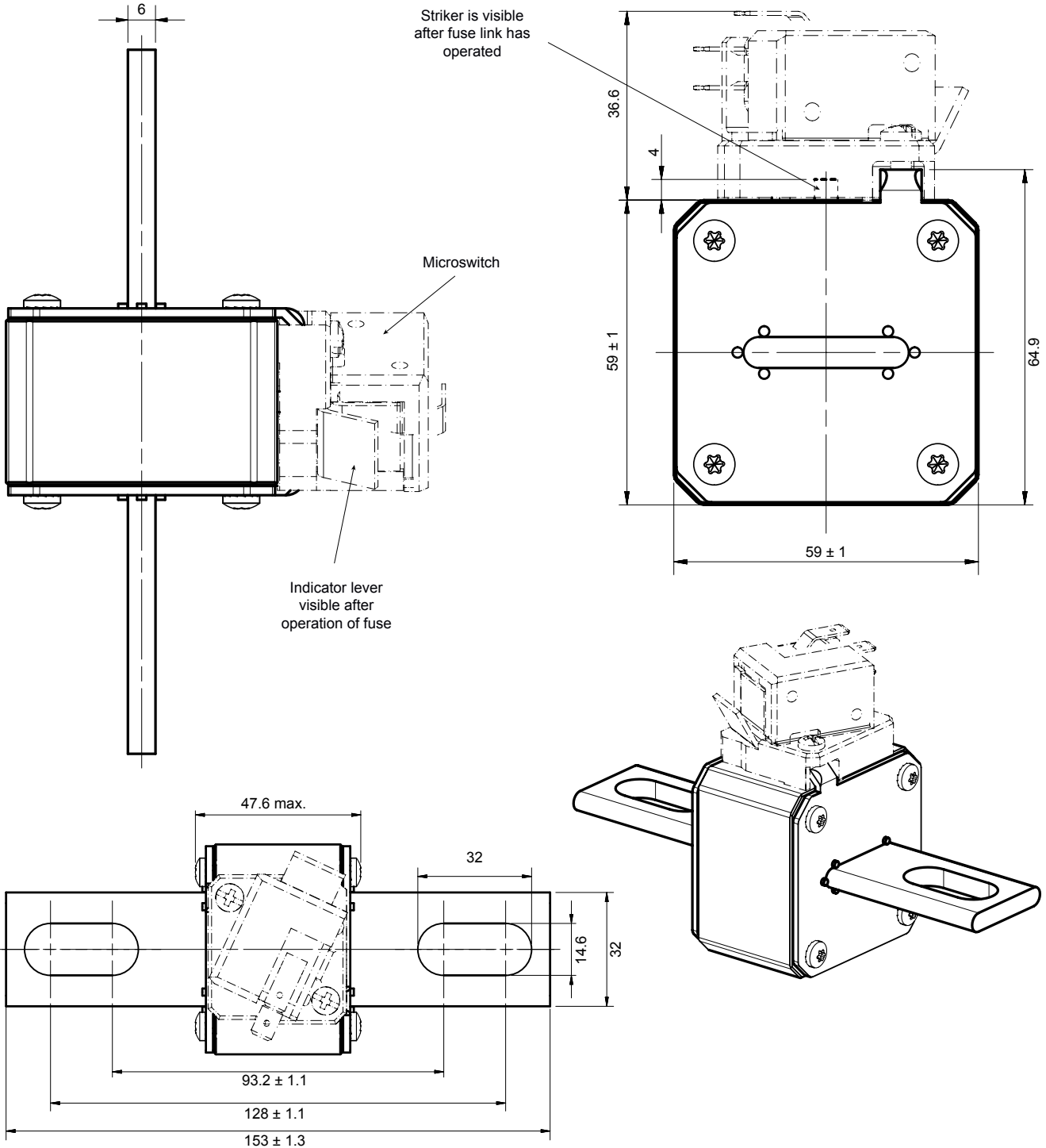
Dimensions in mm

# Protistor® size 32 aR

450 to 690VAC (IEC) / 700VAC (UL)

## DIMENSIONS

Size 32 type LI (102926)



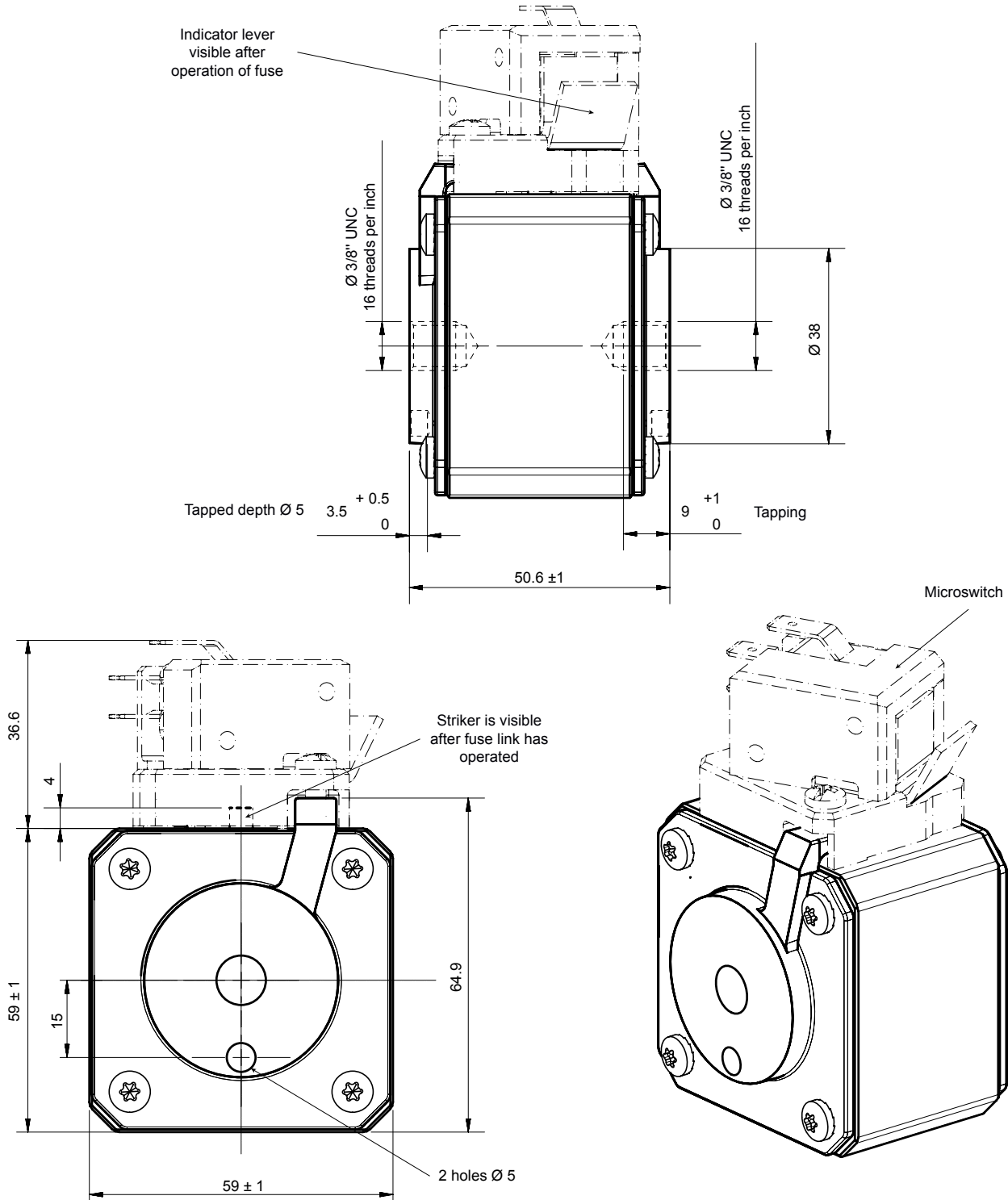
Dimensions in mm

# Protistor® size 32 aR

450 to 690VAC (IEC) / 700VAC (UL)

## DIMENSIONS

Size 32 type TTI (107302)



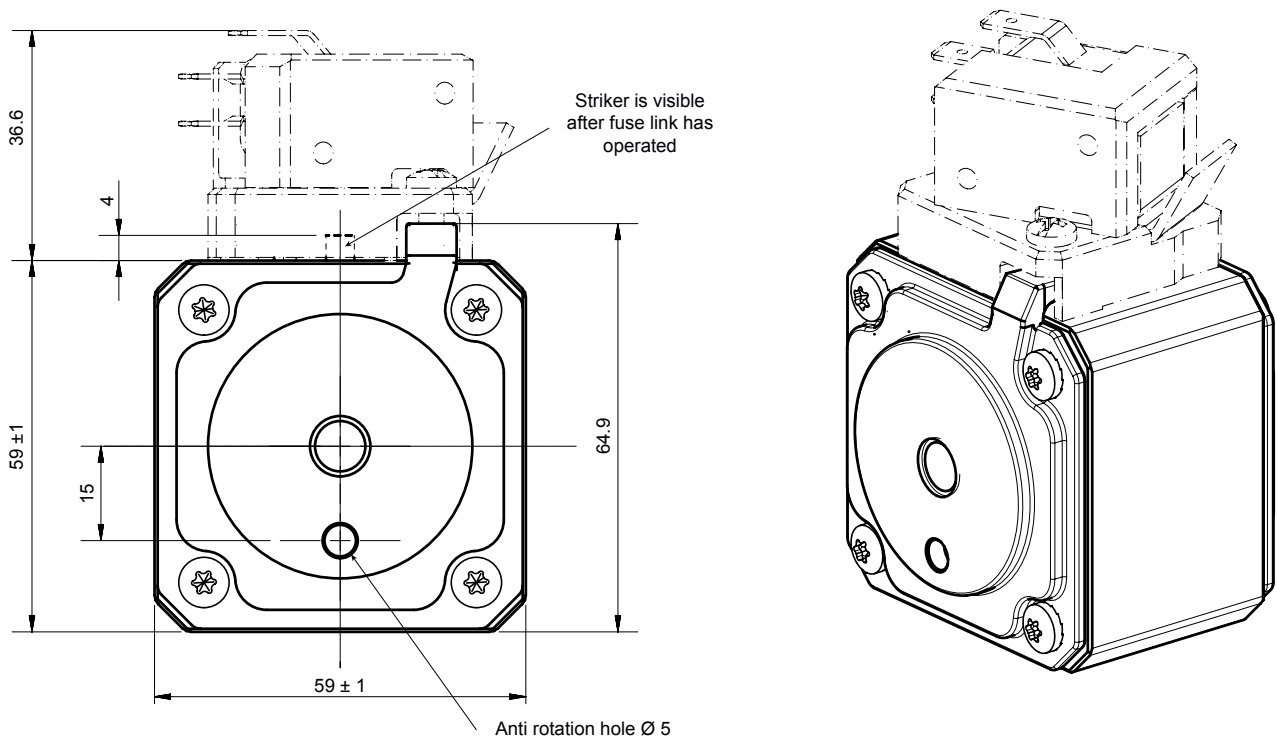
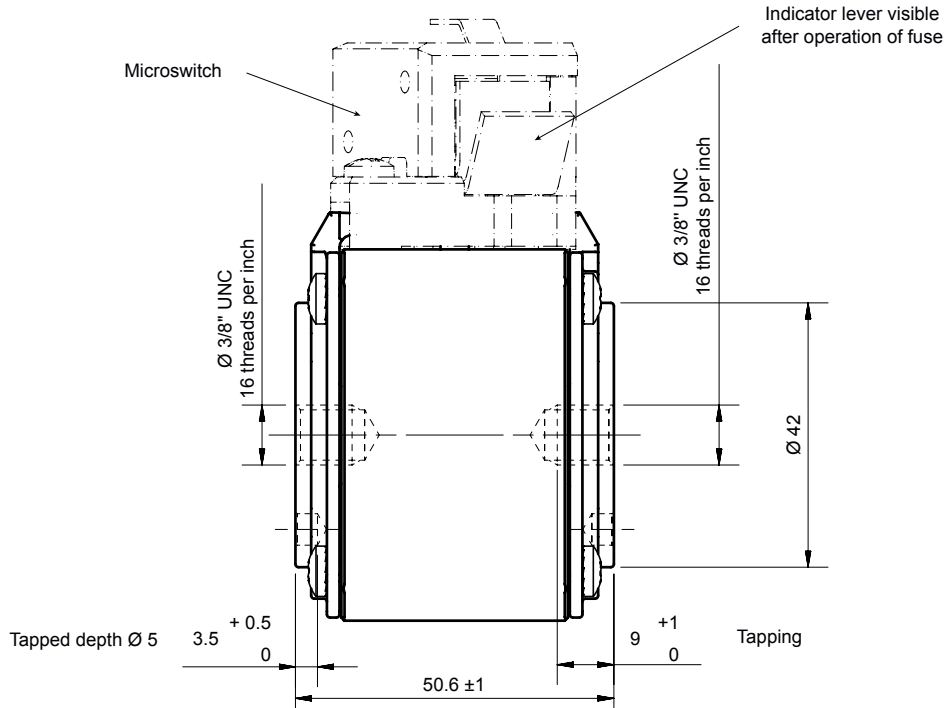
Dimensions in mm

# Protistor® size 32 aR

450 to 690VAC (IEC) / 700VAC (UL)

## DIMENSIONS

Size 32 type TTI reinforced (108833)



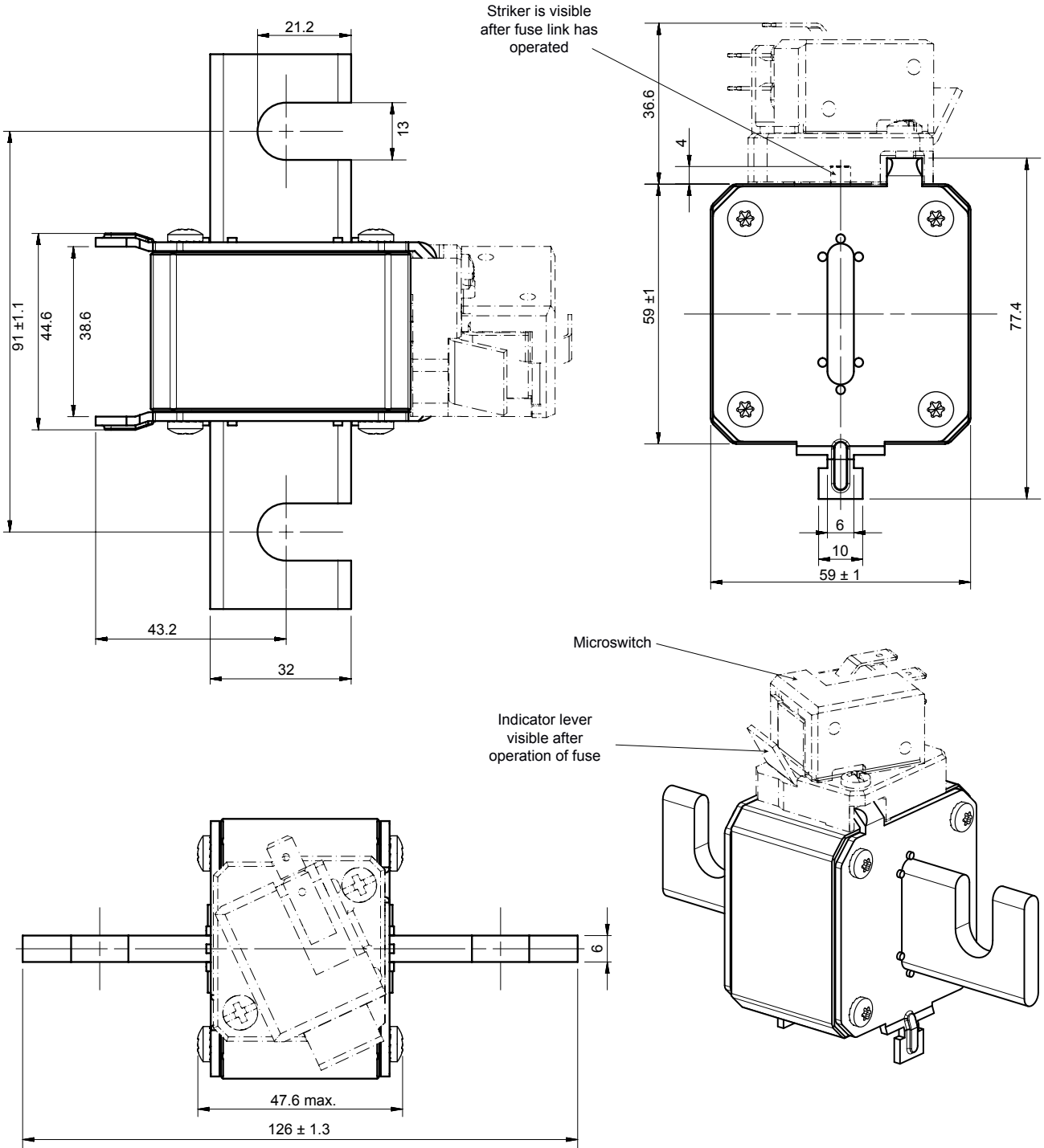
Dimensions in mm

# Protistor® size 32 aR

450 to 690VAC (IEC) / 700VAC (UL)

## DIMENSIONS

Size 32 type EF (102924)



Dimensions in mm

# Protistor® size 32 aR

450 to 690VAC (IEC) / 700VAC (UL)

## APPENDIX

### Index

Catalog number	Item number	Description 1	Page
PC32UD69V315TF	M302162	6,9 URD 32 TT F 0315	2
PC32UD69V350TF	N302163	6,9 URD 32 TT F 0350	2
PC32UD69V400TF	H300065	6,9 URD 32 TT F 0400	2
PC32UD69V450TF	J300066	6,9 URD 32 TT F 0450	2
PC32UD69V500TF	K300067	6,9 URD 32 TT F 0500	2
PC32UD69V550TF	L300068	6,9 URD 32 TT F 0550	2
PC32UD69V630TF	M300069	6,9 URD 32 TT F 0630	2
PC32UD69V700TF	N300070	6,9 URD 32 TT F 0700	2
PC32UD69V800TF	P300071	6,9 URD 32 TT F 0800	2
PC32UD69V900TF	Q300072	6,9 URD 32 TT F 0900	2
PC32UD69V1000TF	S300074	6,9 URD 32 TT F 1000	2
PC32UD60V1100TF	M300759	6 URD 32 TT F 1100	2
PC32UD55V1250TF	P301060	5,5 URD 32 TT F 1250	2
PC32UD50V1400TF	Q301061	5 URD 32 TT F 1400	2
PC32UD50V1600TF	H300893	5 URD 32 TT F 1600	2
PC32UD45V1800TF	R301062	4,5 URD 32 TT F 1800	2
A070UD32TTI400	Q300463	A 070 URD 32 TTI 0400	2
A070UD32TTI450	N300461	A 070 URD 32 TTI 0450	2
A070UD32TTI500	P300462	A 070 URD 32 TTI 0500	2
A070UD32TTI550	R300464	A 070 URD 32 TTI 0550	2
A070UD32TTI630	S300465	A 070 URD 32 TTI 0630	2
A070UD32TTI700	T300466	A 070 URD 32 TTI 0700	2
A070UD32TTI800	V300467	A 070 URD 32 TTI 0800	2
A070UD32TTI900	W300468	A 070 URD 32 TTI 0900	2
A070UD32TTI1000	X300469	A 070 URD 32 TTI 1000	2
A065UD32TTI1100	M301081	A 065 URD 32 TTI 1100	2
A060UD32TTI1250	N301082	A 060 URD 32 TTI 1250	2
A055UD32TTI1400	P301083	A 055 URD 32 TTI 1400	2
A055UD32TTI1600	Q301084	A 055 URD 32 TTI 1600	2
A050UD32TTI1800	R301085	A 050 URD 32 TTI 1800	2
PC32UD69V315A	H302158	6,9 URD 32 D08 A 0315	3
PC32UD69V350A	J302159	6,9 URD 32 D08 A 0350	3
PC32UD69V400A	E300177	6,9 URD 32 D08 A 0400	3
PC32UD69V450A	F300178	6,9 URD 32 D08 A 0450	3
PC32UD69V500A	G300179	6,9 URD 32 D08 A 0500	3
PC32UD69V550A	H300180	6,9 URD 32 D08 A 0550	3
PC32UD69V630A	J300181	6,9 URD 32 D08 A 0630	3
PC32UD69V700A	K300182	6,9 URD 32 D08 A 0700	3
PC32UD69V800A	L300183	6,9 URD 32 D08 A 0800	3
PC32UD69V900A	M300184	6,9 URD 32 D08 A 0900	3
PC32UD69V1000A	N300185	6,9 URD 32 D08 A 1000	3
PC32UD60V1100A	W302101	6 URD 32 D08 A 1100	3
PC32UD55V1250A	G300409	5,5 URD 32 D08 A 1250	3
PC32UD69V315D1A	K302160	6,9 URD 32 D11 A 0315	3
PC32UD69V350D1A	L302161	6,9 URD 32 D11 A 0350	3
PC32UD69V400D1A	P300186	6,9 URD 32 D11 A 0400	3
PC32UD69V450D1A	Q300187	6,9 URD 32 D11 A 0450	3
PC32UD69V500D1A	R300188	6,9 URD 32 D11 A 0500	3
PC32UD69V550D1A	S300189	6,9 URD 32 D11 A 0550	3
PC32UD69V630D1A	T300190	6,9 URD 32 D11 A 0630	3
PC32UD69V700D1A	V300191	6,9 URD 32 D11 A 0700	3
PC32UD69V800D1A	W300192	6,9 URD 32 D11 A 0800	3
PC32UD69V900D1A	X300193	6,9 URD 32 D11 A 0900	3
PC32UD69V10CD1A	Y300194	6,9 URD 32 D11 A 1000	3
A070UD32KI315	P302164	A 070 URD 32 KI 0315	4

# Protistor® size 32 aR

450 to 690VAC (IEC) / 700VAC (UL)

## APPENDIX

### Index

Catalog number	Item number	Description 1	Page
A070UD32KI350	Q302165	A 070 URD 32 KI 0350	4
A070UD32KI400	Z300195	A 070 URD 32 KI 0400	4
A070UD32KI450	A300196	A 070 URD 32 KI 0450	4
A070UD32KI500	B300197	A 070 URD 32 KI 0500	4
A070UD32KI550	C300198	A 070 URD 32 KI 0550	4
A070UD32KI630	D300199	A 070 URD 32 KI 0630	4
A070UD32KI700	E300200	A 070 URD 32 KI 0700	4
A070UD32KI800	F300201	A 070 URD 32 KI 0800	4
A070UD32KI900	G300202	A 070 URD 32 KI 0900	4
A070UD32KI1000	H300203	A 070 URD 32 KI 1000	4
A070UD32LI315	R302166	A 070 URD 32 LI 0315	4
A070UD32LI350	S302167	A 070 URD 32 LI 0350	4
A070UD32LI400	J300204	A 070 URD 32 LI 0400	4
A070UD32LI450	K300205	A 070 URD 32 LI 0450	4
A070UD32LI500	L300206	A 070 URD 32 LI 0500	4
A070UD32LI550	M300207	A 070 URD 32 LI 0550	4
A070UD32LI630	N300208	A 070 URD 32 LI 0630	4
A070UD32LI700	P300209	A 070 URD 32 LI 0700	4
A070UD32LI800	Q300210	A 070 URD 32 LI 0800	4
A070UD32LI900	R300211	A 070 URD 32 LI 0900	4
A070UD32LI1000	S300212	A 070 URD 32 LI 1000	4
A065UD32LI1100	B301071	A 065 URD 32 LI 1100	4
A060UD32LI1250	C301072	A 060 URD 32 LI 1250	4
A055UD32LI1400	D301073	A 055 URD 32 LI 1400	4
PC32UD69V400EF	V300168	6,9 URD 32 E F 0400	5
PC32UD69V450EF	W300169	6,9 URD 32 E F 0450	5
PC32UD69V500EF	X300170	6,9 URD 32 E F 0500	5
PC32UD69V550EF	Y300171	6,9 URD 32 E F 0550	5
PC32UD69V630EF	Z300172	6,9 URD 32 E F 0630	5
PC32UD69V700EF	A300173	6,9 URD 32 E F 0700	5
PC32UD69V800EF	B300174	6,9 URD 32 E F 0800	5
PC32UD69V900EF	C300175	6,9 URD 32 E F 0900	5
PC32UD69V1000EF	D300176	6,9 URD 32 E F 1000	5