

Protistor® size 72 gR

450 to 600VDC

SEMICONDUCTOR PROTECTION FUSES

SQUARE BODY HIGH-SPEED FUSE-LINKS DC PROTECTION



These Protistor® fuse-links provide maximum flexibility in equipment design and ultimate protection for today's power conversion equipment. These square body fuse-links are available in different body sizes, each size having multiple worldwide acceptable mounting styles.

The Protistor® have been engineered to provide state-of-the-art protection for semiconductors: diodes, thyristors, GTO's and IGBT devices. Fuses are assembled with pure silver, die-cut elements embedded in solidified sand, which helps control arcing characteristics for a lower I^2t and high interrupting rating level. All contact surfaces are silver plated and all hardware is non-magnetic.

All fuse-links can be equipped with a low voltage trip-indicator which can operate a field mountable microswitch.

TECHNICAL DATA OVERVIEW

Voltage Range DC	450 ... 600 VDC
Ampere Range (A)	200 ... 630 A
Speed/Characteristic	gR
Product Size	72

FEATURES & BENEFITS

- Multiple body sizes and terminals or blades combination
- gR Class according to IEC 60269-4 and VDE 636-23
- Low I^2t for improved semiconductor protection
- Extremely fast acting
- Eliminate all overloads
- Excellent cycling capability

APPLICATIONS

- Protection of inverters, motor drives, UPS systems and similar 600V or less equipments.

STANDARDS

- IEC 60269-4 Compliance
- UL/CSA Recognized E76491



Protistor® size 72 gR

450 to 600VDC

PRODUCT RANGE

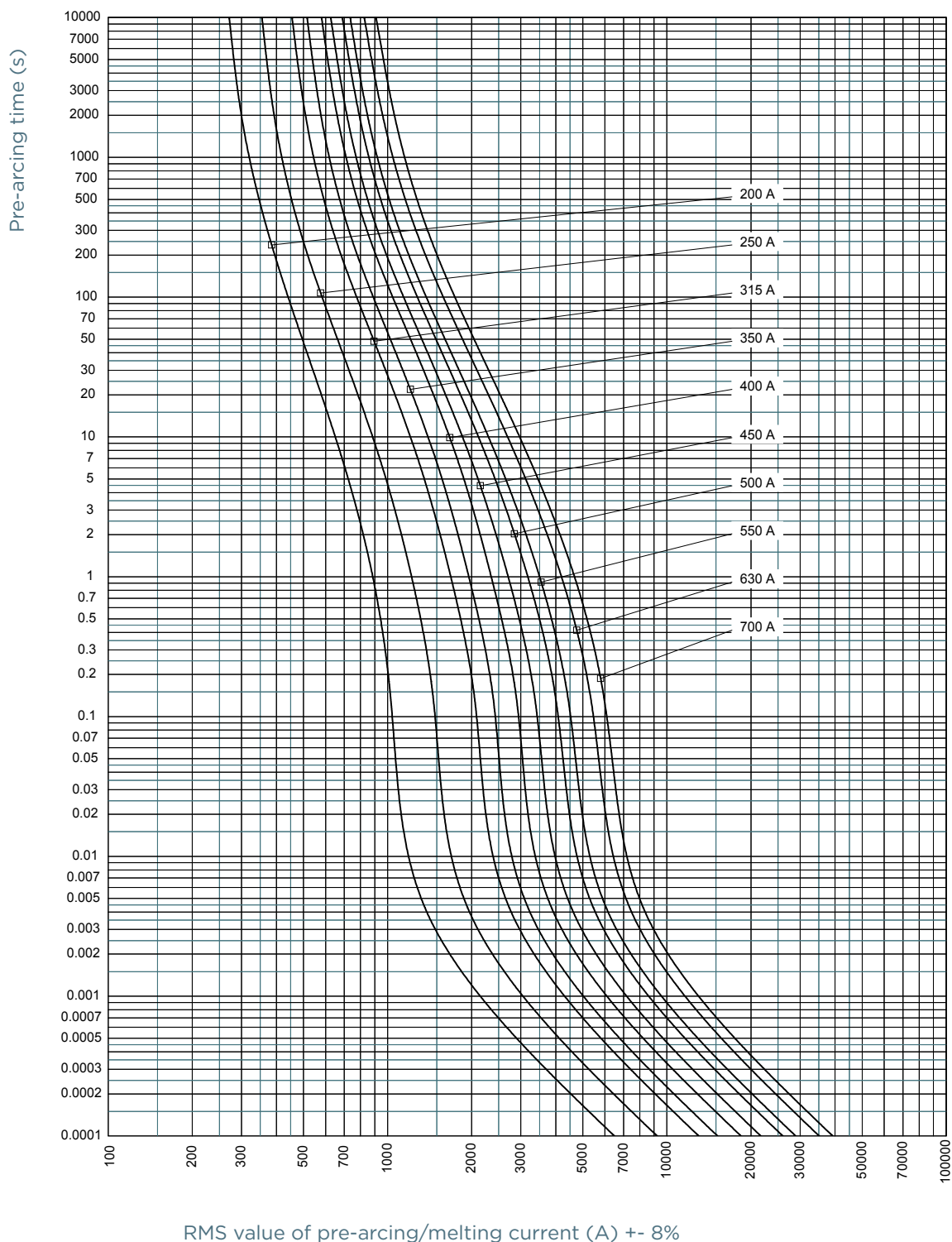
Size 72 type TTF-with one ISO metric threaded hole

Catalog number	Item number	Rated voltage DC (IEC)	Rated voltage DC (UL)	Rated current I _n	Pre-arcing I ² t	Power dissipation at I _n	Package	Weight
D72GB60V200TF	G302088	600 V	650 V	200 A	4232 A ² s	45 W	3	0.73 kg
D72GB60V250TF	H302089	600 V	650 V	250 A	8554 A ² s	49 W	3	0.73 kg
D72GB60V315TF	J302090	600 V	650 V	315 A	17002 A ² s	55 W	3	0.73 kg
D72GB60V350TF	K302091	600 V	650 V	350 A	23156 A ² s	58 W	3	0.73 kg
D72GB60V400TF	L302092	600 V	650 V	400 A	34113 A ² s	63 W	3	0.73 kg
D72GB55V450TF	M302093	550 V	600 V	450 A	47309 A ² s	67 W	3	0.73 kg
D72GB55V500TF	N302094	550 V	600 V	500 A	68007 A ² s	69 W	3	0.73 kg
D72GB45V550TF	A302818	450 V	500 V	550 A	84050 A ² s	75 W	3	0.73 kg
D72GB45V630TF	Z302196	450 V	500 V	630 A	123803 A ² s	81 W	3	0.73 kg
D72GB45V700TF	C1016602	450 V	500 V	700 A	154790 A ² s	89 W	3	0.73 kg

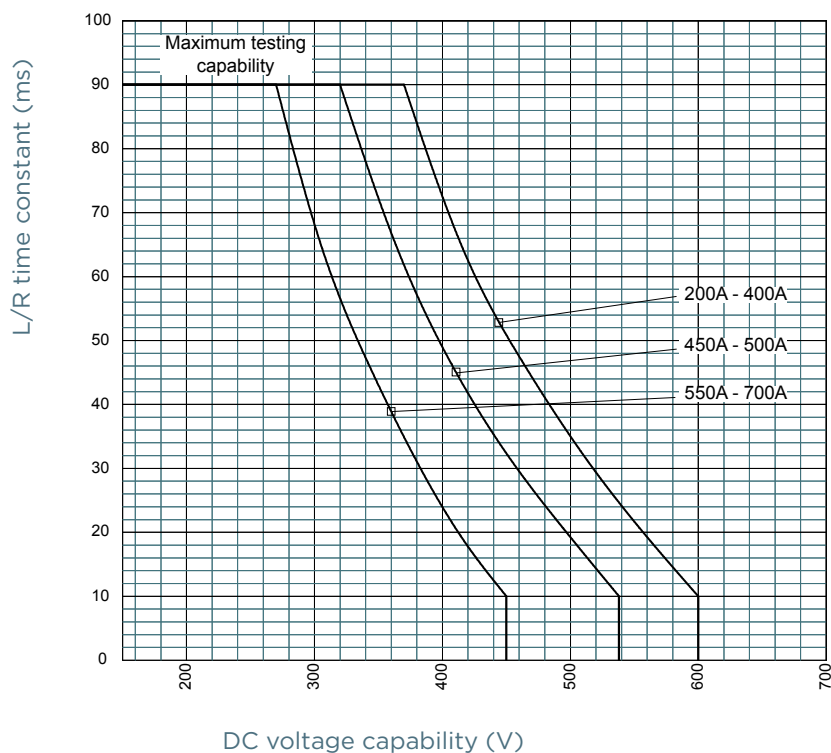
Size 72 type EF style notched blade connections

Catalog number	Item number	Rated voltage DC (IEC)	Rated voltage DC (UL)	Rated current I _n	Pre-arcing I ² t	Power dissipation at I _n	Package	Weight
D72GB60V200EF	M302691	600 V	650 V	200 A	4232 A ² s	45 W	3	0.76 kg
D72GB60V250EF	N302692	600 V	650 V	250 A	8554 A ² s	50 W	3	0.76 kg
D72GB60V350EF	P302693	600 V	650 V	350 A	23156 A ² s	60 W	3	0.76 kg
D72GB60V400EFB	L1005363	600 V	650 V	400 A	34113 A ² s	65 W	3	0.76 kg
D72GB55V450EFB	B1003123	550 V	600 V	450 A	47309 A ² s	70 W	3	0.76 kg
D72GB45V550EF	Q302694	450 V	500 V	550 A	84050 A ² s	72 W	3	0.76 kg

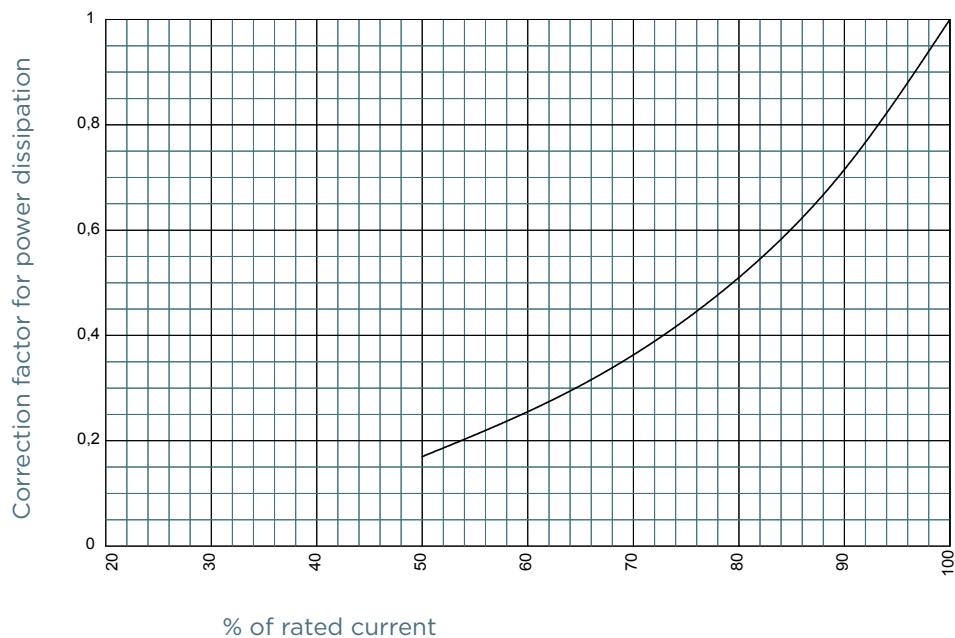
TIME CURRENT CHARACTERISTIC CURVES



L/R TIME CONSTANT VS DC VOLTAGE CAPABILITY



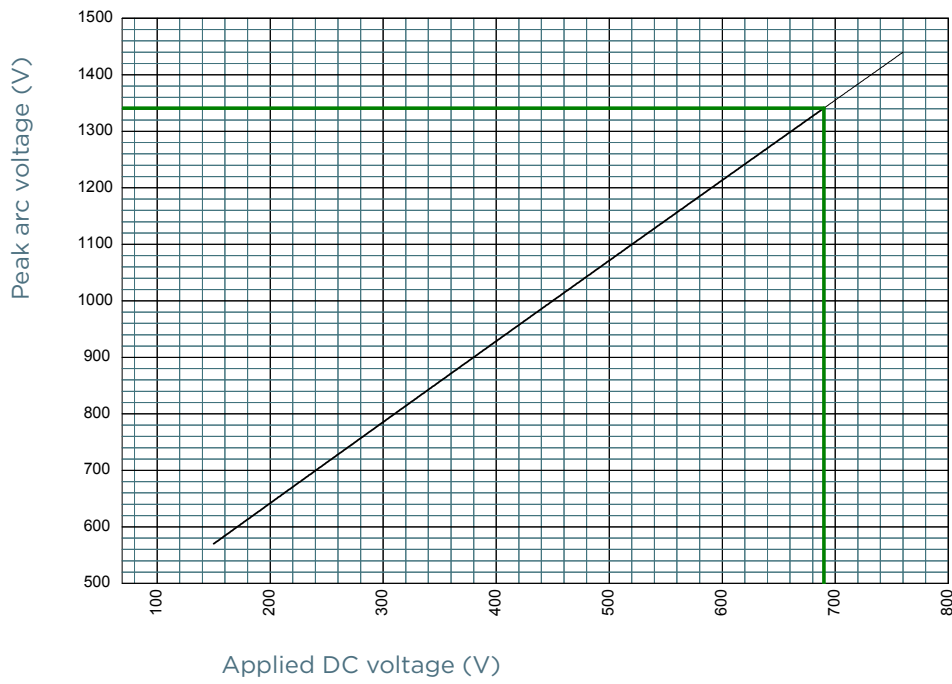
POWER DISSIPATION



Protistor® size 72 gR

450 to 600VDC

PEAK ARC VOLTAGE

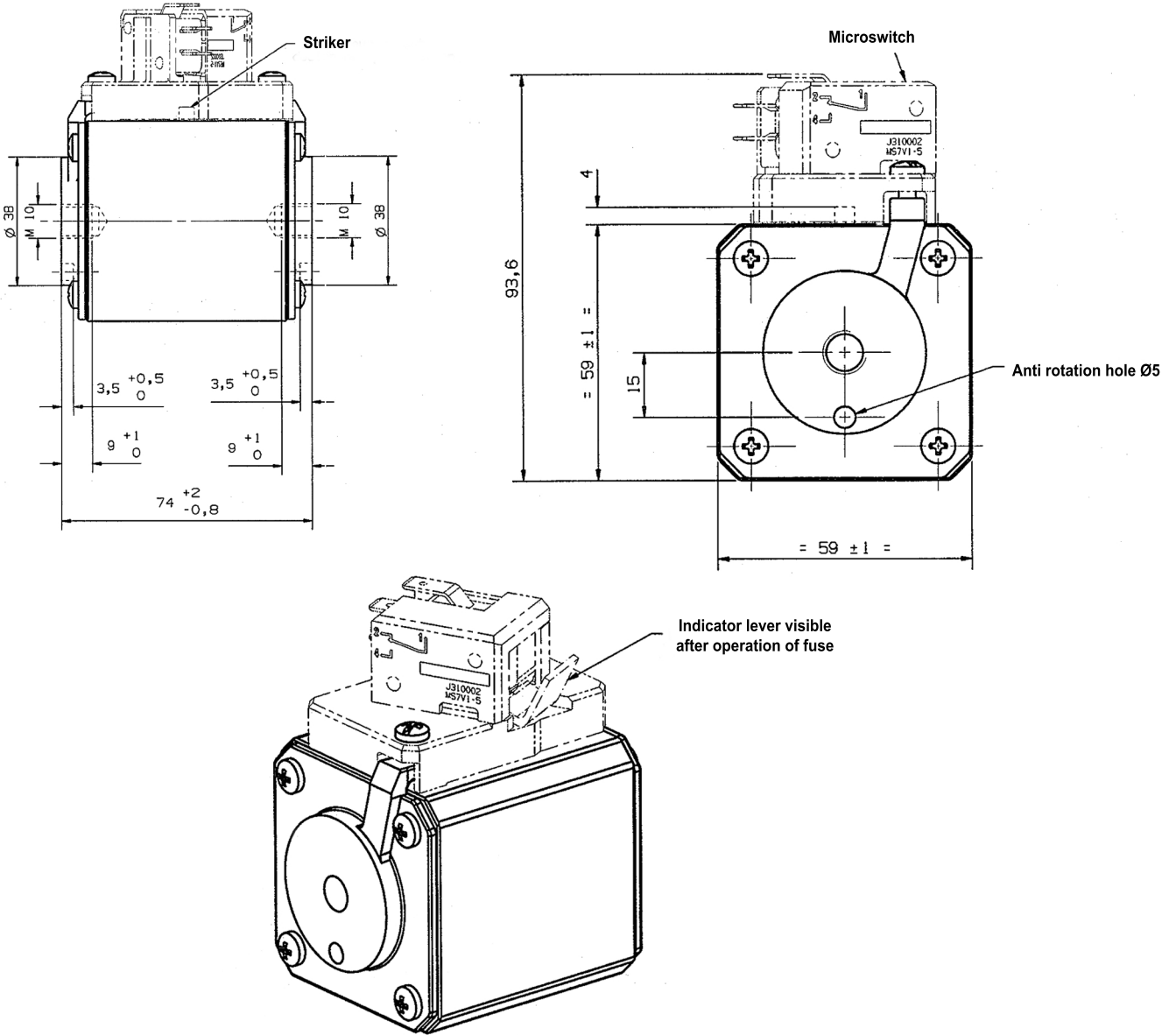


Protistor® size 72 gR

450 to 600VDC

DIMENSIONS

Size 72 gR type TTF



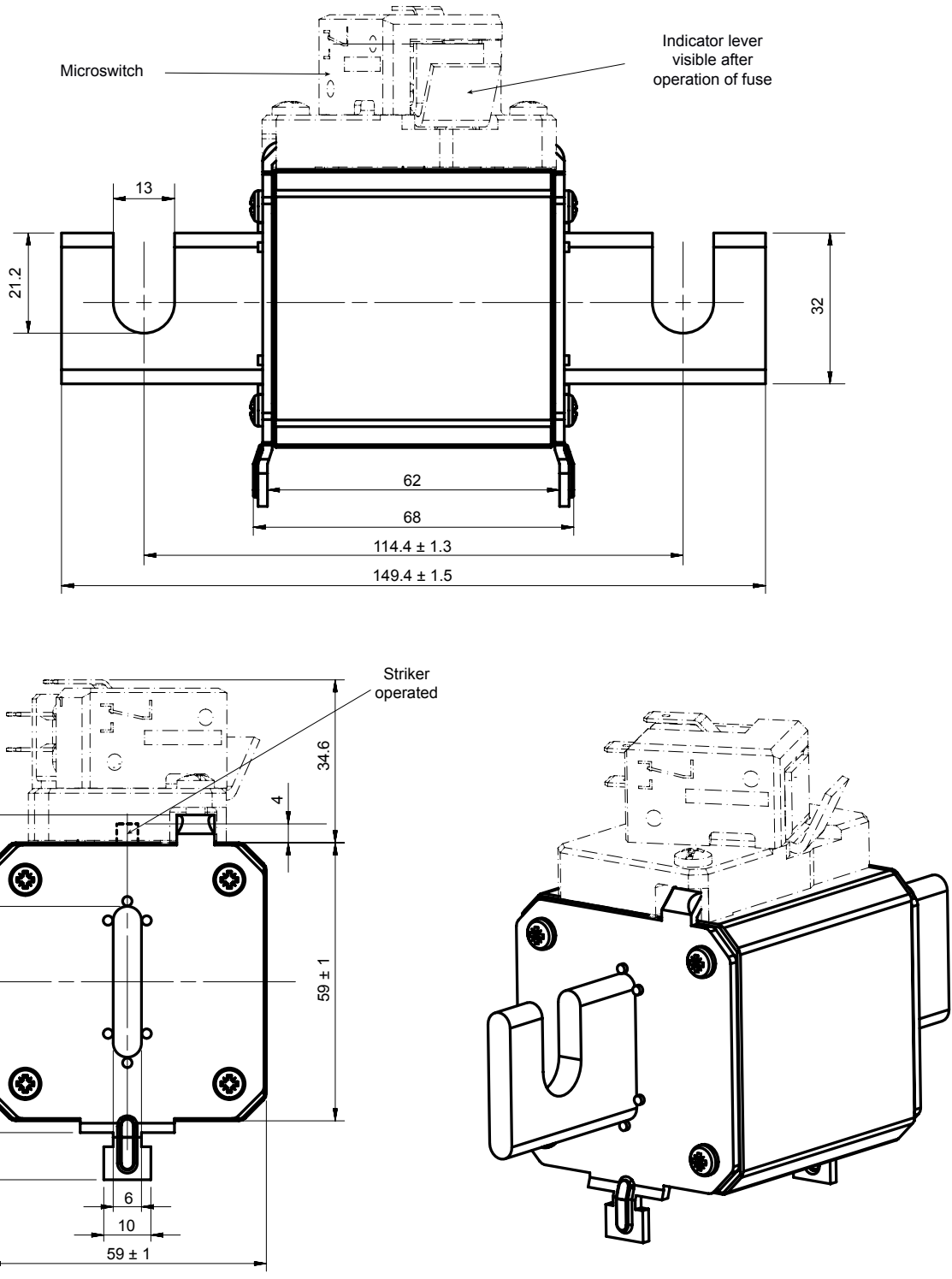
Dimensions in mm

Protistor® size 72 gR

450 to 600VDC

DIMENSIONS

Size 72 gR type EF



Dimensions in mm