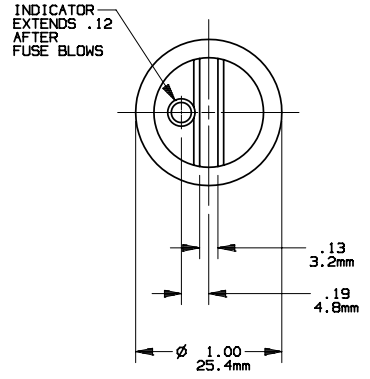
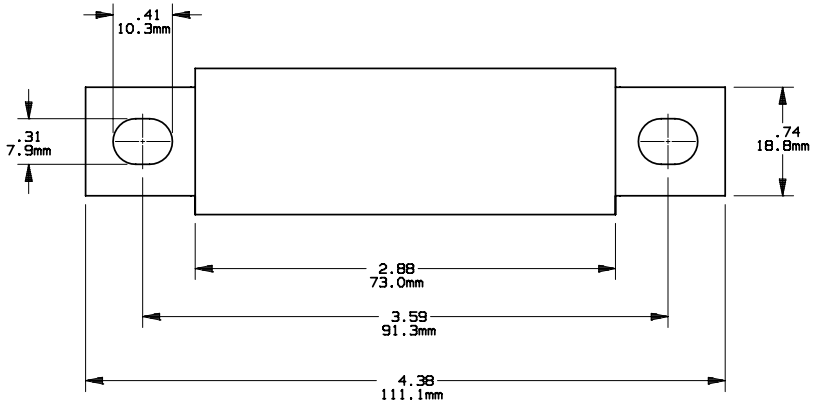


REV	DATE	ECO	DESCRIPTION	BY	CK	APP
E	6-28-07	NA	REDRAWN-WAS ON 17142 REV D REMOVED 65A-400A RATINGS	LDB	NA	NA



MERSEN USA NEWBURYPORT-MA, LLC  
374 MERRIMAC STREET  
NEWBURYPORT, MA 01950

A70P(35-60)-4TI

OUTLINE DIMENSIONS  
NOT TO BE USED FOR PRODUCTION

FORM 101

17142

PRODUCT MANAGER

DESIGN ENGINEER

30-60A 700V

SIGN:

SIGN:

DATE:

DATE: