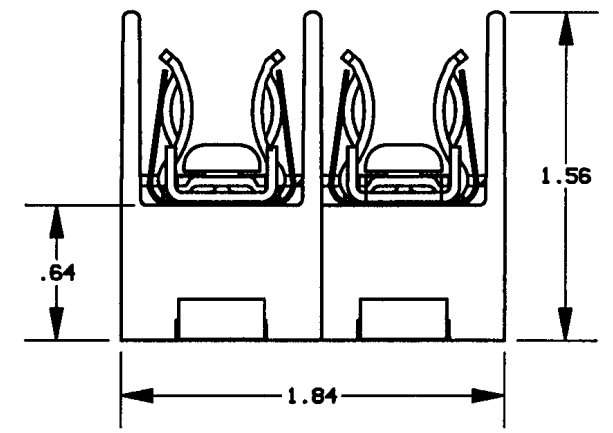
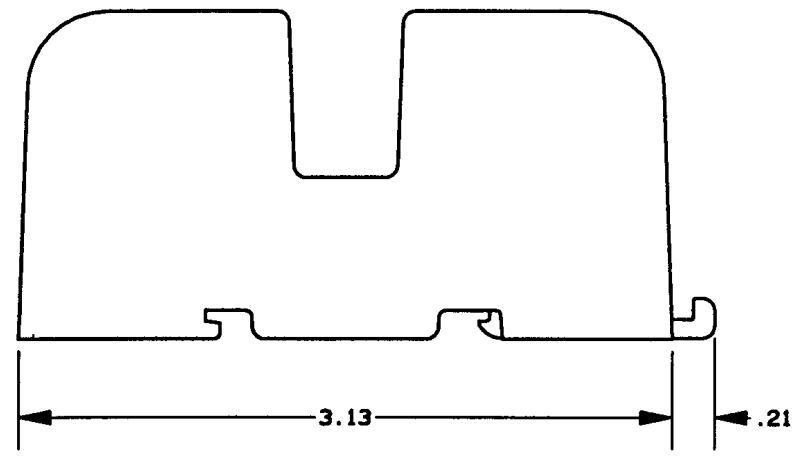
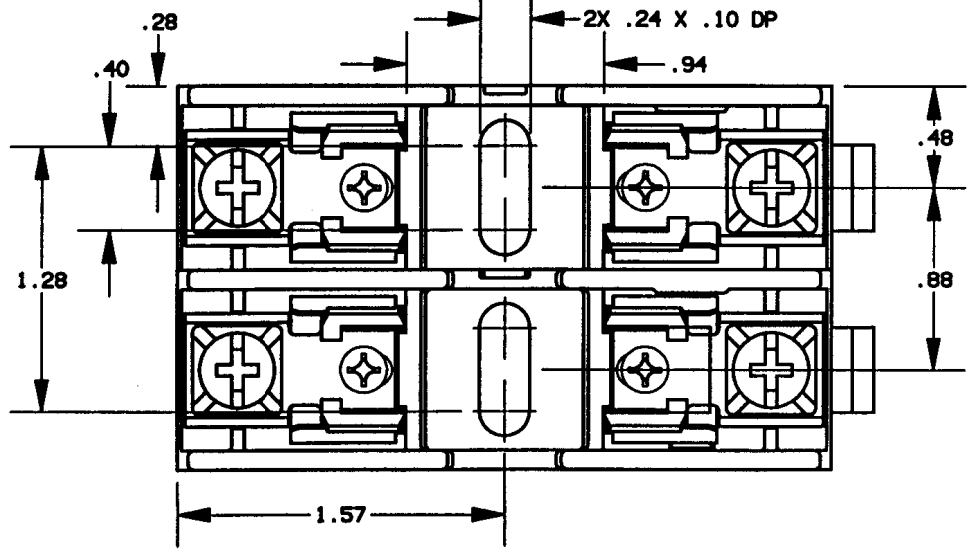


| REV | DATE | ECO | DESCRIPTION | BY | CK | APP |
|-----|---------|-----|-----------------|-----|-----|-----|
| - | 26AUG97 | N/A | INITIAL RELEASE | PRR | N/A | N/A |



| P/N | CONN TYPE | RMS SYM RATING | TORQUE (IN-LBS) | WIRE | | U/L | | CSA |
|--------|----------------|----------------|-----------------|-------|---------|----------|-----------|------------|
| | | | | °C | TYPE | FILE NO. | GUIDE NO. | REPORT NO. |
| 60327T | PRESSURE PLATE | 200K | 20 | 60/75 | CU ONLY | E52283 | IZLT | LR32169 |

NOTES:
 1. TOLERANCES ±.015 UNLESS OTHERWISE SPECIFIED.
 2. MATERIAL COMPOSITION AND RATING THERMOPLASTIC-125°C RTI.

GOULD 374 MERRIMAC STREET
 NEWBURYPORT, MA 01950

| | |
|---|---|
| PRODUCT MANAGER SIGN: <i>Michael Zich</i> DATE: 9-15-97 | DESIGN ENGINEER SIGN: <i>Steve M.B.</i> DATE: 9/12/97 |
|---|---|

FUSE BLOCK, 600V-30A, 2 POLE
 CLASS T

OUTLINE DIMENSIONS
 NOT TO BE USED FOR PRODUCTION

700229