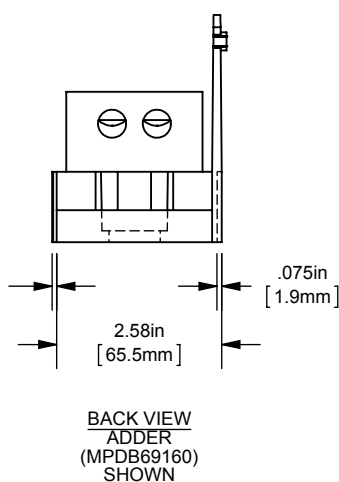
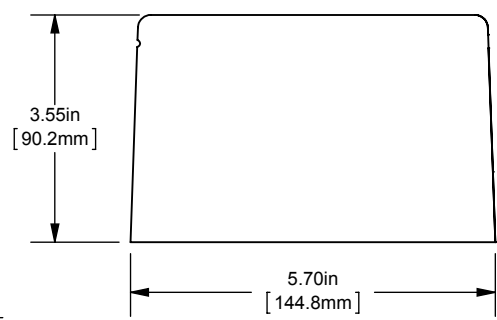
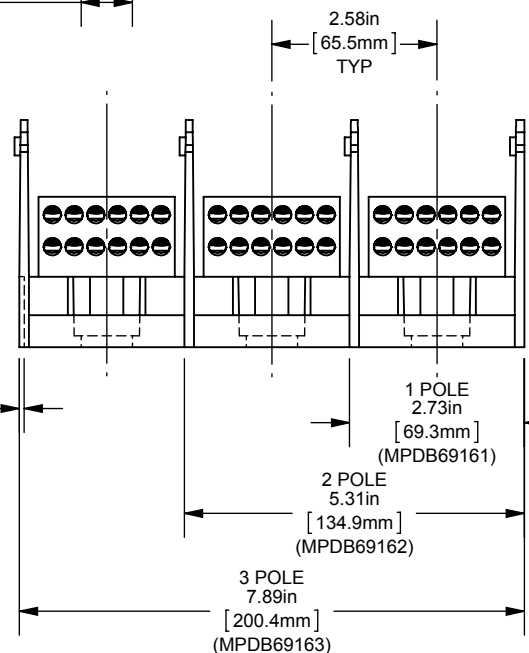
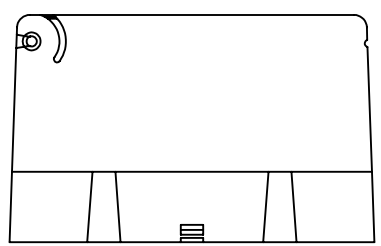
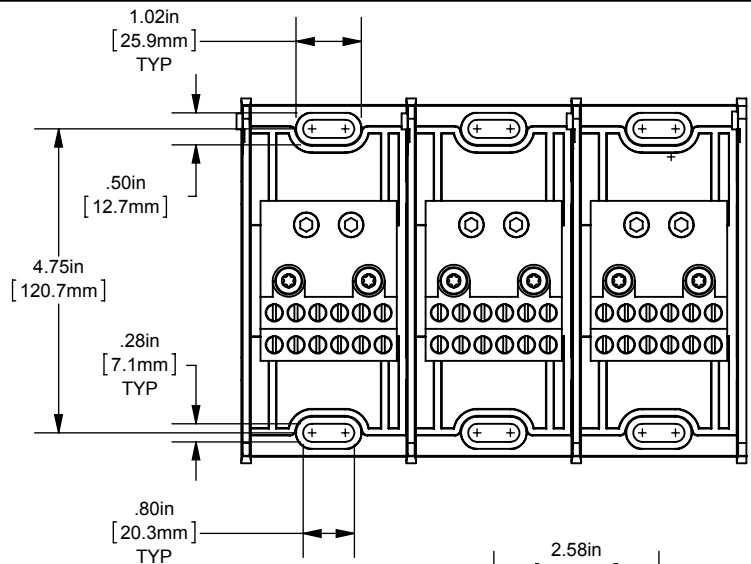


REV.	DATE	ECO	DESCRIPTION	BY	CK	APP
-	8/28/2013	N/A	INITIAL RELEASE	GDR	N/A	N/A



DIMENSIONS IN [ ] ARE MILLIMETERS



MERSEN USA NEWBURYPORT-MA, LLC  
374 MERRIMAC STREET  
NEWBURYPORT, MA 01950

MPDB(69160,69161,69162,69163)  
PDB 1-3,ADDER ALUMINUM LARGE  
(2) 2/0-14 X (12) 4-14

OUTLINE DIMENSIONS  
NOT TO BE USED FOR PRODUCTION

701983

PRODUCT MANAGER  
SIGN:  
DATE:

DESIGN ENGINEER  
SIGN:  
DATE: (SEE ECO)