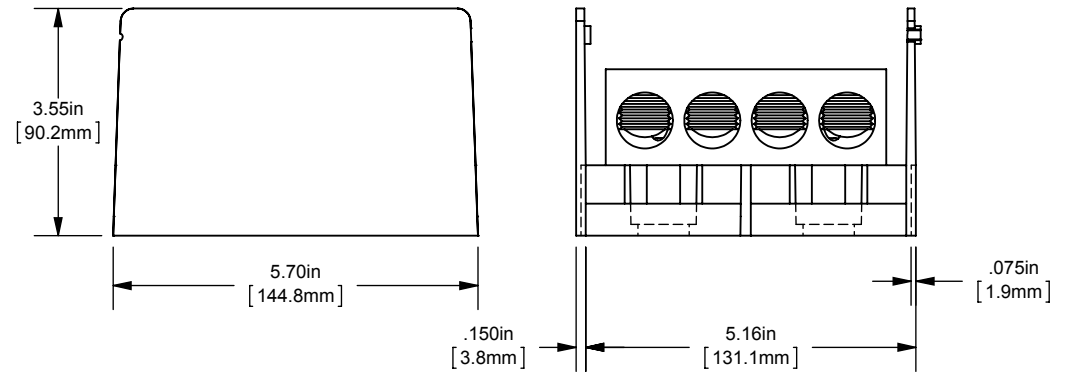
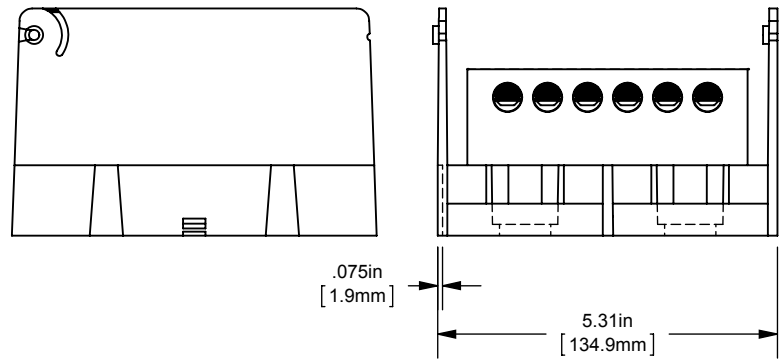
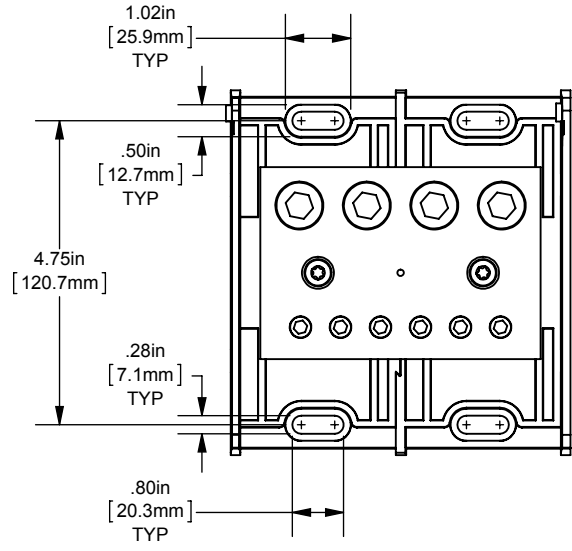


REV.	DATE	ECO	DESCRIPTION	BY	CK	APP
-	9/18/2013	N/A	INITIAL RELEASE	GDR	N/A	N/A



DIMENSIONS IN [] ARE MILLIMETERS



MERSEN USA NEWBURYPORT-MA, LLC
 374 MERRIMAC STREET
 NEWBURYPORT, MA 01950

MPDB800121

PDB COPPER LARGE DOUBLE WIDE

(4) 500-4 X (6) 2/0-12

OUTLINE DIMENSIONS
 NOT TO BE USED FOR PRODUCTION

702010

PRODUCT MANAGER
 SIGN:
 DATE:

DESIGN ENGINEER
 SIGN:
 DATE: (SEE ECO)