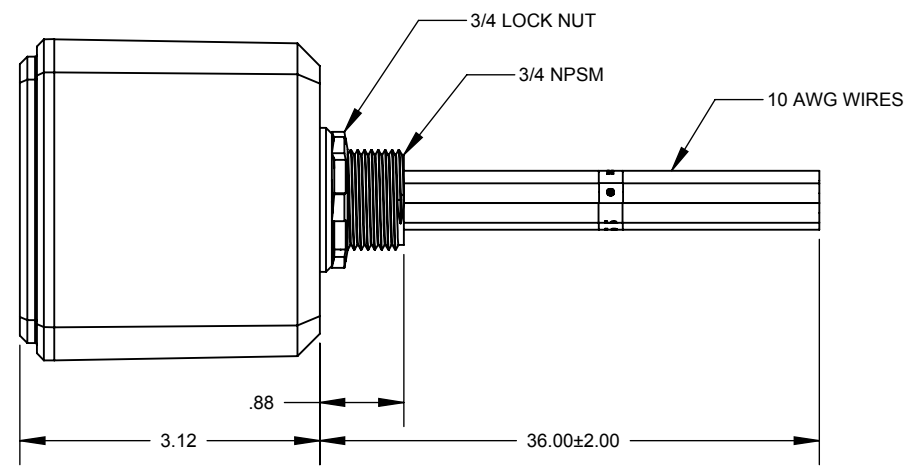
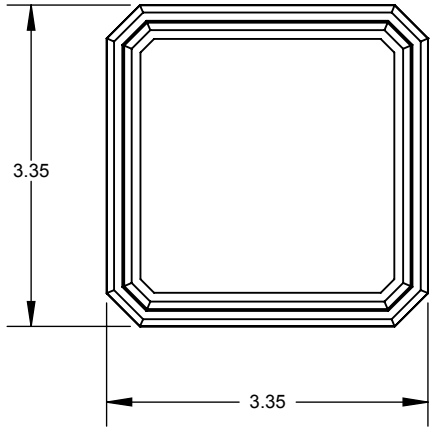


| REV. | DATE | ECO | DESCRIPTION | BY | CK | APP |
|------|-----------|-----|-----------------|-----|-----|-----|
| - | 1/18/2016 | N/A | INITIAL RELEASE | JRB | N/A | N/A |



DIMENSIONS IN [] ARE MILLIMETERS



MERSEN USA NEWBURYPORT-MA, LLC
374 MERRIMAC STREET
NEWBURYPORT, MA 01950

PRODUCT MANAGER
SIGN: R. LYONS
DATE: 2/23/16

DESIGN ENGINEER
SIGN: C. MCKENZIE
DATE: 2/23/16

STXR Series
Surge-Trap® SPD Type 1

OUTLINE DIMENSIONS
NOT TO BE USED FOR PRODUCTION

702101