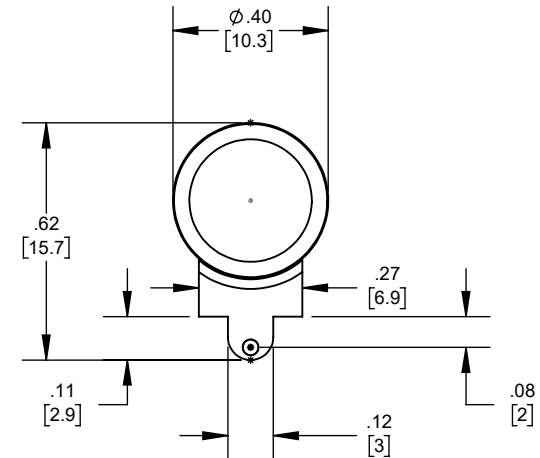
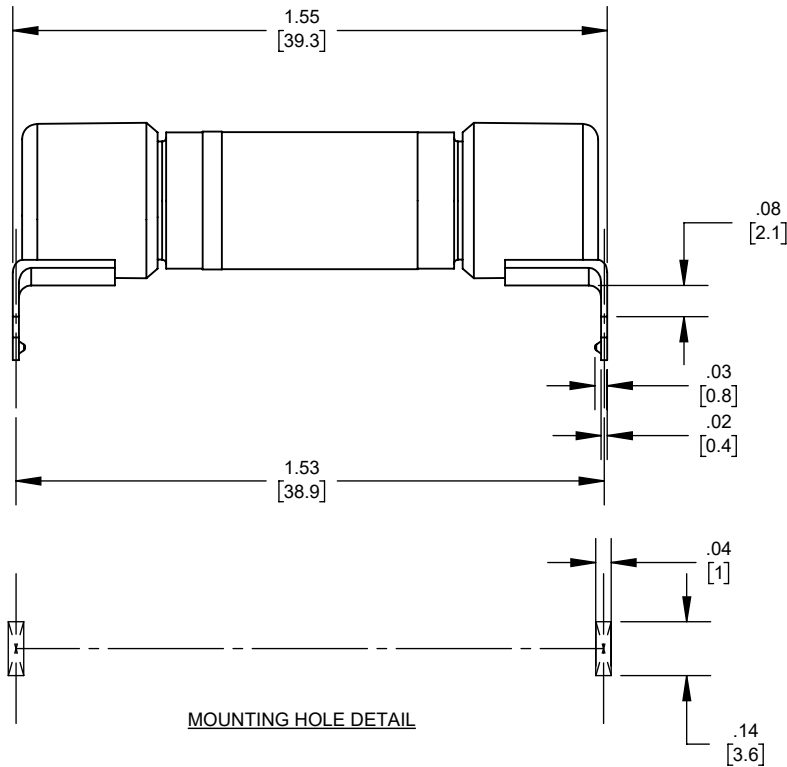


NOTES:
1. FOR .062 [1.6MM] NOMINAL CIRCUIT BOARD THICKNESS

REV.	DATE	ECO	DESCRIPTION	BY	CK	APP
A	2/14/2023	17152	INITIAL RELEASE	ABT	N/A	SEE ECO

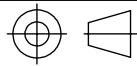


MOUNTING HOLE DETAIL

OUTLINE DIMENSIONS
NOT TO BE USED FOR PRODUCTION

DIMENSIONS IN []
ARE MILLIMETERS

MDC06A50P
MDC06A40P
MDC06A35P
MDC06A30P
MDC06A25P
MDC06A20P
MDC06A15P
MDC06A12P
MDC06A10P
MDC06A8P
MDC06A7P
MDC06A6P
MDC06A5P
MDC06A4P
MDC06A3P
MDC06A2P
MDC06A1P
CATALOG NUMBER

Approval stage / Etat d'approbation: APPROUVÉ POUR FABRICATION / APPROVED FOR MANUFACTURING	Product Class:/ Product Type: DC DISTRIBUTION FUSE		
Initial ECO / ECO intiale: ECO-17152-000	Product amp rating:/ Voltage rating: 1-50A 600V AC/DC	Title / Titre: OUTLINE MDC06A(1-50)P	Weight : Masse :
Draw by / Dessiné par: Alma Balcazar	Date : 3/1/2023	Drawing / de dessin: OUT-1201775	
Checked by / Vérifié par: Yadyra Fang	Date : 3/1/2023		
Electrical Power 374 MERRIMAC STREET NEWBURYPORT, MA 01950	Éch / Scale : 2:1 Format / Size : A	Part / Article: SEE TABLE	Page : 1/1
MERSEN			

Ce plan strictement confidentiel est la propriété exclusive de la société MERSEN sans l'autorisation écrite de laquelle il ne peut être ni reproduit, ni copié, ni communiqué à des tiers.
This drawing and specifications there on is property of MERSEN and shall not be reproduced or copied or used in whole or in part as the base for manufacture or sale of item without written permission.