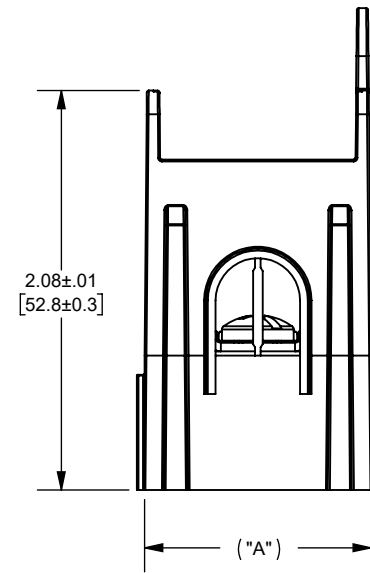
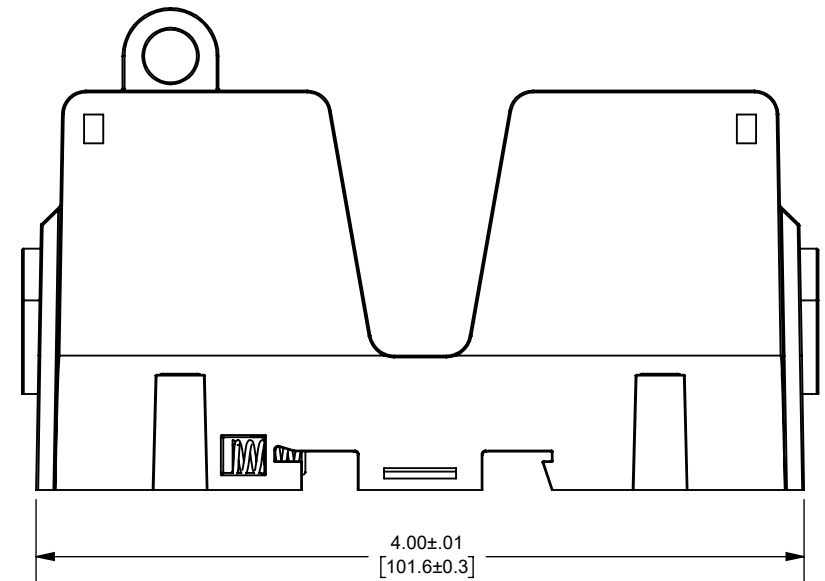


REV.	DATE	ECO	DESCRIPTION	BY	CK	APP
A	3/15/2023	16668	INITIAL RELEASE	MAR	N/A	SEE ECO
B	9/20/2024	18711	ADDED TYPE AND DIM .50[12.7]	YF	N/A	SEE ECO



OUTLINE DIMENSIONS
NOT TO BE USED FOR PRODUCTION

DIMENSIONS IN []
ARE MILLIMETERS

<i>Approval stage / Etat d'approbation:</i> APPROUVÉ POUR FABRICATION / APPROVED FOR MANUFACTURING		Product Class: / Product Type: CLASS J FUSEHOLDER/ SCREW	
<i>Initial ECO / ECO intiale:</i> ECO-16668-000		Product amp rating: / Voltage rating: 30A 600V	
<i>Draw by / Dessiné par:</i> Yadyra Fang		Date : 9/27/2024	
<i>Checked by / Vérifié par:</i> Luis ARMENTA		Date : 9/27/2024	
Electrical Power 374 MERRIMAC STREET NEWBURYPORT, MA 01950		Éch / Scale : 1:1 Format / Size : A	
Title / Titre: <h1>OUTLINE</h1> FB60J30S(1-3)		Drawing / de dessin: <h1>OUT-380445</h1>	
Weight : Masse :		Rev : B Rév :	
Part / Article: SEE TABLE		Page : 1/1	

CATALOG NUMBER	NUMBER OF POLES	"A" DIMENSION
FB60J30S3	3	3.540 ±.030 [90.0 ±0.9]
FB60J30S2	2	2.360 ±.020 [60.0 ±0.6]
FB60J30S1	1	1.180 ±.010 [30.0 ±0.3]

Ce plan strictement confidentiel est la propriété exclusive de la société MERSEN sans l'autorisation écrite de laquelle il ne peut être ni reproduit, ni copié, ni communiqué à des tiers.
 This drawing and specifications there on is property of MERSEN and shall not be reproduced or copied or used in whole or in part as the base for manufacture or sale of item without written permission.

